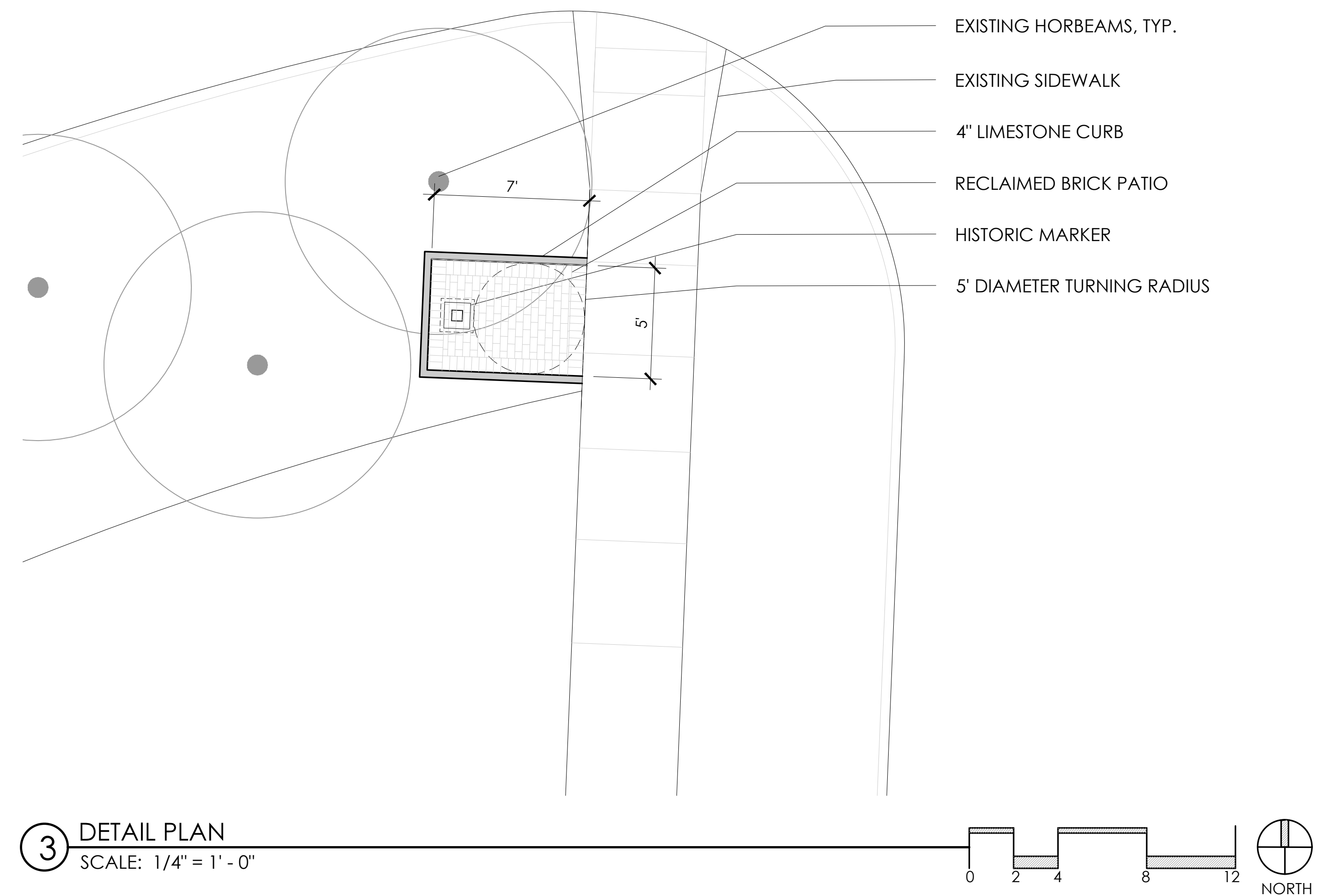




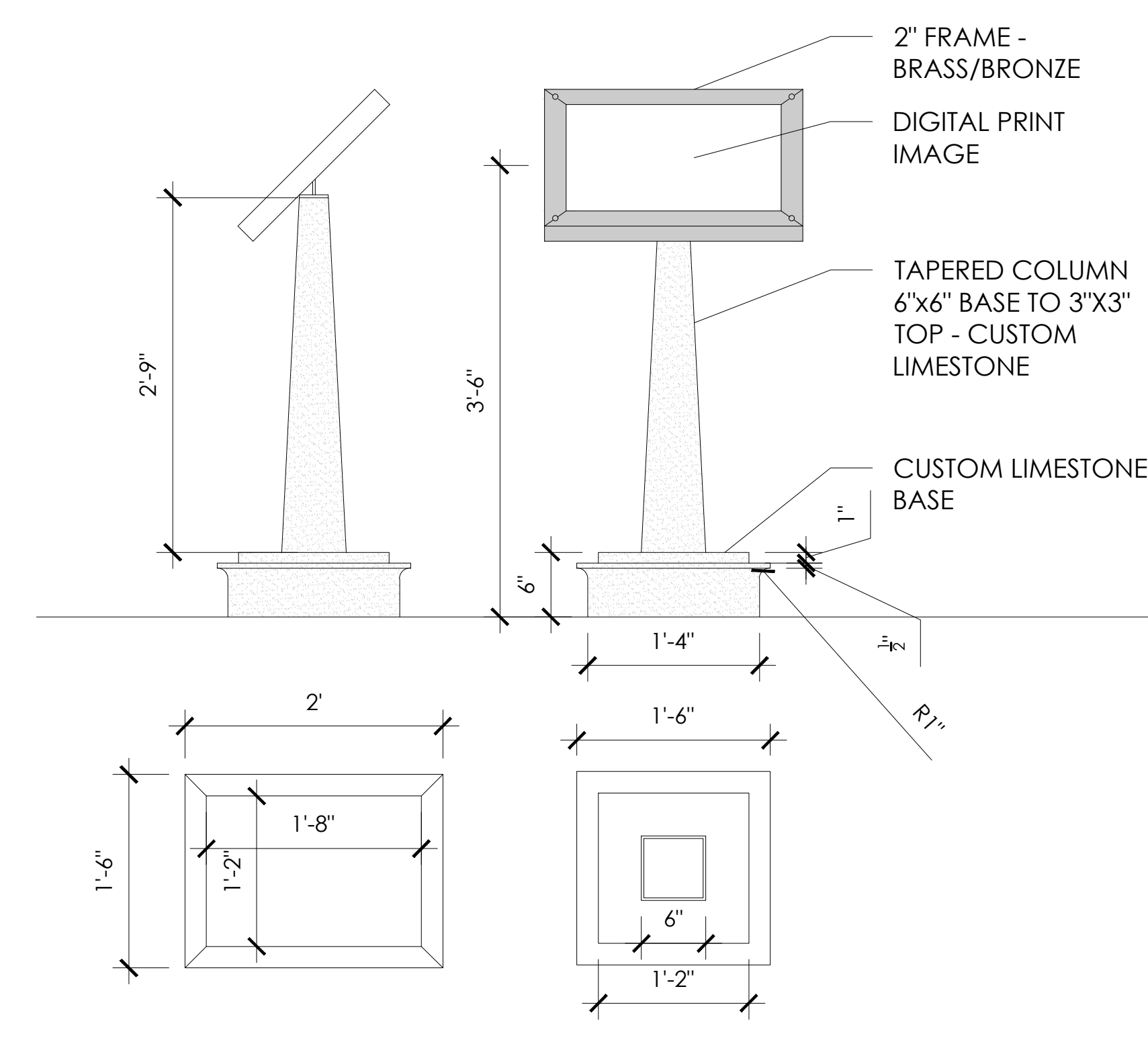
1 SITE PLAN  
SCALE: 1" = 30' - 0"



2 EXISTING SITE PHOTOS  
SCALE: N/A



3 DETAIL PLAN  
SCALE: 1/4" = 1' - 0"



4 HISTORIC MARKER  
SCALE: 1" = 1' - 0"



spruce

271 S. CASSINGHAM RD.  
COLUMBUS, OH 43209  
T (614) 300-0790

SETS & REVISIONS:

DATE	DESCRIPTION
1-16-19	CONCEPTUAL DESIGN
2-28-19	DESIGN REVISION

CAMP BUSHNELL  
HISTORIC MARKER

DREXEL CIRCLE  
BEXLEY, OH 43209

PROJECT NO: XXXX

LANDSCAPE PLAN

ALL DRAWINGS ARE THE ORIGINAL WORK OF SPRUCE AND MAY NOT BE DISCLOSED, USED OR DUPLICATED IN ANY WAY WITHOUT THE WRITTEN CONSENT OF SPRUCE.

L-1