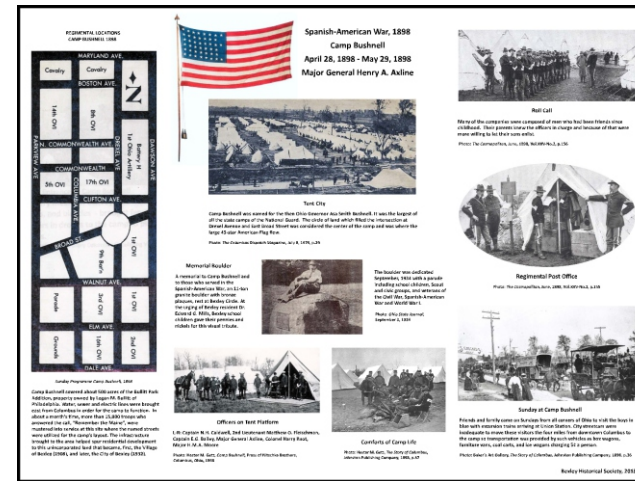
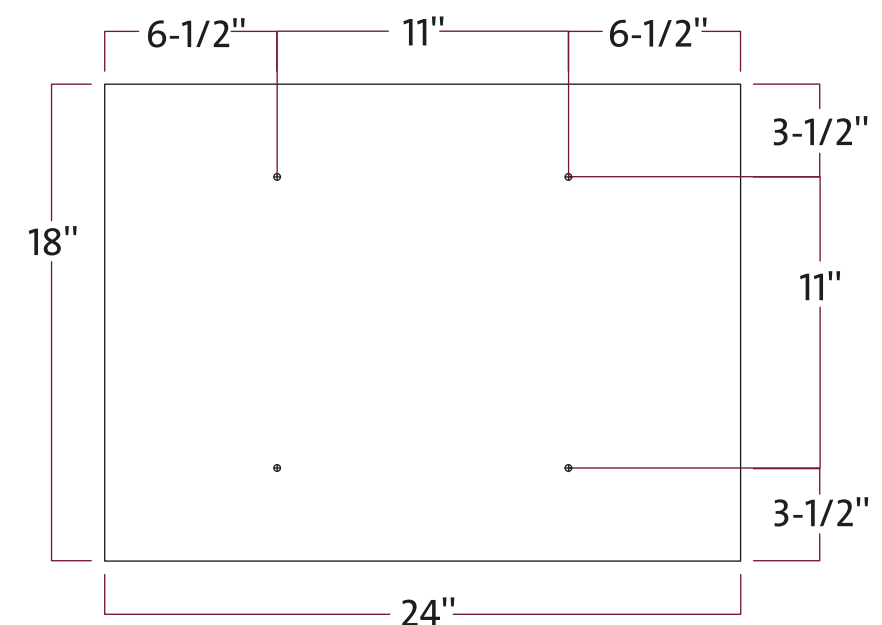


SINGLE POST PEDESTAL W/ GRAPHIC PANEL

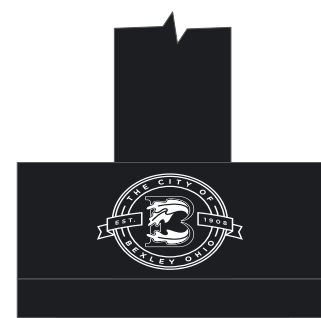
18" X 24" X 1/2" PANEL WITH DIGITAL PRINT
 3" X 3" X 42" TALL ALUMINUM TUBE WITH
 12" X 12" X 3/16" ALUMINUM MOUNTING PLATE
 & 6" X 6" X 3/8" ALUMINUM BASE PLATE
 6" X 6" X 2" TALL ALUMINUM BASE PLATE
 FASTENED TO CONCRETE BASE WITH
 (4) 3/8" SS EPOXY ANCHORS



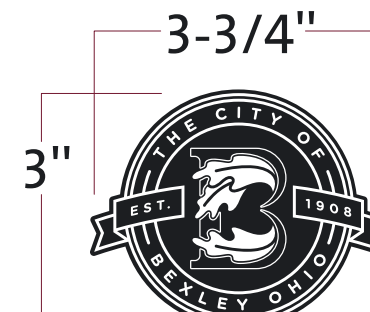
18" X 24" X 1/2" PANEL WITH BEVELED EDGE & DIGITAL PRINT



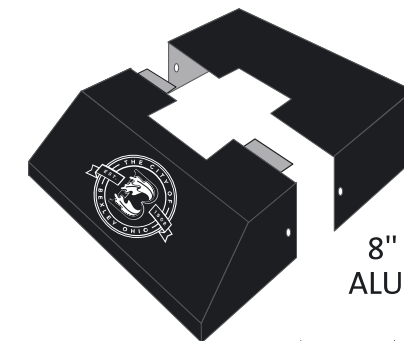
BACK OF PLAQUE HAS (4) HOLES TAPPED FOR 1/4" - 20 SS ANTI-VANDEL BUTTON HEAD SCREWS



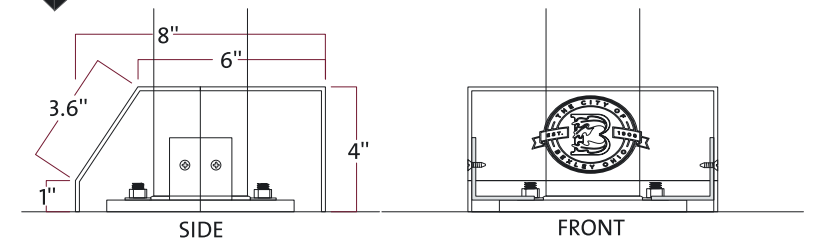
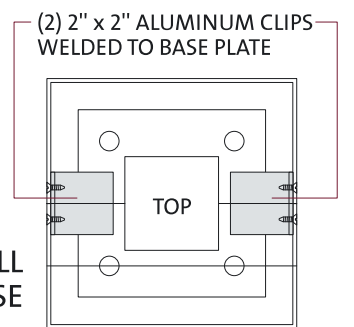
FRONT



ZINC ETCHED DECAL WITH BLACK BACKFILL BONDED TO SURFACE WITH METAL ADHESIVE

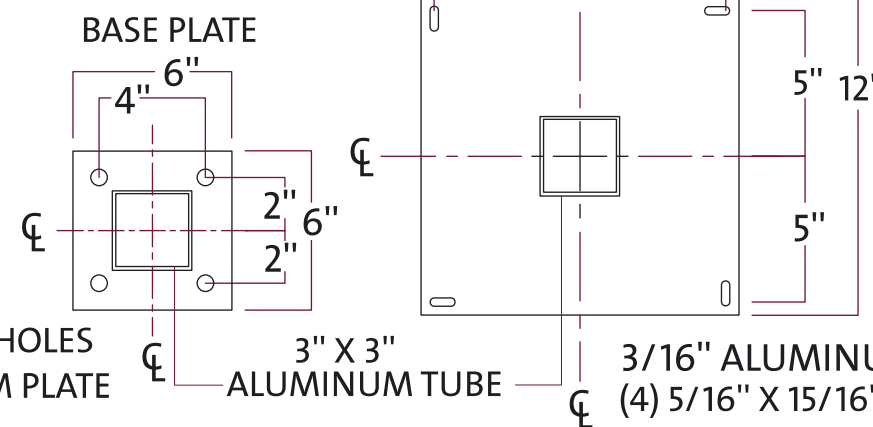


8" X 8" X 4" TALL ALUMINUM BASE COVER



SIDE

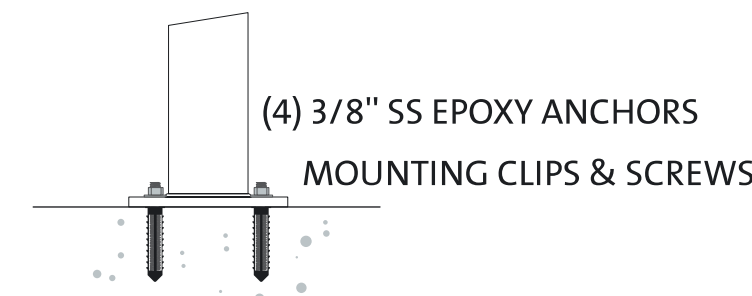
FRONT



1/2" HOLES
3/8" ALUMINUM PLATE

3" X 3" ALUMINUM TUBE

3/16" ALUMINUM PLATE
(4) 5/16" X 15/16" SLOTTED HOLES



(4) 3/8" SS EPOXY ANCHORS
MOUNTING CLIPS & SCREWS



THE DESIGNS AND/OR ENGINEERING CONCEPTS WITHIN THIS DOCUMENTATION WILL REMAIN THE EXCLUSIVE PROPERTY OF COLUMBUS SIGN COMPANY UNTIL APPROVED AND ACCEPTED THROUGH A PURCHASE AGREEMENT BY CLIENT NAMED ON THESE DRAWINGS AND COLUMBUS SIGN COMPANY. A SEPARATE PURCHASE AGREEMENT WILL BE REQUIRED TO RELEASE THE RIGHTS OF THE DRAWING ILLUSTRATIONS WITHIN THIS DOCUMENT. ALL COLOR AND ILLUSTRATIVE TECHNIQUES ARE FOR PRESENTATION ONLY.

CITY OF BEXLEY
 BEXLEY OH 43083

GaryH\RICK\Bexley\PDF

Project Layout
 Approved _____
 Approved as Noted

UL Yes No
 Install per NEC 600
 - Grounding
 - Bonding

SALES DESIGN G
 DWG JOB #

RICK P1REV1
 000

10042018
 01.1