



OUTDOOR LIFE, LLC.
d.b.a. Archadeck of West Columbus

ALL CONSTRUCTION PLANS ARE PROVIDED AS IS. ARCHADECK FRANCHISING CORPORATION DISCLAIMS ALL OTHER WARRANTIES, EXPRESS OR IMPLIED, INCLUDING MERCHANTABILITY OR FITNESS OF PURPOSE. ARCHADECK FRANCHISING CORPORATION IS NOT LIABLE FOR INCIDENTAL, SPECIAL, CONSEQUENTIAL, OR INDIRECT DAMAGES OF ANY KIND, INCLUDING, BUT NOT LIMITED TO, LOSS OF ANTICIPATED PROFITS, BUSINESS OPPORTUNITY OR OTHER ECONOMIC LOSS ARISING OUT OF THE USE OF SERVICES OR ANY CONSTRUCTION PLANS RECEIVED FROM ARCHADECK FRANCHISING CORPORATION, EVEN IF ARCHADECK FRANCHISING CORPORATION HAS BEEN ADVISED OF THE POSSIBILITY OF SUCH DAMAGE. IT IS THE BUILDER'S RESPONSIBILITY TO ENSURE THE ACCURACY, COMPLIANCE WITH APPLICABLE STATUTE(S) OR REGULATION(S), AND FITNESS OF PURPOSE OF ANY PLANS OR CONSTRUCTION INFORMATION RECEIVED FROM ARCHADECK FRANCHISING CORPORATION PRIOR TO THE USE THEREOF.

ARCHADECK FRANCHISING CORPORATION IS NOT ENGAGED IN RENDERING PROFESSIONAL SERVICES OR ADVICE. USE OF ANY CONSTRUCTION INFORMATION PROVIDED BY ARCHADECK FRANCHISING CORPORATION IS SUBJECT TO THE ADDITIONAL DISCLAIMERS AND CAVEATS THAT MAY APPEAR THROUGHOUT THE CONSTRUCTION PLANS, CONTRACTS AND OTHER DOCUMENTS PROVIDED TO THE BUILDER AND CUSTOMER.

DESIGN LOAD CRITERIA

FOOTING/FOUNDATION LOADS	P.S.F.	CEILING	P.S.F.
LIVE LOAD	50	WITH STORAGE (L/240)	20
DEAD LOAD	10	WITHOUT STORAGE (L/240)	10
TOTAL DESIGN LOAD	60		
DECK LOADS (L/240)	P.S.F.	WITH STORAGE (L/360)	P.S.F.
(DECK FRAMING)		WITHOUT STORAGE (L/360)	10
FRAMING DESIGN LIVE LOAD	60	DEAD LOAD	10
FRAMING DESIGN DEAD LOAD	10		
TOTAL FRAMING DESIGN LOAD	70		
FLOOR LOADS (L/360)	P.S.F.	ROOF LOADS (L/240)	P.S.F.
LIVE LOAD (LIVING)	40	SNOW LOAD	20
LIVE LOAD (SLEEPING)	30	DEAD LOAD	10
DEAD LOAD	10	TOTAL DESIGN LOAD	30
SPA LOADS (L/240)	P.S.F.	PERGOLA LOADS (L/240)	P.S.F.
LIVE LOAD	100	LIVE LOAD	10
DEAD LOAD	10	DEAD LOAD	5
TOTAL DESIGN LOAD	110	TOTAL DESIGN LOAD	15

ASSUMED SPA LOADING, VERIFY w/ SPA MANUFACTURER

NOTES:

- DESIGN CRITERIA:**
- THIS PROJECT HAS BEEN DESIGNED FOLLOWING THE REGULATIONS OF THE 2019 IRC (OHIO RESIDENTIAL CODE).
 - WORK TO MEET LOCAL, STATE AND APPLICABLE RULES AND REGULATIONS.
 - IN-GRADE DESIGN VALUES BASED ON AF&PA.
 - PROVIDE JOIST HANGERS @ ALL FLUSH FRAME CONDITIONS.
 - PRESUMPTIVE SAFE SOIL BEARING CAPACITY IS 1500 PSF.
 - FROST LINE 36".
 - CONNECTIONS TO EXISTING STRUCTURE FLASHED PER LOCAL CODE

LUMBER:

- ALL FRAMING LUMBER TO BE #2 S.P. (SOUTHERN PINE) OR BETTER, TREATED FOR EXTERIOR USE, PER LOCAL CODE U.N.O.
- ALL PSL ENGINEERED TYPE LUMBER TO BE TREATED FOR EXTERIOR USE: P.S.L. STRESS CLASS (2.0E, 2900Fb) P.S.I.
- ALL GLULAM ENGINEERED TYPE LUMBER TO BE TREATED FOR EXTERIOR USE: GLULAM STRESS CLASS (1.9E, 2600Fb) P.S.I.
- ALL LVL/MICROLLAM ENGINEERED TYPE LUMBER TO BE INTERIOR USE ONLY: L.V.L. STRESS CLASS (1.8E, 2600Fb) P.S.I.

CONCRETE:

- MINIMUM 28 DAY COMPRESSIVE STRENGTH = 3000 PSI.

Climatic and Geographic Design Criteria (2013 RCO Table 301.2 (1))

Roof Snow Load (lb per sq ft)	Wind Design (mph)	Seismic Design Category	Ice Shield Required	Flood Hazards	Winter Design Temp.
20	90	A	Yes	A 7/16/79 B 10/18/83	6 deg. F

Subject to Damage From:				Air Freezing Index	Mean Actual Temp.
Weathering	Frost Depth	Termites	Decay		
Severe	36"	Yes	Yes	1396	50.1 F.

SHEET INDEX

ST -SITE NOTE THAT NOT ALL JOBS REQUIRE ALL SHEETS

FD-# -FOUNDATION/FOOTINGS	RF-# -ROOF FRAMING
FF-# -FLOOR FRAMING	EV-# -ELEVATION
FP-# -FLOOR PLAN	SD-# -SECTION/DETAIL
CF-# -CEILING FRAMING	PL-# -PLAN

FLINN
056-101410
887 COLLEGE AVE
BEXLEY, OH, 43209

ABBREVIATIONS:

#B	- BEAM	GLU.	- GLULAM
#BB	- BAND BOARD	H.D.G.	- HOT DIPPED GALVANIZED
#C	- RAIL CAP LENGTH	HDR.	- HEADER
#CB	- COLLAR BEAM	INT.	- INTERIOR
#DB	- DOUBLE BAND	IN.	- INCH
#DJ	- DOUBLE JOIST	LBS.	- POUNDS
#DR	- DOUBLE RAFTER	L.L.	- LIVE LOAD
#F	- FENCE CAP LENGTH	L.V.L.	- LAMINATED VENEER LUMBER
#G	- GIRDER	LWR.	- LOWER
#HB	- HOUSE BAND	MANUF.	- MANUFACTURER
#HBE	- HOUSE BAND EXTENSION	MAX.	- MAXIMUM
#KB	- KING BEAM	MIN.	- MINIMUM
#QJ	- QUAD JOIST	MOD.	- MODIFIED
#RB	- RIDGE BEAM	N.T.S.	- NOT TO SCALE
#RP	- ROOF PLATE	O.C.	- ON CENTER
#TB	- TRIPLE BAND	OPT.	- OPTIONAL
#TJ	- TRIPLE JOIST	O.S.B.	- ORIENTED STRAND BOARD
ALT.	- ALTERNATE	P.L.	- POINT LOAD
ALUM.	- ALUMINUM	P.L.F.	- POUNDS PER LINEAR FOOT
APPROX.	- APPROXIMATE	P.S.F.	- POUNDS PER SQUARE FOOT
BD.	- BOARD	P.S.I.	- POUNDS PER SQUARE INCH
B.O.B.	- BOTTOM OF BEAM	P.S.L.	- PARALLEL STRAND LUMBER
☉	- CENTER LINE	P.T.	- PRESSURE TREATED
CJ	- CEILING JOIST	P.T.T.	- POUR TO TOP
C.M.U.	- CONCRETE MASONRY UNIT	P.V.C.	- POLY VINYL CHLORIDE
CONC.	- CONCRETE	RBD.	- RIDGE BOARD
CONT.	- CONTINUOUS	REQD.	- REQUIRED
DBL.	- DOUBLE	R.O.	- ROUGH OPENING
DIA.	- DIAMETER	RSW	- RIDGE SUPPORT WALL
DIM.	- DIMENSION	S.F.	- SQUARE FOOT/FEET
D.L.	- DEAD LOAD	S.S.	- STAINLESS STEEL
DN.	- DOWN	SQ.	- SQUARE
DTL.	- DETAIL	T&G	- TONGUE & GROOVE
ELEC.	- ELECTRICAL	T.O.B.	- TOP OF BEAM
ELEV.	- ELEVATION (SEE T.O.D.)	T.O.C.	- TOP OF CONCRETE
EQUIV.	- EQUIVALENT	T.O.D.	- TOP OF DECK
EXT.	- EXTERIOR	TYP.	- TYPICAL
FIN.	- FINISH	U.N.O.	- UNLESS NOTED OTHERWISE
FLR.	- FLOOR	UPR.	- UPPER
FND.	- FOUNDATION	W/	- WITH
FT.	- FOOT/FEET	W/O	- WITHOUT
F.V.	- FOUNDATION VENT		

SYMBOL LEGEND

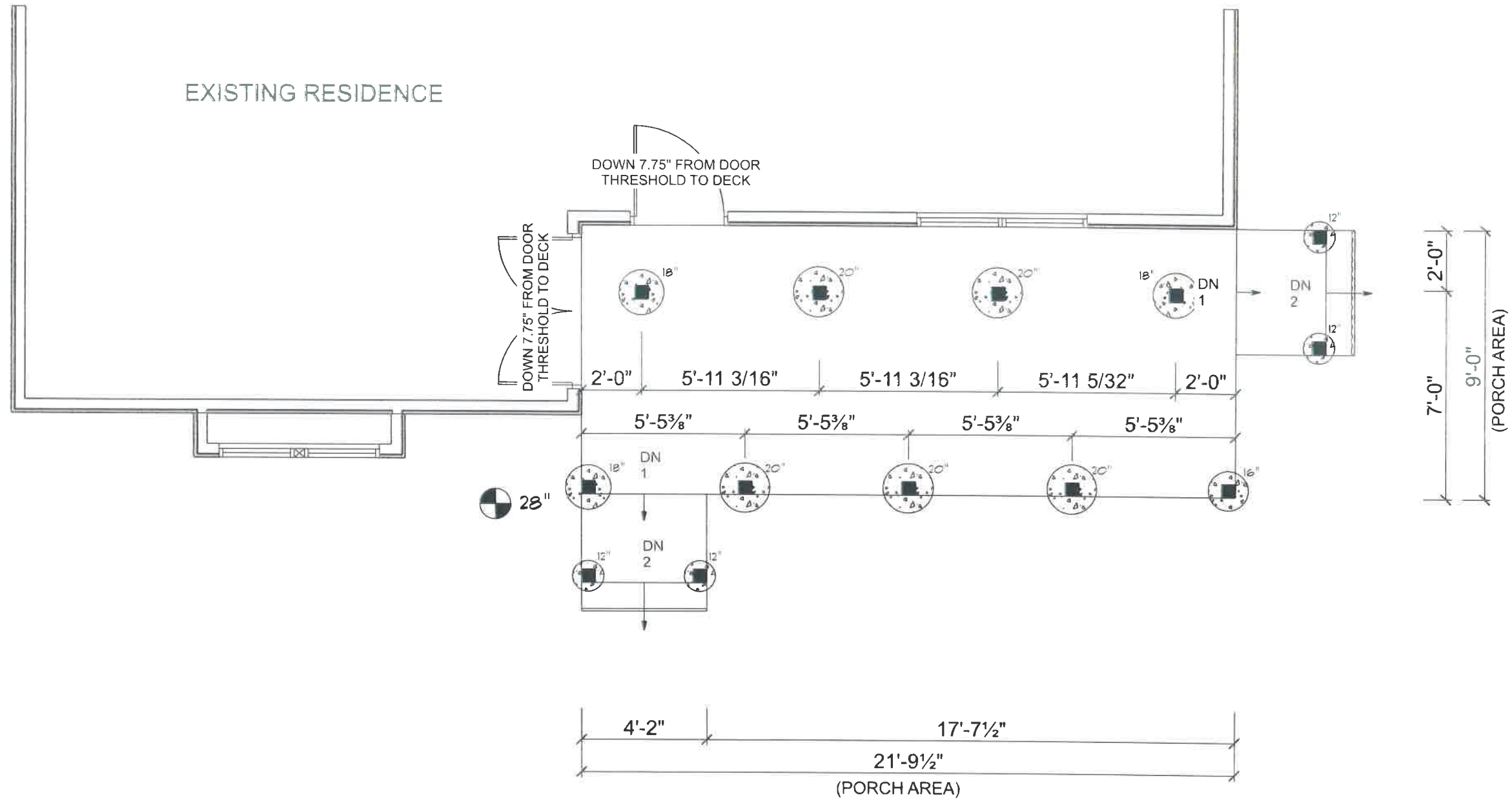
<p>T.O.D. TAG</p> <p>XX" ELEVATION AT POINT OF TAG</p>	<p>DETAIL TAG</p> <p>DETAIL NUMBER SHEET</p>
<p>STAIR TAG</p> <p># DN</p>	<p>SECTION TAG</p> <p>SECTION CUT PLANE DIRECTION OF VIEW</p>
<p>■ - 4 x 4 DECK COLUMN</p> <p>■ - 4 x 6 DECK COLUMN</p> <p>■ - 6 x 6 DECK COLUMN</p>	
<p>□ - RAIL POST</p> <p>☒ - FENCE POST</p> <p>☒ - ROOF POST/ PERGOLA POST</p> <p>☒ - STUD LOCATION</p>	
<p>X - X BRACING</p> <p>⊙ - PARTING BOARD LOCATION AND CENTER LINE</p>	

CONTACT

FOR ANY QUESTIONS OR CONCERNS PLEASE CONTACT:
OUTDOOR LIFE, LLC.
1491 Polaris Parkway, Suite #172, Columbus, OH 43240
PHONE: (740) 879-3730

ENGINEER OF RECORD (AS APPLICABLE)

DRAWINGS PREPARED BY: ARCHADECK FRANCHISING CORPORATION
CONSTRUCTION & DRAFTING DEPARTMENT
2924 EMERYWOOD PARKWAY, SUITE 101
RICHMOND, VA 23294
© 2020 ARCHADECK FRANCHISING CORPORATION
UNAUTHORIZED DUPLICATION IS A VIOLATION OF ALL APPLICABLE LAWS



FOOTING LEGEND
12" FOOTING(S) = 8" THICK
16" FOOTING(S) = 8" THICK
18" FOOTING(S) = 9" THICK
20" FOOTING(S) = 10" THICK

GENERAL DECK NOTES
12" dia. (ROUND) x 8" thick POURED IN PLACE FOOTING (TYPICAL), UNLESS NOTED OTHERWISE. SEE PLAN FOR LOCATION(S) #201-B
6 x 6 PT. COLUMN (TYPICAL), TREATED FOR GROUND CONTACT #207

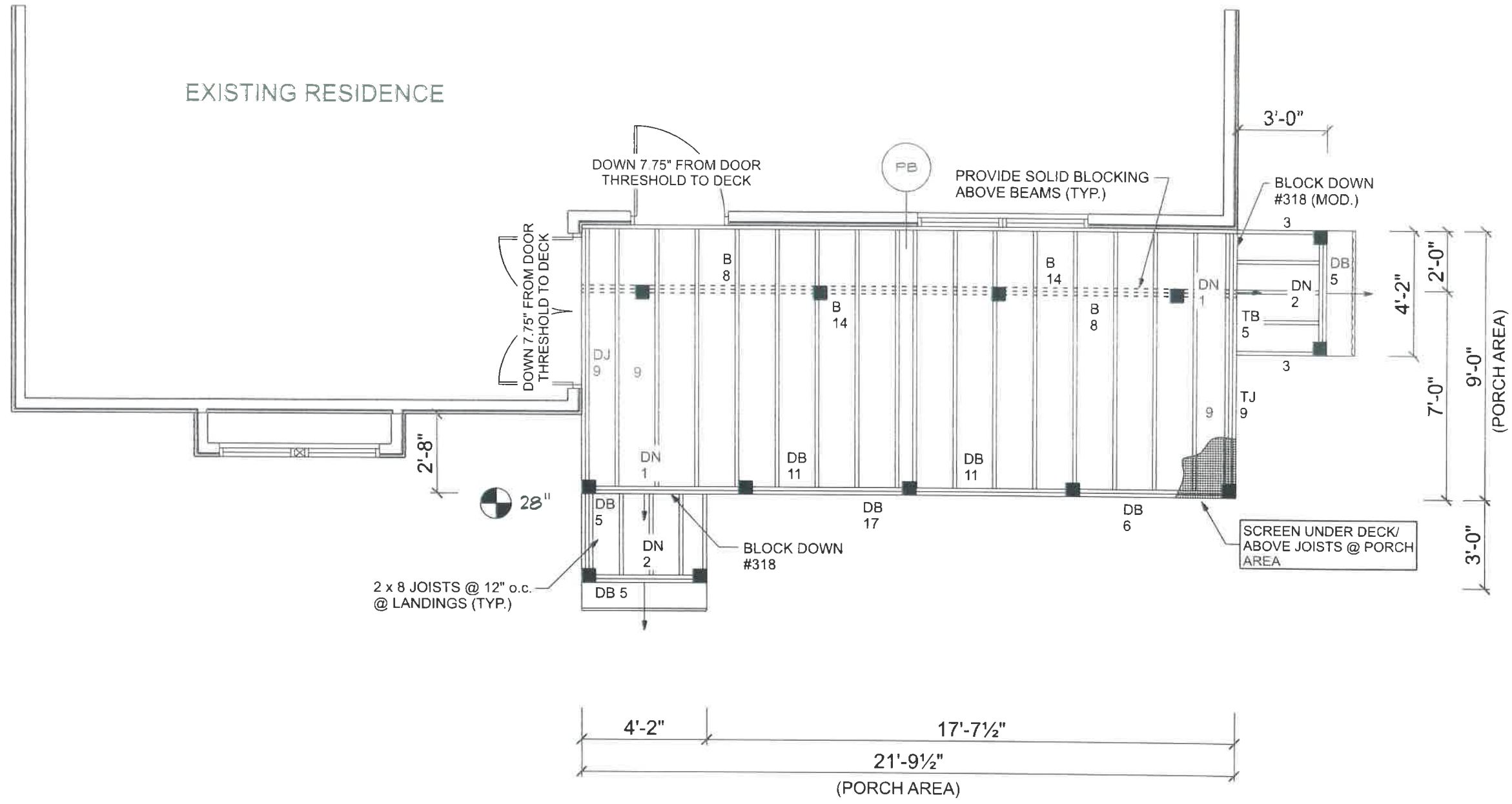
archadeck®
 outdoor living
 of
 West Columbus

SHEET DESCRIPTION
 SHEET:
2/6
 FD-1
 SCALE: 1/4" = 1'-0"

Prepared by:
 Archadeck Franchising Corporation
 2426 Old Brick Rd
 Glen Allen, VA 23060

Construction & Drafting Department
 ©2021 Archadeck Franchising Corporation
 All rights reserved. Unauthorized
 duplication is a violation of
 all applicable laws.

056-FLINN-101410
 887 COLLEGE AVE
 BEXLEY, OH 43209
 DRAWN BY: JTF EXT: 235
 JANUARY 21, 2021



archadeck®
 outdoor living
 of
 West Columbus

SHEET DESCRIPTION

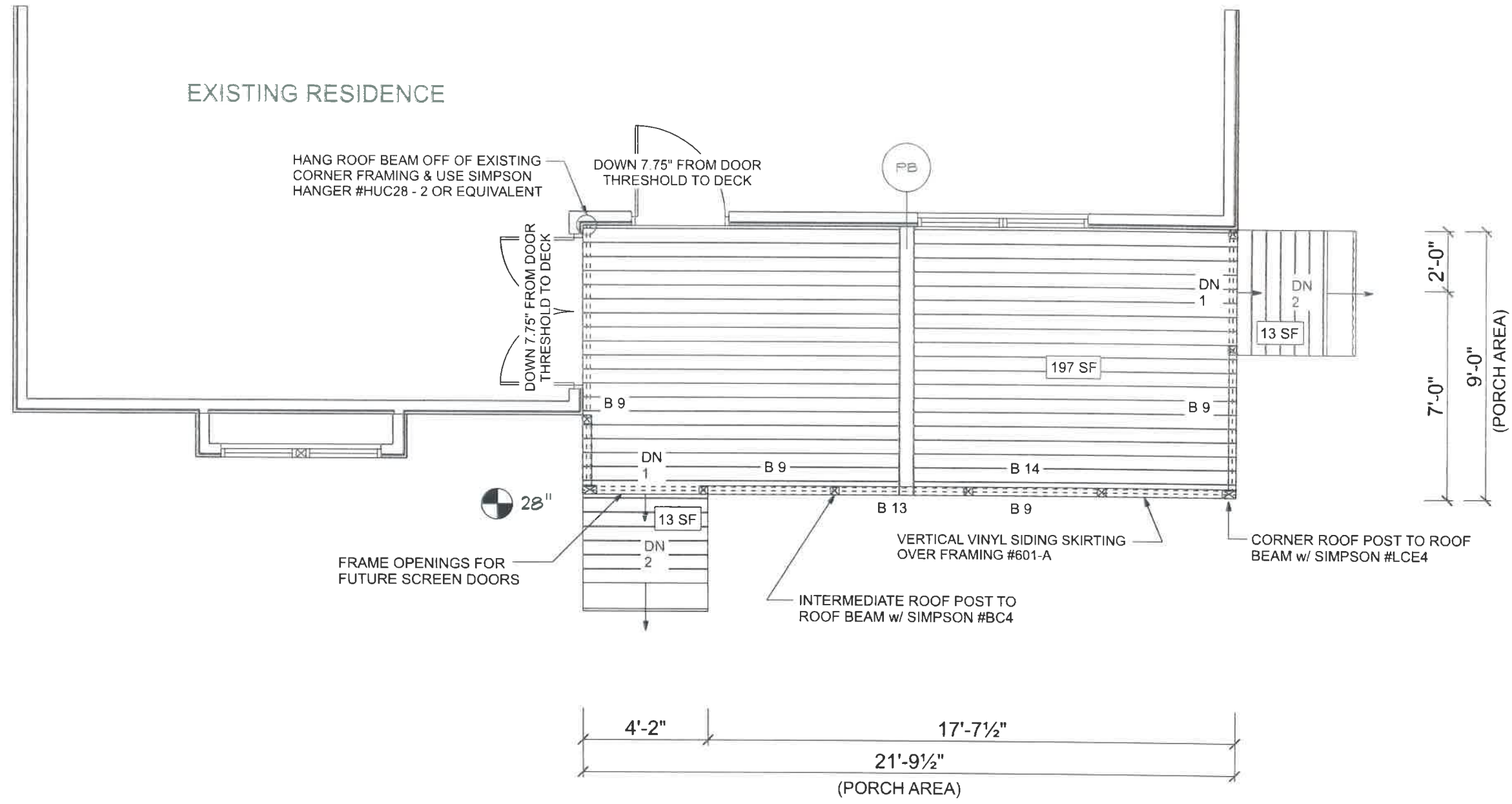
SHEET:
3/6
 FF-1
 SCALE: 1/4" = 1'-0"

Prepared by:
 Archadeck Franchising Corporation
 2426 Old Brick Rd
 Glen Allen, VA 23060

Construction & Drafting Department
 ©2021 Archadeck Franchising Corporation
 All rights reserved. Unauthorized
 duplication is a violation of
 all applicable laws.

056-FLINN-101410
 887 COLLEGE AVE
 BEXLEY, OH 43209
 DRAWN BY: JTF EXT: 235
 JANUARY 21, 2021

GENERAL DECK NOTES	
(2) 2 x 10 P.T. BEAM(S), SEE PLAN FOR LOCATION(S) #210-B	
2 x 8 P.T. JOISTS @ 16" O.C. (TYP), U.N.O.	
2 x 8 P.T. SINGLE EDGE BAND #210-B	
(2) 2 x 8 P.T. BAND(S), SEE PLAN FOR LOCATION(S) #211	
DECK IS ENTIRELY FREESTANDING	



archadeck®
 outdoor living
 of
 West Columbus

SHEET DESCRIPTION

SHEET:
 4/6
 FP-1
 SCALE: 1/4" = 1'-0"

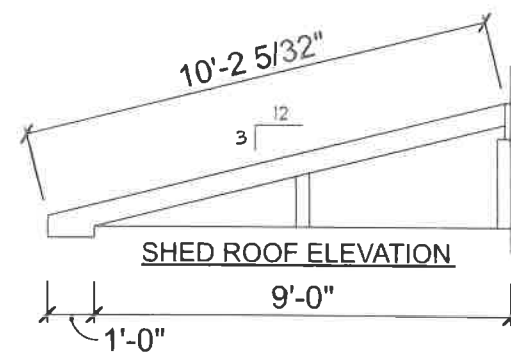
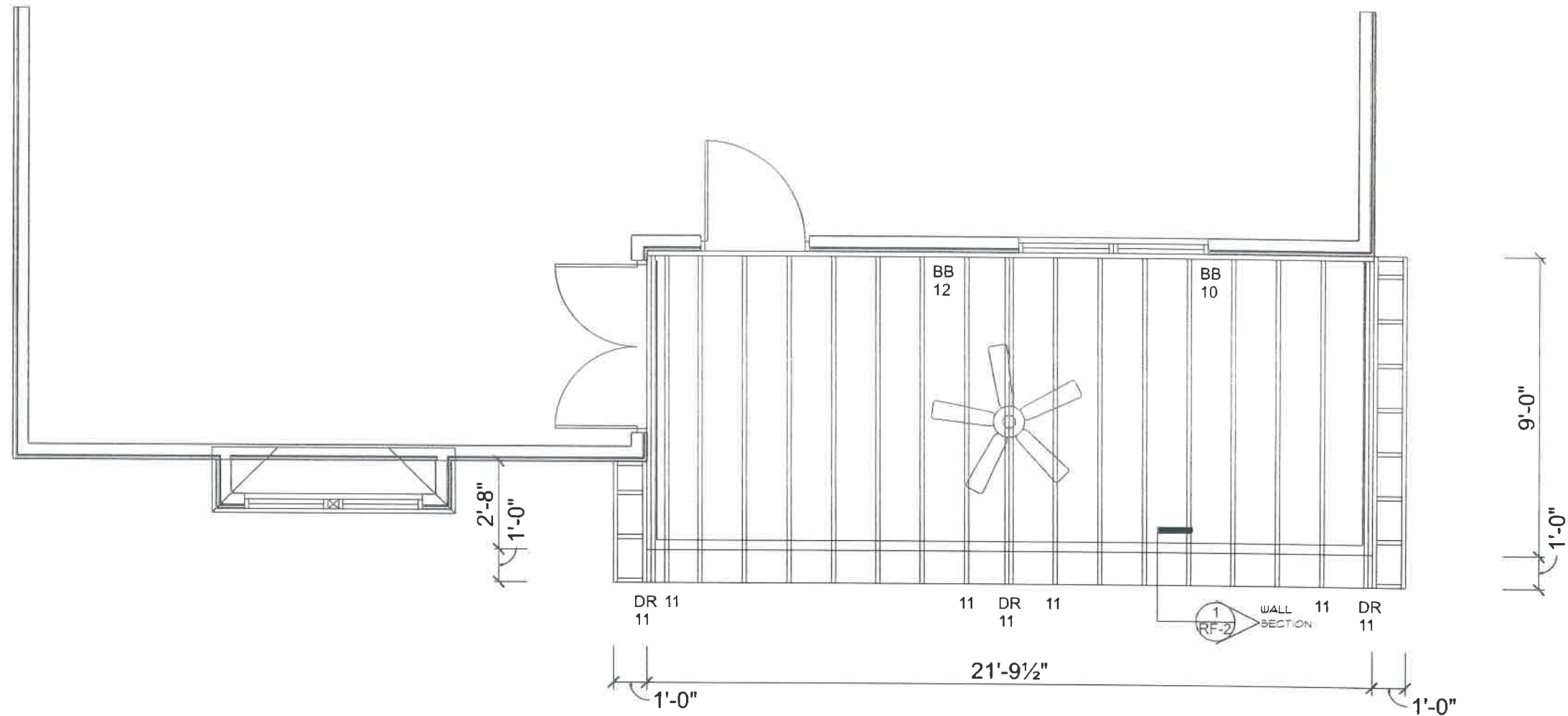
Prepared by:
 Archadeck Franchising Corporation
 2426 Old Brick Rd
 Glen Allen, VA 23060

Construction & Drafting Department
 ©2021 Archadeck Franchising Corporation
 All rights reserved. Unauthorized
 duplication is a violation of
 all applicable laws.

056-FLINN-101410
 887 COLLEGE AVE
 BEXLEY, OH 43209
 DRAWN BY: JTF EXT: 235
 JANUARY 21, 2021

GENERAL PORCH NOTES
ALUMINUM SCREEN INSERTS w/ 24" HIGH KNEEWALL w/ T&G CEDAR INTERIOR FINISH & VINYL SIDING EXTERIOR FINISH
(2) 2 x 8 P.T. ROOF BEAM w/ 2 x 4 TOP & BOTTOM PLATES (TYP.) #2306-A
4 x 4 P.T. ROOF POST w/ 4 x 6 CORNER POST (TYP.) #2302-A

GENERAL DECK NOTES
5/4 x 6 T.T. RESERVE COMPOSITE DECKING w/ CONCEALoc FASTENERS
T.T. COMPOSITE 2-BOARD BOX STEP @ GRADE w/ STAKES #408-B w/ 5/4 x 6 TREADS & 1 x 8 RISERS w/ 2 x 8 BLOCKING.



GENERAL PORCH NOTES
3:12 SHED ROOF w/ BAND BOARD ATTACHMENT
2 x 10 BAND BOARD
2 x 6 RAFTERS @ 16" O.C. (TYP.)
1 x 6 PAULOWNIA FASCIA/RAKE BOARD #2413
CATHEDRAL CEILING w/ ENCLOSED RAFTERS & 1x6 T&G CEILING FINISH #2707-B
CLOSED GABLE END (T&G CEDAR-INTERIOR FINISH, VINYL SIDING EXTERIOR FINISH) #2408-8
8'-0" FROM T.O.D. TO TOP OF ROOF BEAM OR MATCH EXISTING SOFFIT (TYP.)
3/8" PLYWOOD ENCLOSED SOFFIT w/ 2 x 4 LOOKOUTS & 12" OVERHANG #2413-A

archadeck®
 outdoor living
 of
 West Columbus

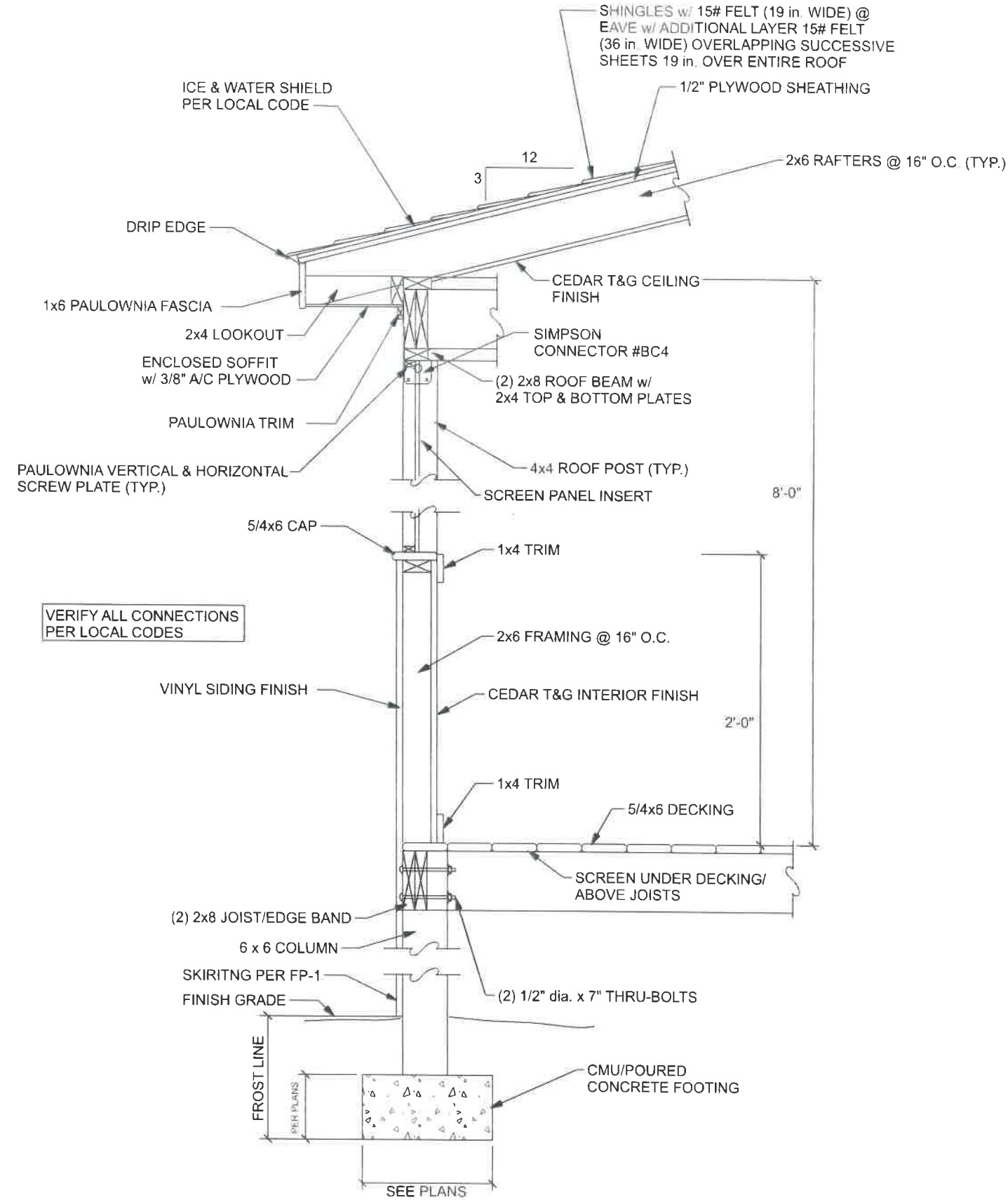
SHEET DESCRIPTION

SHEET:
 5/6
 RF-1
 SCALE: 1/4" = 1'-0"

Prepared by:
 Archadeck Franchising Corporation
 2426 Old Brick Rd
 Glen Allen, VA 23060

Construction & Drafting Department
 ©2021 Archadeck Franchising Corporation
 All rights reserved. Unauthorized
 duplication is a violation of
 all applicable laws.

056-FLINN-101410
 887 COLLEGE AVE
 BEXLEY, OH 43209
 DRAWN BY: JTF EXT: 235
 JANUARY 21, 2021

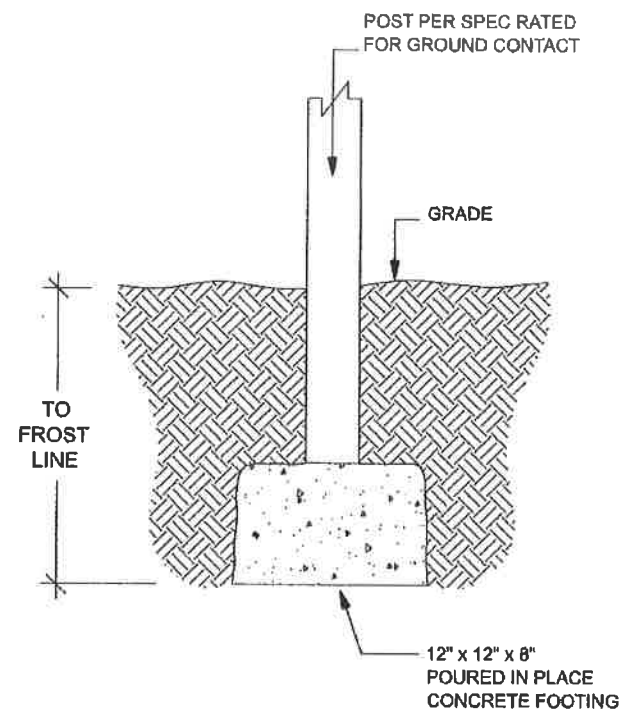


SHEET DESCRIPTION
 SHEET:
 6/6
 RF-2
 SCALE: 1/4" = 1'-0"

Prepared by:
 Archadeck Franchising Corporation
 2426 Old Brick Rd
 Glen Allen, VA 23060

Construction & Drafting Department
 ©2021 Archadeck Franchising Corporation
 All rights reserved. Unauthorized
 duplication is a violation of
 all applicable laws

056-FLINN-101410
 887 COLLEGE AVE
 BEXLEY, OH 43209
 DRAWN BY: JTF EXT: 235
 JANUARY 21, 2021



archadeck[®]

© 2016 Archadeck Franchising Corporation

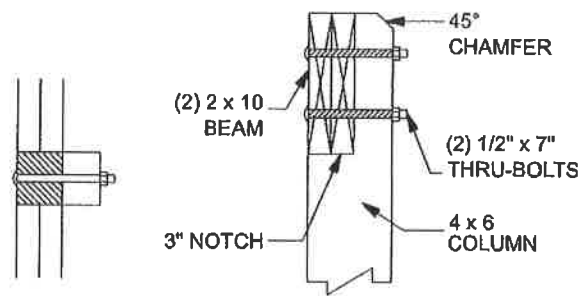
DETAIL #201-B POUR IN PLACE FOOTING

SCALE: N.T.S.

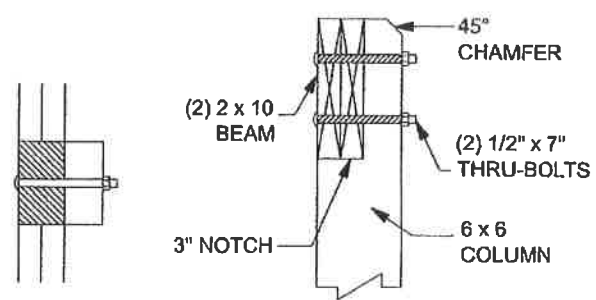
REVISION DATE: 01/15/2018

These drawings are intended only as a guide for the construction of certain generic elements in building codes and regulations, and specific site conditions. These drawings may need to be modified by the builder to comply with each local codes, regulations, and site conditions. Due to the generic nature of these drawings certain items may not be intended for use on a specific project.

4 x 6 COLUMN NOTCH



6 x 6 COLUMN NOTCH



archadeck®

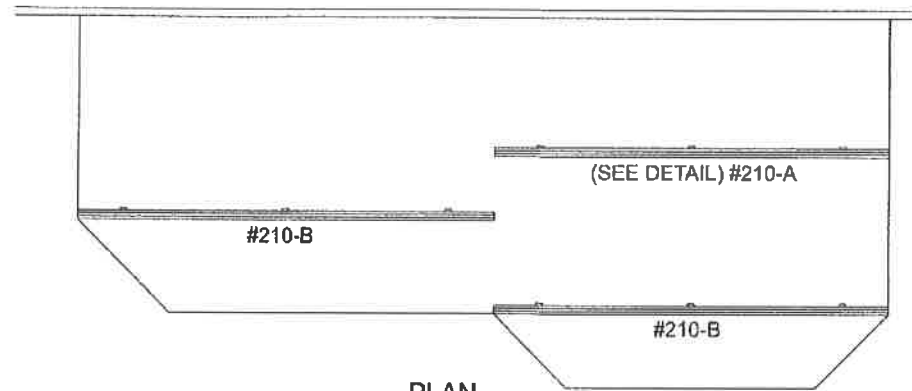
©2016 Archadeck Franchising Corporation

DETAIL #207-B COLUMN TO BEAM CONNECTION,
4 x 6 & 6 x 6

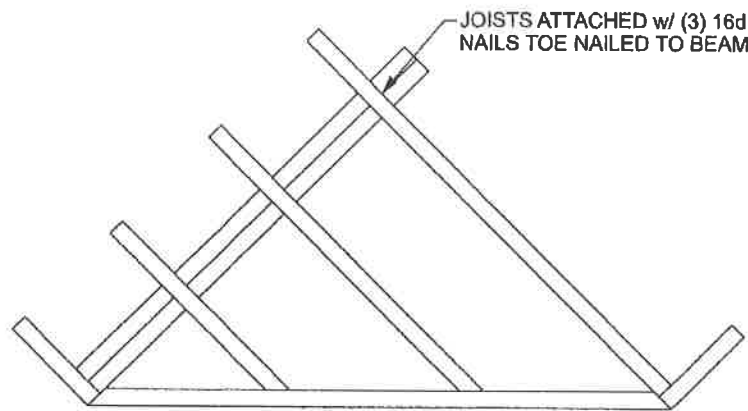
SCALE: 1" = 1'

REVISION DATE: 01/15/2018

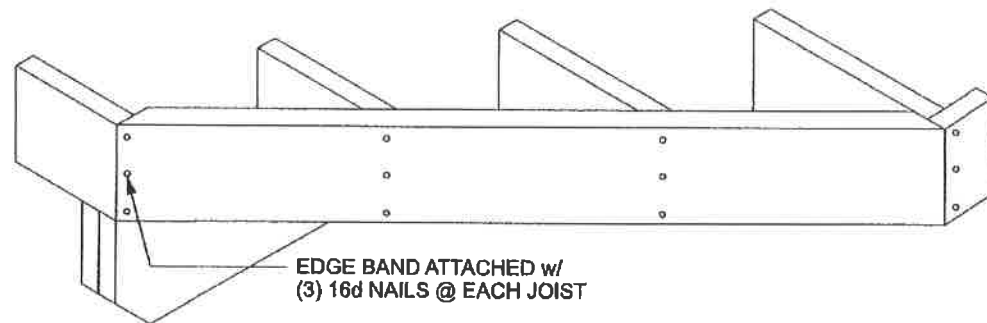
These drawings are intended only as a guide for the construction of certain generic elements in building codes and regulations, and specific site conditions. These drawings may need to be modified by the builder to comply with such local codes, regulations, and site conditions. Due to the generic nature of these drawings certain items may not be intended for use on a specific project.



PLAN
SCALE: 1/8" = 1'



PLAN
SCALE: 3/4" = 1'



ISOMETRIC
SCALE: 3/4" = 1'

archadeck®

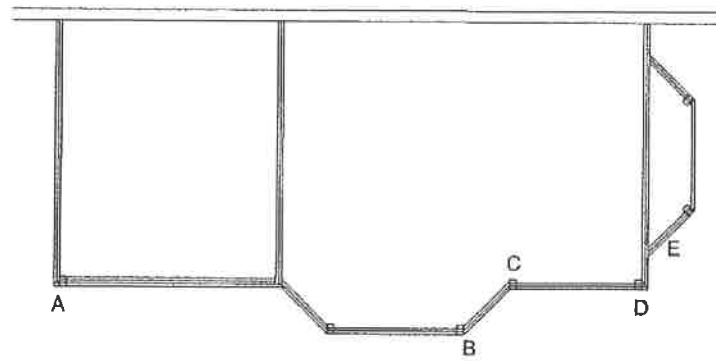
© 2016 Archadeck Franchising Corporation

DETAIL #210-B JOIST & EDGE BAND
CONNECTION @ BEAM

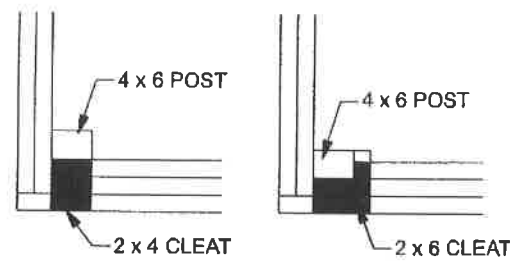
SCALE: VARIES

REVISION DATE: 01/15/2018

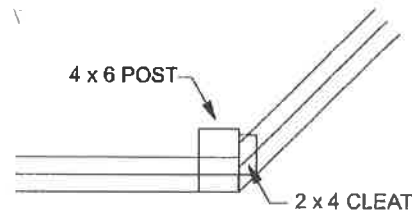
These drawings are intended only as a guide for the construction of certain generic elements in building codes and regulations, and specific site conditions. These drawings may need to be modified by the builder to comply with such local codes, regulations, and site conditions. Due to the generic nature of these drawings certain items may not be intended for use on a specific project.



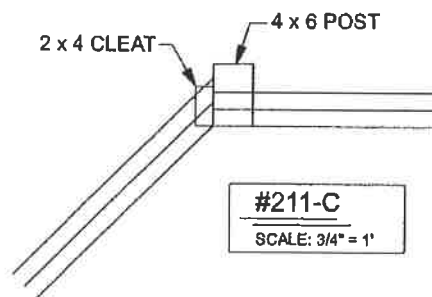
PLAN
SCALE: 1/2" = 1'



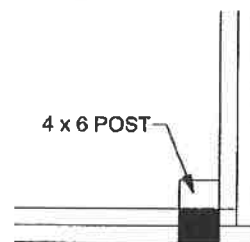
#211-A
SCALE: 3/4" = 1'



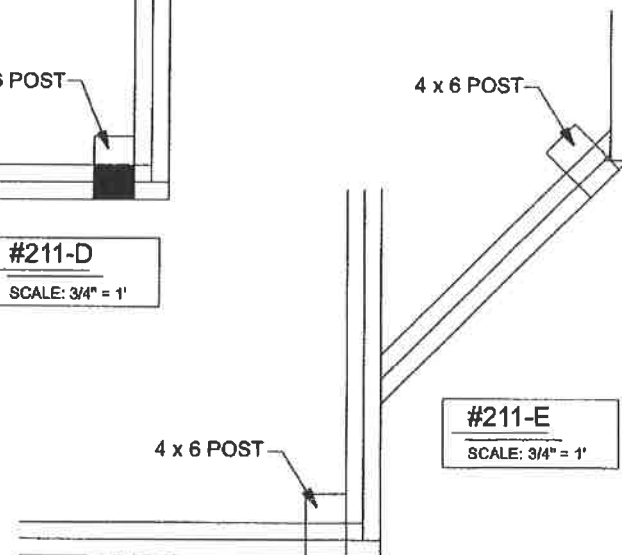
#211-B
SCALE: 3/4" = 1'



#211-C
SCALE: 3/4" = 1'



#211-D
SCALE: 3/4" = 1'



#211-E
SCALE: 3/4" = 1'

NOTES:

- 4 x 6 POSTS ASSUMED OPTIONAL
- 4 x 4 POSTS w/ 2 x 4 CLEAT
- (2) 2 x 8 EDGE BAND ATTACHED w/ (3) 16d NAILS @ JOIST & JOIST HANGER OR FRAMING ANGLES ASSUMED. (USE (2) 2 x 10 EDGE BAND w/ 2 x 2 LEDGER BOARD AS OPTION)
- REFER TO STRUCTURE PLAN FOR SPECIFIC MATERIALS & SIZES

archadeck®

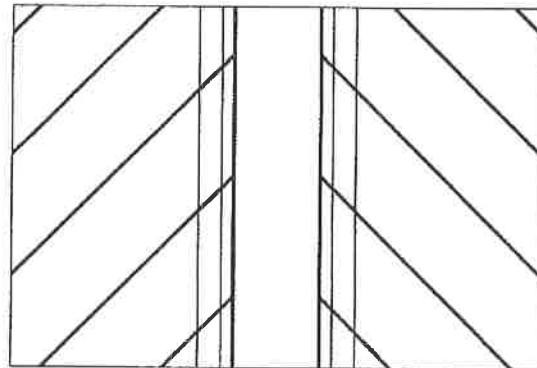
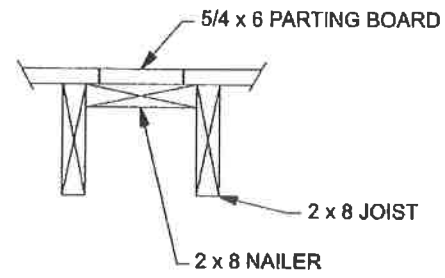
©2016 Archadeck Franchising Corporation

DETAIL #211 TYPICAL DOUBLE BAND FRAMING

SCALE: VARIES

REVISION DATE: 01/15/2018

These drawings are intended only as a guide for the construction of certain generic elements in building codes and regulations, and specific site conditions. These drawings may need to be modified by the builder to comply with such local codes, regulations, and site conditions. Due to the generic nature of these drawings certain items may not be intended for use on a specific project.



archadeck[®]

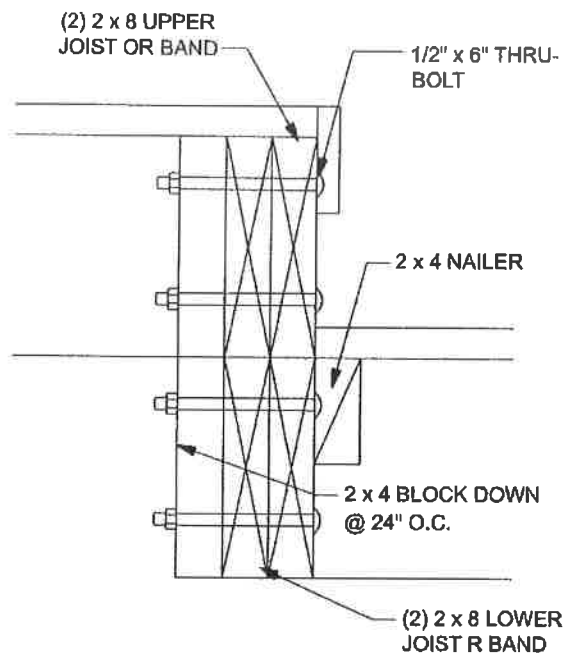
©2016 Archadeck Franchising Corporation

DETAIL #313-A PARTING BOARD w/ FULL 5/4 x 6

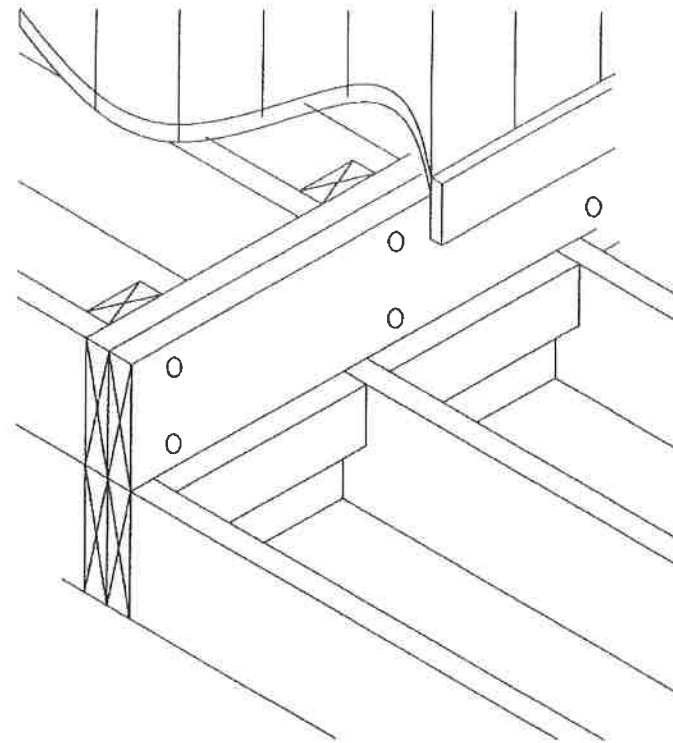
SCALE: 1" = 1'

REVISION DATE: 01/15/2018

These drawings are intended only as a guide for the construction of certain generic elements in building codes and regulations, and specific site conditions. These drawings may need to be modified by the builder to comply with such local codes, regulations, and site conditions. Due to the generic nature of these drawings certain items may not be intended for use on a specific project.



SECTION
SCALE: 2" = 1'



ISOMETRIC
SCALE: 1" = 1'

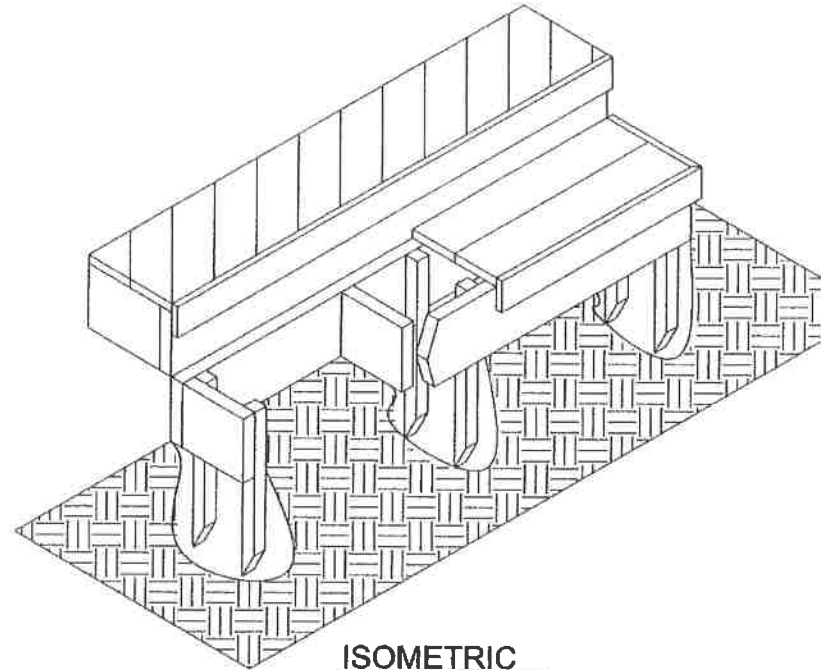
archadeck®
© 2016 Archadeck Franchising Corporation

DETAIL #318 BLOCK DOWN

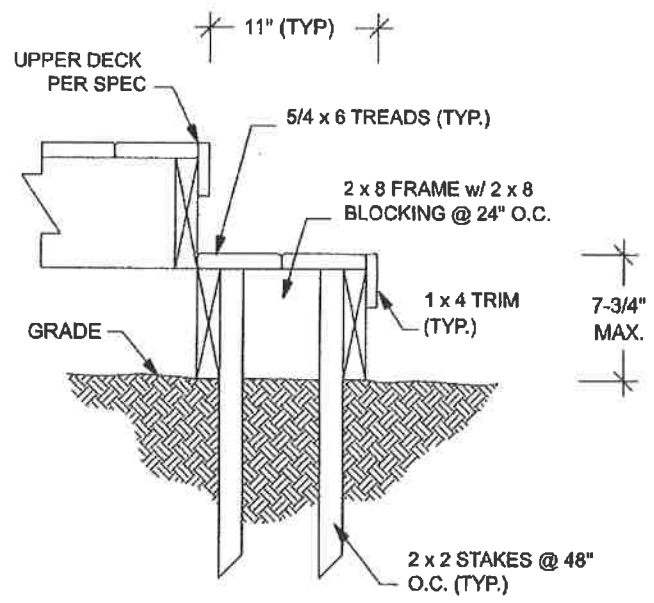
SCALE: VARIES

REVISION DATE: 01/15/2018

These drawings are intended only as a guide for the construction of certain generic elements in building codes and regulations, and specific site conditions. These drawings may need to be modified by the builder to comply with such local codes, regulations, and site conditions. Due to the generic nature of these drawings certain items may not be intended for use on a specific project.



ISOMETRIC
SCALE: 1/2"=1'



SECTION
SCALE: 1"=1'

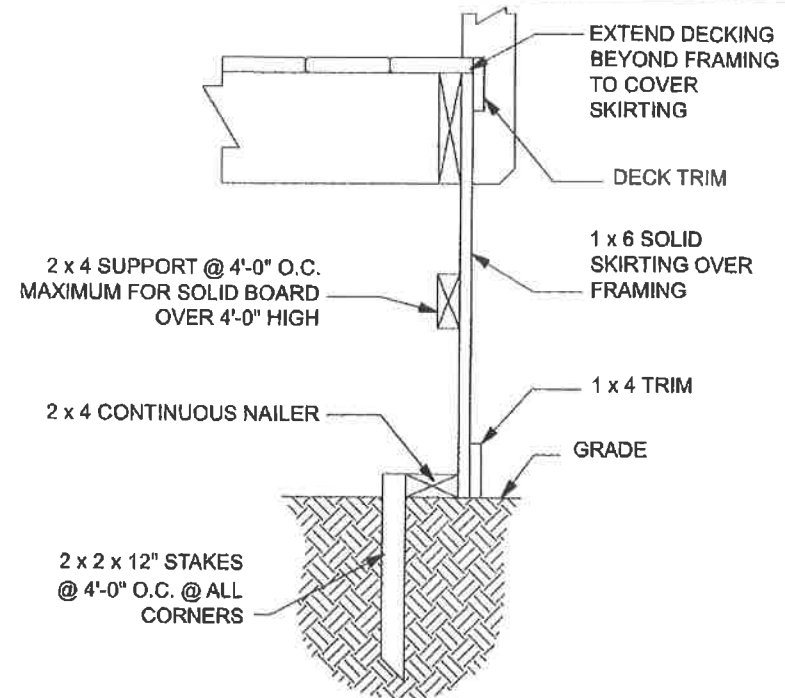
NOTE: TREAD DEPTH WILL VARY DEPENDING ON ACTUAL WIDTH OF TREAD MATERIAL. 2 x 6 FRAMING MATERIAL OPTIONAL.

archadeck®
©2016 Archadeck Franchising Corporation

DETAIL #408-B (2-BOARD BOX STEP @ GRADE w/ STAKES)

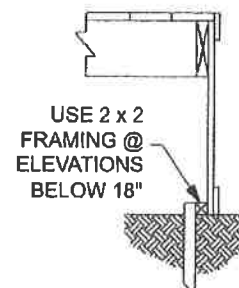
SCALE: VARIES REVISION DATE: 01/15/2018

These drawings are intended only as a guide for the construction of certain generic elements in building codes and regulations, and specific site conditions. These drawings may need to be modified by the builder to comply with such local codes, regulations, and site conditions. Due to the generic nature of these drawings certain items may not be intended for use on a specific project.



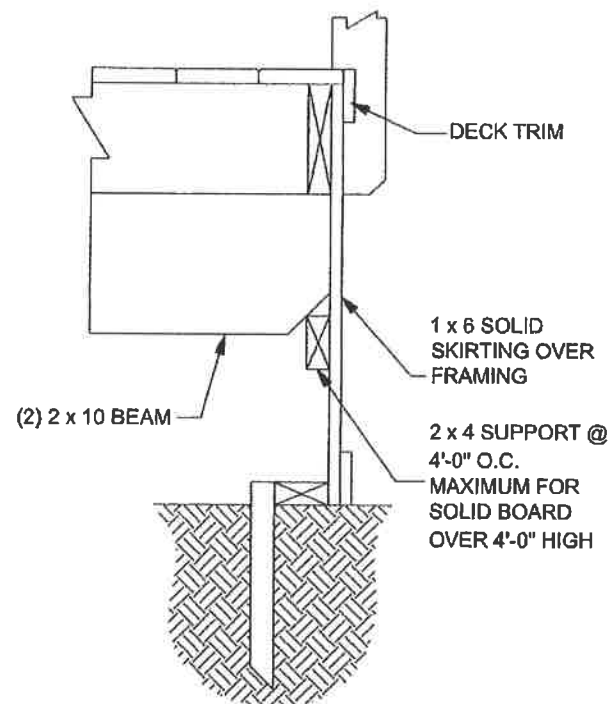
SOLID BOARD SKIRTING OVER FRAMING

SCALE 1" = 1'



SOLID BOARD SKIRTING LOW TO GRADE

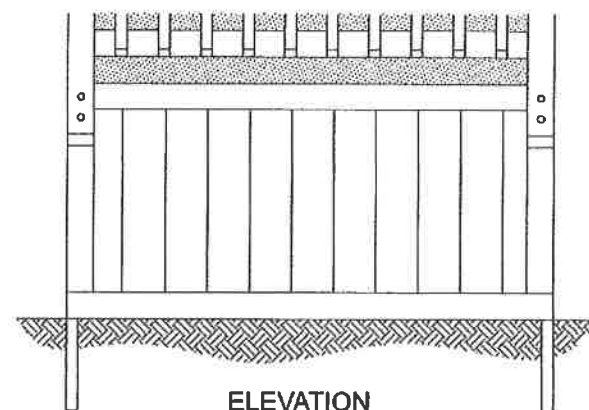
SCALE 1/2" = 1'



SOLID BOARD SKIRTING OVER FRAMING @ BEAM

SCALE 1" = 1'

NOTE: @ BEAMS USE DOUBLE EDGE BANDS/ RIM JOISTS AND LET THE SECOND MEMBER OVERHANG AS REQUIRED FOR SKIRTING



ELEVATION

SCALE 1/2" = 1'

archadeck®

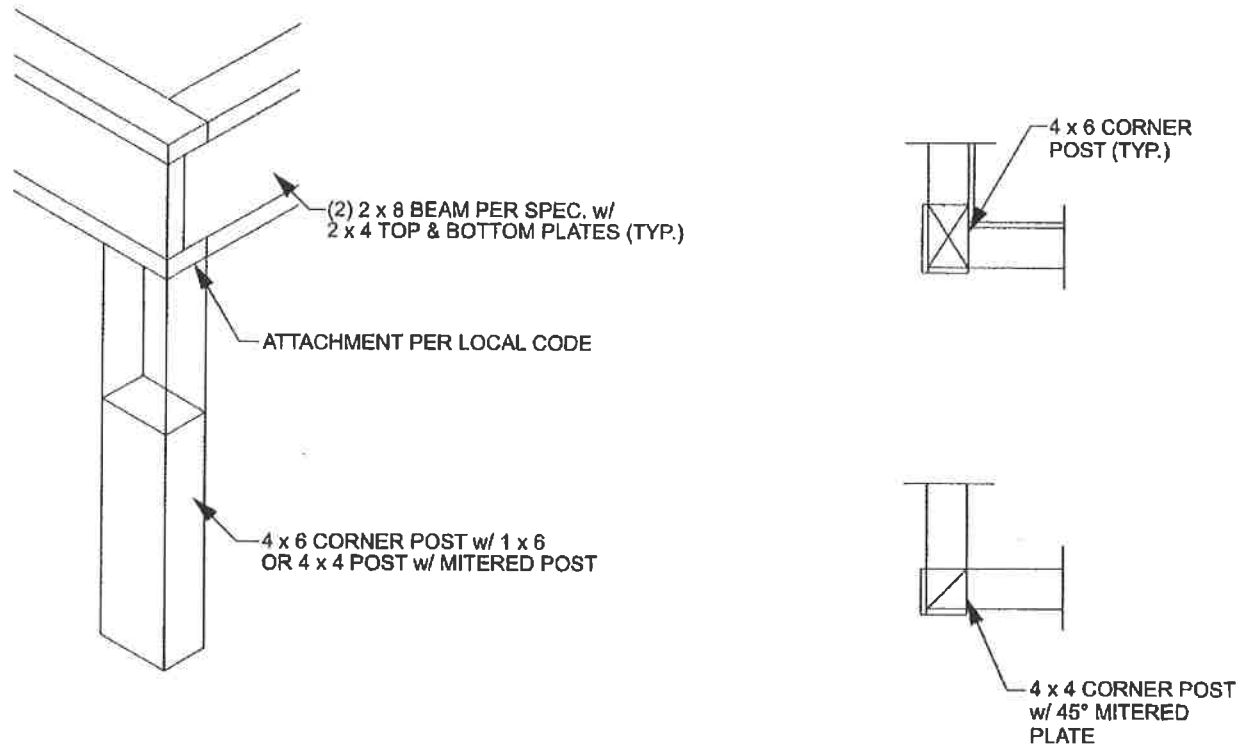
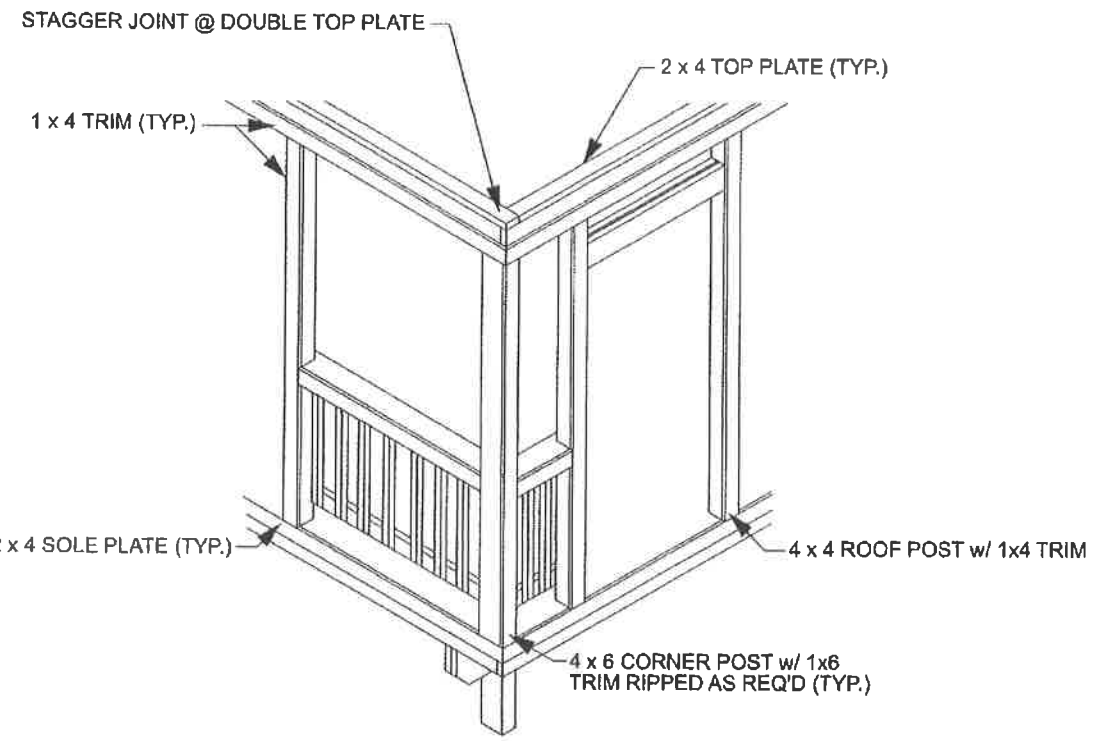
©2016 Archadeck Franchising Corporation

DETAIL #601-A (VERTICAL SOLID BOARD SKIRTING OVER FRAMING)

SCALE: VARIES

REVISION DATE: 01/15/2018

These drawings are intended only as a guide for the construction of certain generic elements in building codes and regulations, and specific site conditions. These drawings may need to be modified by the builder to comply with such local codes, regulations, and site conditions. Due to the generic nature of these drawings certain items may not be intended for use on a specific project.



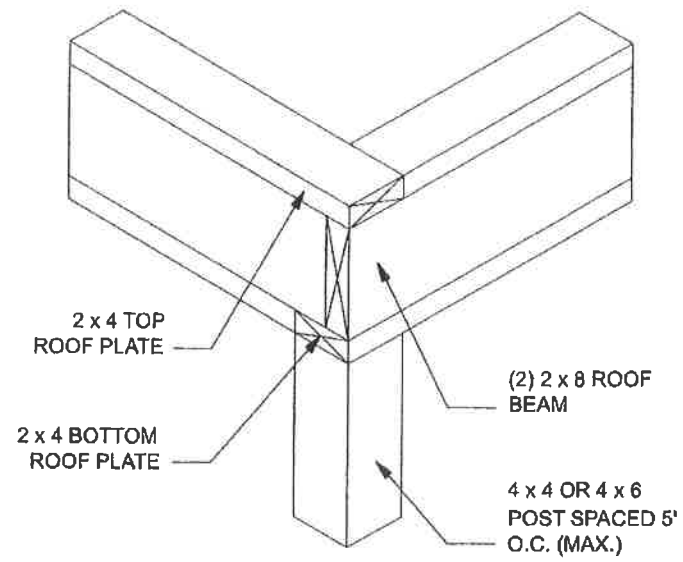
archadeck®
 ©2016 Archadeck Franchising Corporation

DETAIL #2302-A CORNER FRAMING @ SCREEN PORCH

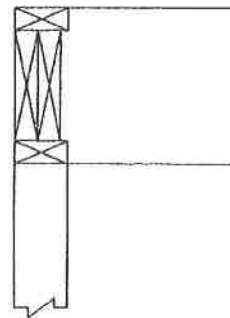
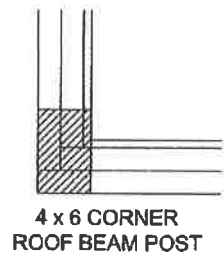
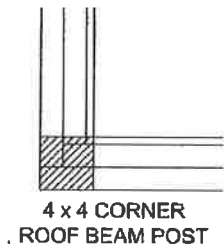
SCALE: 3/4" = 1'

REVISION DATE: 01/15/2018

These drawings are intended only as a guide for the construction of certain generic elements in building codes and regulations, and specific site conditions. These drawings may need to be modified by the builder to comply with such local codes, regulations, and site conditions. Due to the generic nature of these drawings certain items may not be intended for use on a specific project.



ALL NAILED AND ATTACHED PER LOCAL CODES



archadeck®

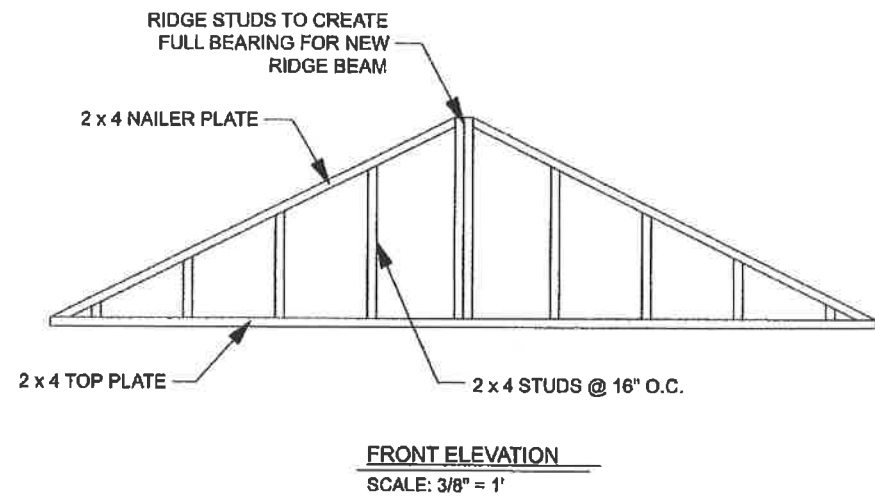
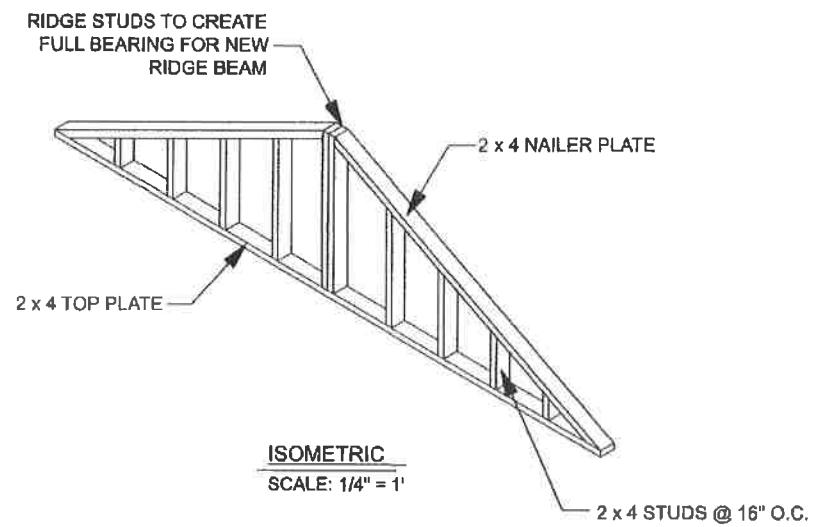
©2016 Archadeck Franchising Corporation

DETAIL #2306-A TYPICAL ROOF BEAM FRAMING

SCALE: 1" = 1'

REVISION DATE: 01/15/2018

These drawings are intended only as a guide for the construction of certain generic elements in building codes and regulations, and specific site conditions. These drawings may need to be modified by the builder to comply with such local codes, regulations, and site conditions. Due to the generic nature of these drawings certain items may not be intended for use on a specific project.



archadeck®

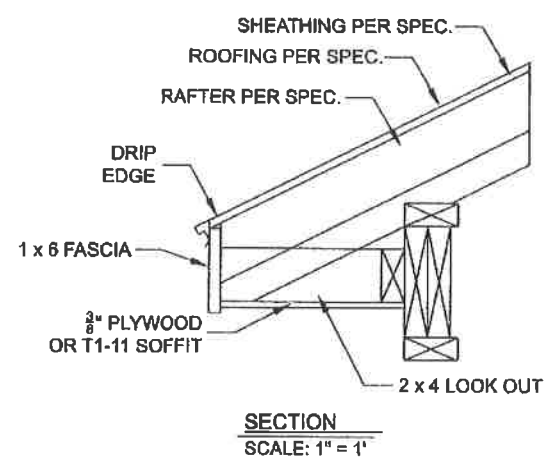
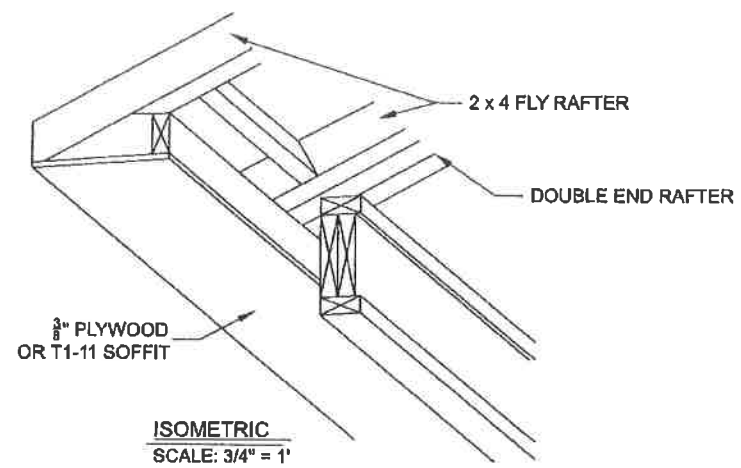
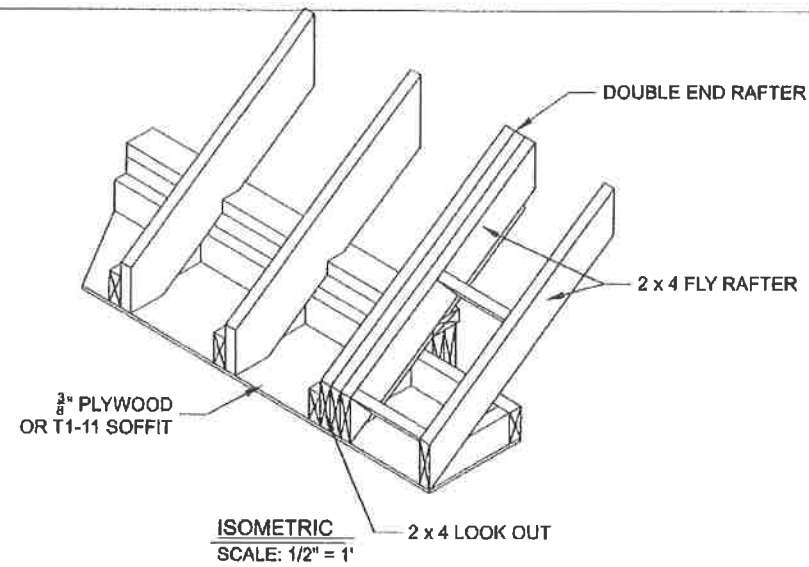
©2016 Archadeck Franchising Corporation

DETAIL #2408-B GABLE ROOF w/ ENCLOSED
GABLE END (2 x 4 FRAMING)

SCALE: VARIES

REVISION DATE: 01/15/2018

These drawings are intended only as a guide for the construction of certain generic elements in building codes and regulations, and specific site conditions. These drawings may need to be modified by the builder to comply with such local codes, regulations, and site conditions. Due to the generic nature of these drawings certain items may not be intended for use on a specific project.



archadeck[®]

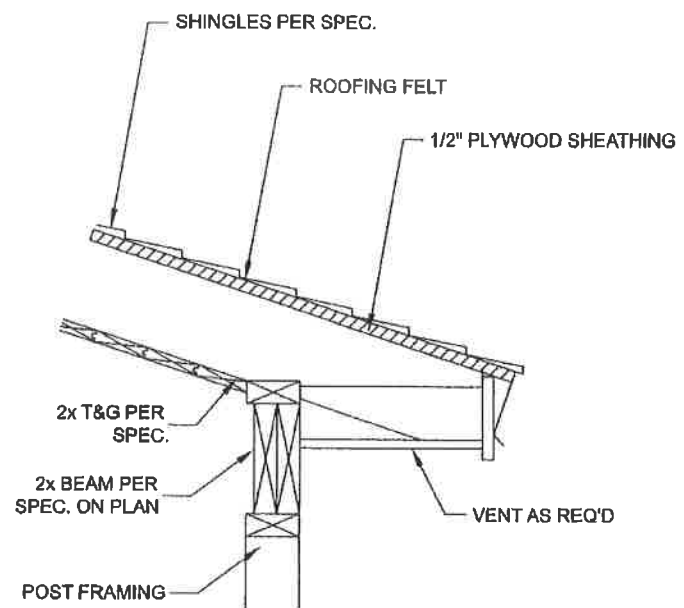
©2016 Archadeck Franchising Corporation

DETAIL #2413-A TYPICAL PLYWOOD SOFFIT DETAIL

SCALE: VARIES

REVISION DATE: 01/15/2018

These drawings are intended only as a guide for the construction of certain generic elements in building codes and regulations, and specific site conditions. These drawings may need to be modified by the builder to comply with such local codes, regulations, and site conditions. Due to the generic nature of these drawings certain items may not be intended for use on a specific project.



archadeck[®]
 ©2016 Archadeck Franchising Corporation

DETAIL #2707-B ENCLOSED RAFTER CEILING APPLICATIONS
 w/ T&G CEILING FINISH

SCALE: 1" = 1'

REVISION DATE: 01/15/2018

These drawings are intended only as a guide for the construction of certain general elements in building codes and regulations, and specific site conditions. These drawings may need to be modified by the builder to comply with such local codes, regulations, and site conditions. Due to the generic nature of these drawings certain items may not be intended for use on a specific project.