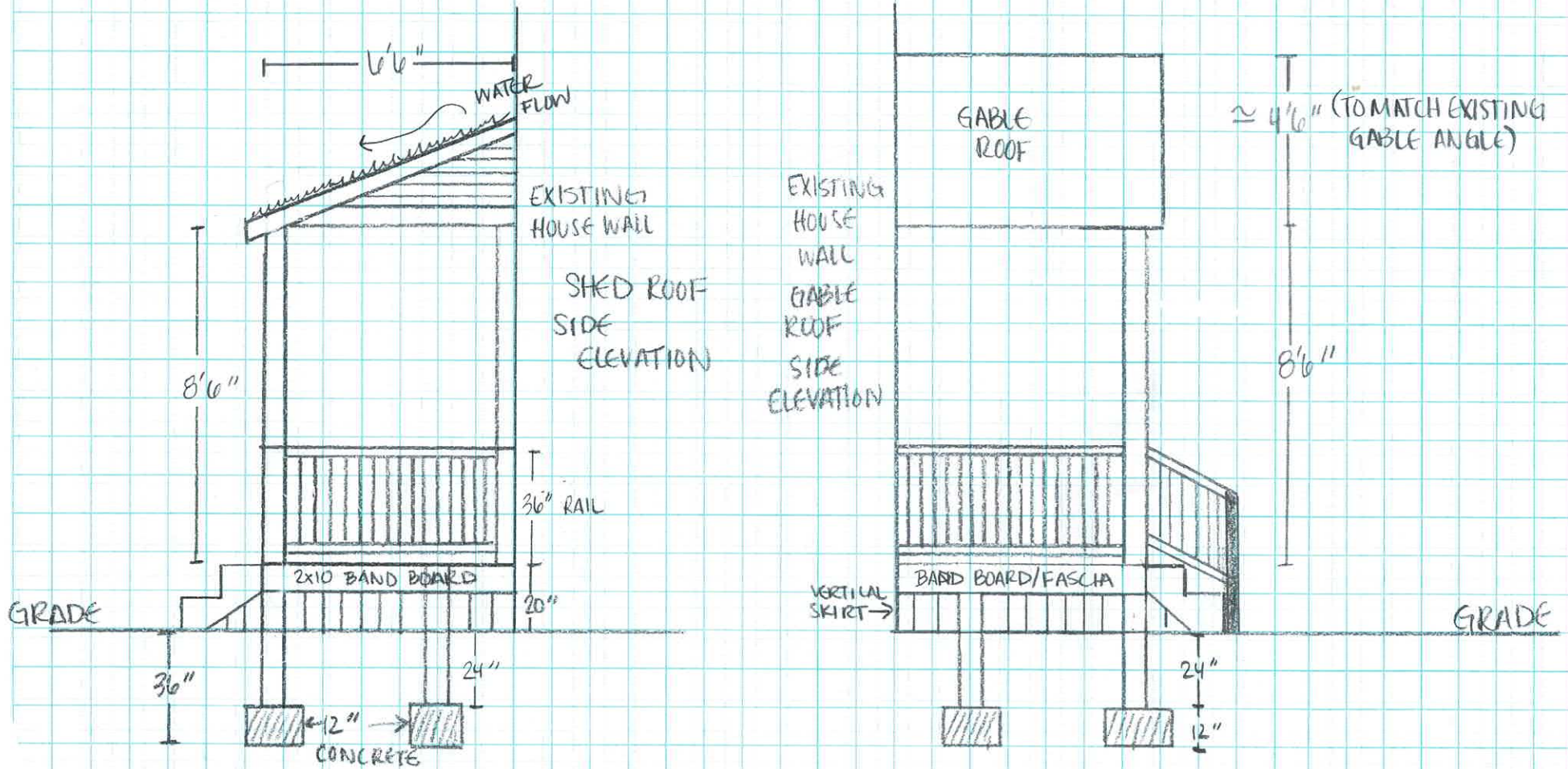


WARD  
912 VERNON RD  
BEXLEY, OH 43209

WARD  
912 VERNON RD  
BEXLEY 43209

SIDE ELEVATIONS



WARD  
 912 VERNON RD  
 BEXLEY, OH 43209  
 ROOF BIRDS EYE PLAN

• 6x6 CEDAR POSTS CONNECTED TO DECK  
 FRAMING W/ GALV SIMPSON BRACKET (6x)

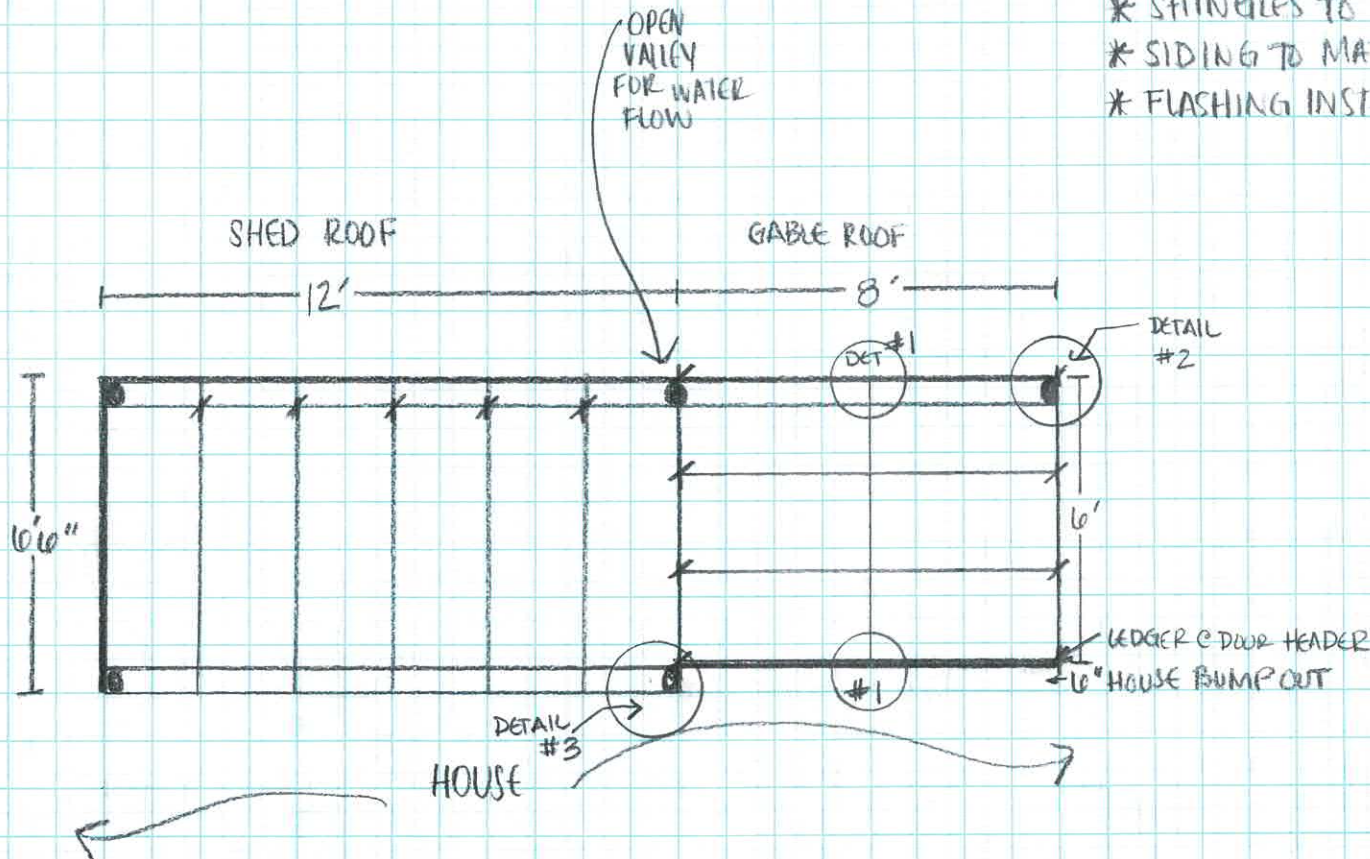
SHED ROOF

- \* 4x8 CEDAR RAFTER BEAM
- \* 2x8 CEDAR RAFTERS 24" OC
- \* HURRICANE STRAPS
- 5/8" OSB ROOF SHEATHING

GABLE ROOF

- \* 4x8 CEDAR RIDGE BEAM
- \* 4x8 CEDAR RAFTER BEAM
- \* 2x8 CEDAR RAFTERS 24" OC
- \* HURRICANE STRAPS
- 5/8" OSB ROOF SHEATHING

- \* ALL FASTENERS TO BE GALVANIZED
- \* SHINGLES TO MATCH HOUSE
- \* SIDING TO MATCH HOUSE
- \* FLASHING INSTALLED PER OHIO CODE

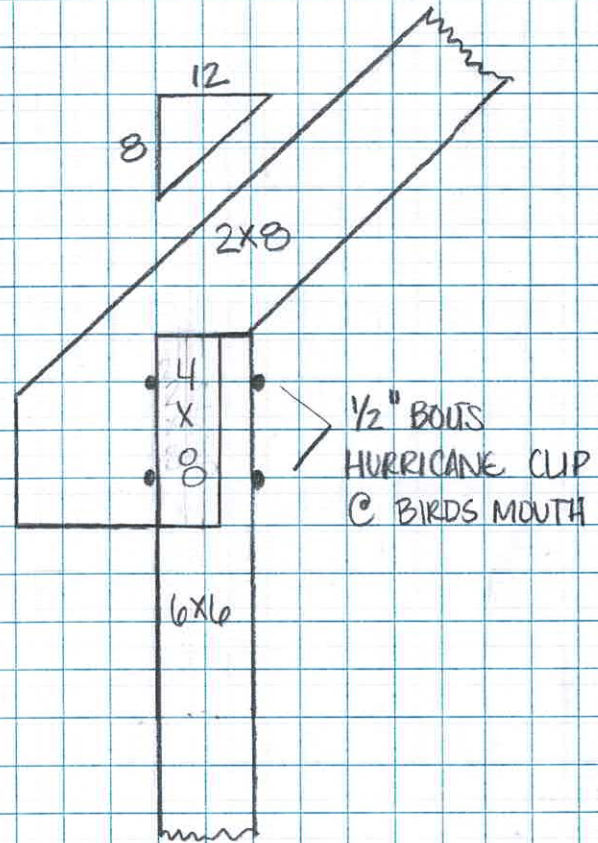
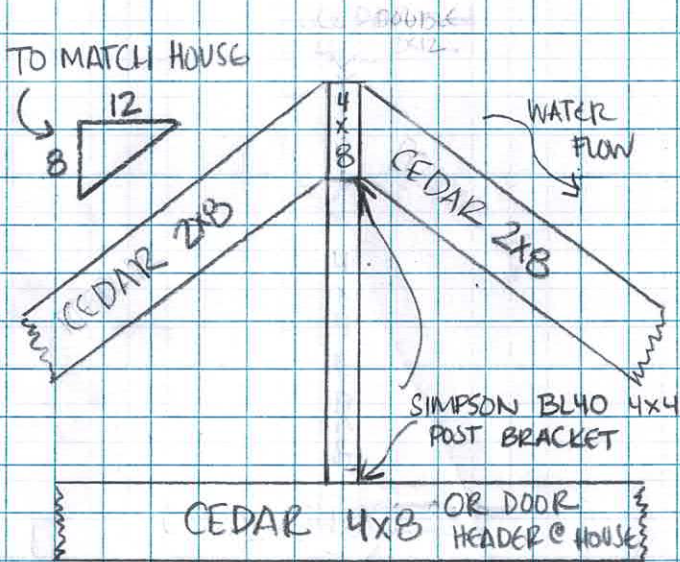


WARD  
912 VERNON RD  
BEXLEY OH 43209

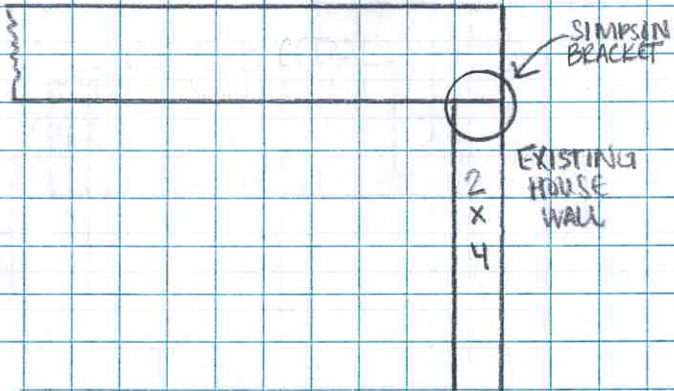
DETAIL #1

ROOF DETAILS PAGE

DETAIL #2



DETAIL #3





FREE SHIPPING \$299+

(/)

(tel:+1

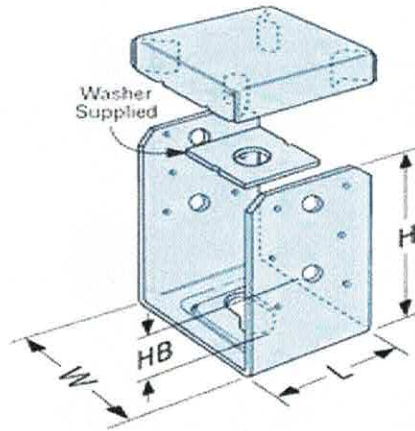
Search for products

Search  
**888-**

**794-**

**1590)**

## Simpson ABU66Z 6x6 Post Base - Zmax Finish



00

SKU: ABU66Z

Love it? Write a Review (/Simpson-ABU66Z-6x6-Adjustable-Post-Base-Zmax-Finish/newReview)

\$36.49

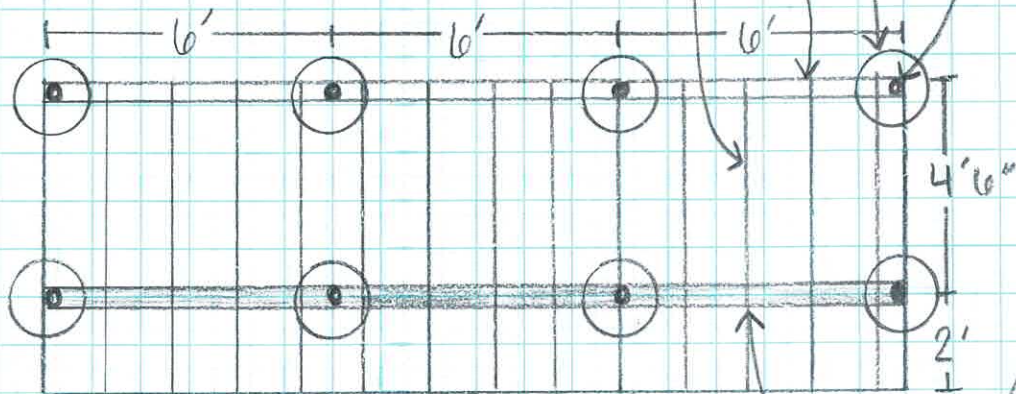
QUANTITY

- 1 +

**Add to Cart**

WARD  
 912 VERNON RD  
 BEXLEY, OH 43209  
 DECK FRAME BIRDS EYE

- 6x6 PT PINE POST (DETAIL #3)
- = 18" x 36" FOOTER w/ 12" CONCRETE BASE
- # 2 PT PINE 2x10 CARRIAGE BEAM; BEAM NOTCHED INTO POST & SECURED W/ 2 1/2" CARRIAGE BOLTS (DETAIL #1)
- # 2 PT PINE 2x10 JOISTS 16" OC TOENAILED <sup>TO</sup> BEAMS
- # 2 PT PINE 2x8 BLOCKING OVER CANTILEVER BEAM 2' FROM HOUSE (DETAIL #2)
- DECK FLOOR ELEVATED APPROX. 20"
- DECK FLOOR WILL BE COMPOSITE SECURED AT EVERY JOIST W/ HIDDEN FASTENERS
- DECK WILL NOT BE ATTACHED TO HOUSE

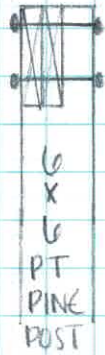


← HOUSE →

WARD  
 912 VERNON RD  
 BEXLEY, OH 43209  
 DECK FRAME DETAILS

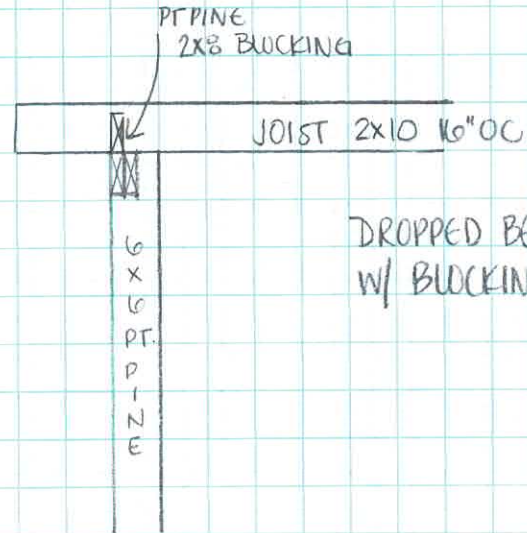
DETAIL #1

DOUBLE 2x10  
 CARRIAGE BEAM NOTCHED INTO  
 6x6 PT PINE POST & CONNECTED W/ 2  
 1/2" x 8" CARRIAGE BOLTS

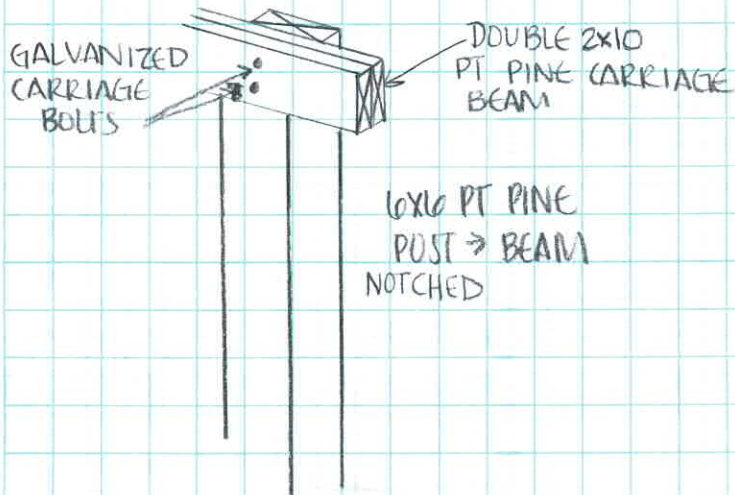


DECK FRAME DETAIL  
 POST TO BEAM DETAIL  
 6x6 POST 2' CANTILEVERED  
 JOISTS W/ DROPPED BEAM  
 NOTCHED INTO 6x6

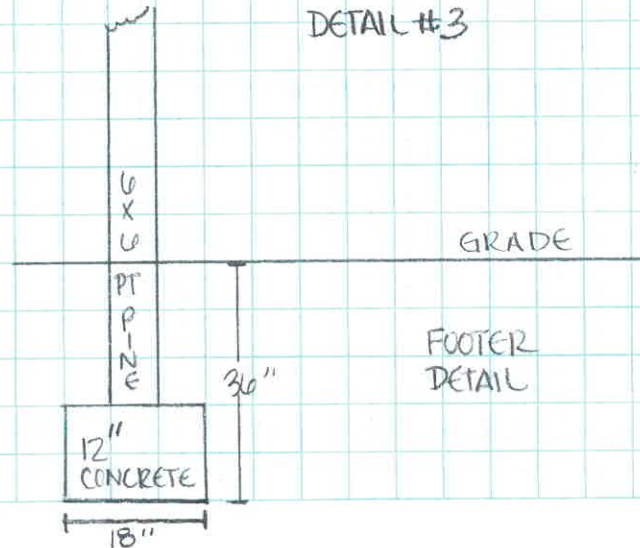
DETAIL #2

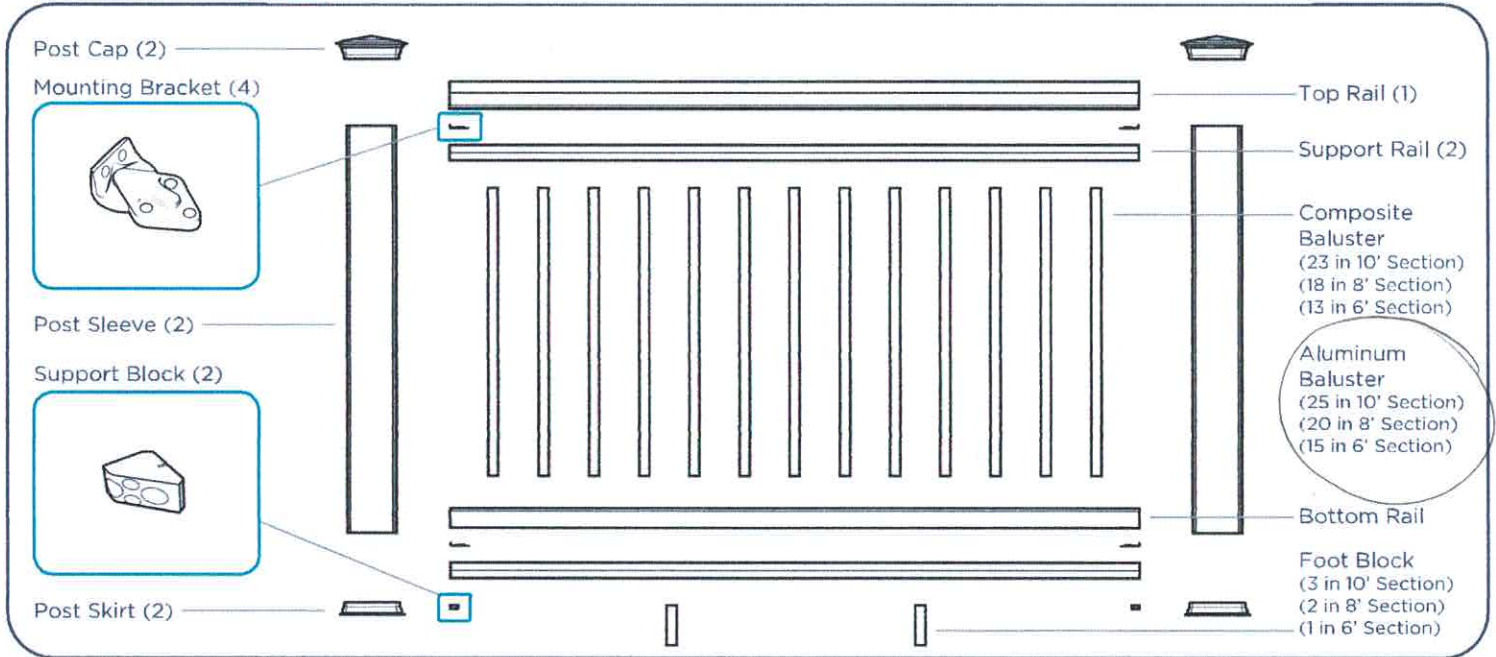


DROPPED BEAM  
 W/ BLOCKING DETAIL



DETAIL #3





**AZEK Rail kit is available in 10', 8' and 6' lengths.**

Visit [www.azek.com/installation](http://www.azek.com/installation) to view AZEK installation videos. Consult your local building codes for guard and handrail requirements.

**Tools Required**

- Miter Saw
- Drill
- Measuring Tape
- 7/64" Drill Bit
- 3/16" Drill Bit

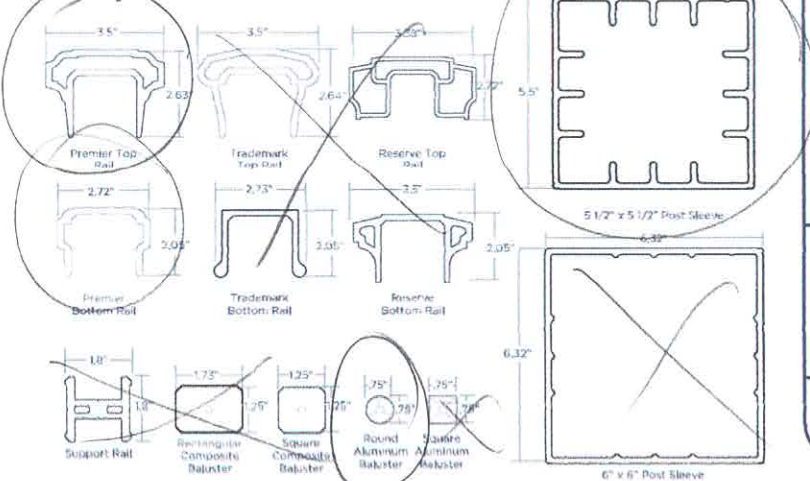
### Measuring Your Railing Area

- Measurements are from center to center of post. Rails are produced in 10', 8' and 6' lengths to allow for finished end cuts and angles.
- Determine how many 10', 8' and 6' AZEK rail sections you need and check to be sure you have all the components (and quantities) listed in the chart shown to the right.

### Important Information

- ⚠** AZEK Rail 10', 8' and 6' rails are designed not to exceed 10', 8' and 6' center of post to center of post, respectively.
- ⚠** For stair applications maximum rail length must not exceed 91"
- Cut slowly, using a fine tooth saw blade to avoid chipping.
- For 42" railing use 54" Post Sleeves.

### Component Dimensions

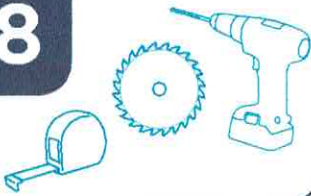


### Components Needed For Installing One AZEK Rail Section

Components Included in Complete 10', 8' and 6' Kits (White Only in Premier & Trademark)									
<ul style="list-style-type: none"> <li>1 - Top Rail</li> <li>1 - Bottom Rail</li> <li>2 - Support Rails (1 - Aluminum Top Support Rail for 10')</li> <li>Foot Blocks                             <ul style="list-style-type: none"> <li>- 1 in 6' Kits, - 2 in 8' Kits, - 8 in 10' Kits,</li> </ul> </li> <li>Composite Balusters                             <ul style="list-style-type: none"> <li>- 13 in 6' Kits, - 18 in 8' Kits, - 23 in 10' Kits</li> </ul> </li> <li>Hardware Mounting Kit</li> <li>Support Block Mounting Templates</li> <li>Baluster Screw Kit</li> </ul>									
Components available separately for mix-and-match rail systems	AZEK Rail Pack								
	<ul style="list-style-type: none"> <li>1 - Top Rail (Reserve Top Rail sold separately)</li> <li>1 - Bottom Rail</li> <li>2 - Support Rails (1 - Aluminum Top Support Rail for 10')</li> <li>Hardware Mounting Kit</li> <li>Support Block Mounting Templates</li> <li>Foot Blocks                             <ul style="list-style-type: none"> <li>- 1 in 6' Packs, - 2 in 8' Packs, - 3 in 10' Packs</li> </ul> </li> </ul>								
	Baluster Pack								
	<table border="0"> <tr> <th>Composite Balusters</th> <th>Aluminum Balusters</th> </tr> <tr> <td> <ul style="list-style-type: none"> <li>- 18 Balusters per Pack (23 required per 10' section) (18 required per 8' section) (13 required per 6' section)</li> <li>- 29" for 36" Railing</li> <li>- 31" for 36" Railing (with less than 2" gap between deck &amp; Bottom Rail)</li> <li>- 35" for 42" Railing</li> <li>- 37" for 42" Railing (with less than 2" gap between deck &amp; Bottom Rail)</li> </ul> </td> <td> <ul style="list-style-type: none"> <li>- 20 Balusters per Pack (25 required per 10' section) (20 required per 8' section) (15 required per 6' section)</li> <li>- 29" for 36" Railing</li> <li>- 31" for 36" Railing (with less than 2" gap between deck &amp; Bottom Rail)</li> <li>- 35" for 42" Railing</li> <li>- 37" for 42" Railing (with less than 2" gap between deck &amp; Bottom Rail)</li> </ul> </td> </tr> <tr> <th>Baluster Screw Kit</th> <th>Baluster Screw Kit</th> </tr> <tr> <td> <ul style="list-style-type: none"> <li>18 - #8x2" Screws</li> <li>18 - #8x3" Screws</li> </ul> </td> <td> <ul style="list-style-type: none"> <li>20 - #8x2" Screws</li> <li>20 - #8x3" Screws</li> </ul> </td> </tr> </table>	Composite Balusters	Aluminum Balusters	<ul style="list-style-type: none"> <li>- 18 Balusters per Pack (23 required per 10' section) (18 required per 8' section) (13 required per 6' section)</li> <li>- 29" for 36" Railing</li> <li>- 31" for 36" Railing (with less than 2" gap between deck &amp; Bottom Rail)</li> <li>- 35" for 42" Railing</li> <li>- 37" for 42" Railing (with less than 2" gap between deck &amp; Bottom Rail)</li> </ul>	<ul style="list-style-type: none"> <li>- 20 Balusters per Pack (25 required per 10' section) (20 required per 8' section) (15 required per 6' section)</li> <li>- 29" for 36" Railing</li> <li>- 31" for 36" Railing (with less than 2" gap between deck &amp; Bottom Rail)</li> <li>- 35" for 42" Railing</li> <li>- 37" for 42" Railing (with less than 2" gap between deck &amp; Bottom Rail)</li> </ul>	Baluster Screw Kit	Baluster Screw Kit	<ul style="list-style-type: none"> <li>18 - #8x2" Screws</li> <li>18 - #8x3" Screws</li> </ul>	<ul style="list-style-type: none"> <li>20 - #8x2" Screws</li> <li>20 - #8x3" Screws</li> </ul>
Composite Balusters	Aluminum Balusters								
<ul style="list-style-type: none"> <li>- 18 Balusters per Pack (23 required per 10' section) (18 required per 8' section) (13 required per 6' section)</li> <li>- 29" for 36" Railing</li> <li>- 31" for 36" Railing (with less than 2" gap between deck &amp; Bottom Rail)</li> <li>- 35" for 42" Railing</li> <li>- 37" for 42" Railing (with less than 2" gap between deck &amp; Bottom Rail)</li> </ul>	<ul style="list-style-type: none"> <li>- 20 Balusters per Pack (25 required per 10' section) (20 required per 8' section) (15 required per 6' section)</li> <li>- 29" for 36" Railing</li> <li>- 31" for 36" Railing (with less than 2" gap between deck &amp; Bottom Rail)</li> <li>- 35" for 42" Railing</li> <li>- 37" for 42" Railing (with less than 2" gap between deck &amp; Bottom Rail)</li> </ul>								
Baluster Screw Kit	Baluster Screw Kit								
<ul style="list-style-type: none"> <li>18 - #8x2" Screws</li> <li>18 - #8x3" Screws</li> </ul>	<ul style="list-style-type: none"> <li>20 - #8x2" Screws</li> <li>20 - #8x3" Screws</li> </ul>								
Hardware included in Hardware Mounting Kits:	<ul style="list-style-type: none"> <li>4 - Mounting Brackets</li> <li>2 - Support Blocks</li> <li>16 - #8 x 3/4" Screws</li> <li>6 - #8 x 1 3/4" Screws</li> <li>6 - #8 x 2 5/8" Screws (Stairs Only)</li> <li>6 - #8 x 3" Screws</li> <li>12 - #8 x 3" Green Screws</li> <li>T20 Driver Bit</li> </ul>								
Additional Components Needed for Each System	<ul style="list-style-type: none"> <li>2 - Post Caps</li> <li>2 - Post Sleeves</li> <li>2 - Post Skirts</li> </ul>								

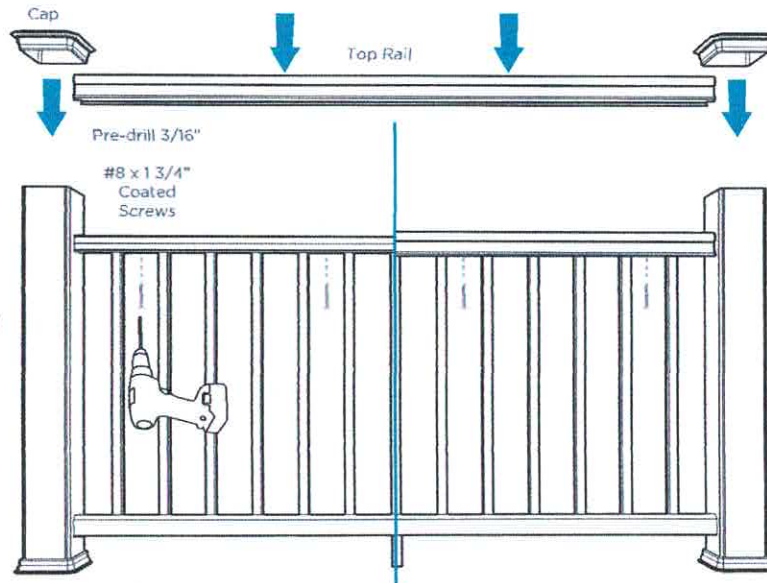


8



### INSTALL TOP RAIL AND POST CAPS

- Measure and cut Top Rail to length. Trim both ends for a clean cut.
- Attach Post caps using exterior grade caulk applied to the underside of the cap.



**Caution:** Screws must be 1 3/4" so they won't go through the Top Rail on straight rail sections.

### AZEK PREMIER RAIL SPECS

- \* .75 IN ALUMINUM BALUSTERS 4" OC
- \* 5.5" x 5.5" POST SLEEVE OVER #2 PINE 4x4  
~ ATTACHED TO DECK FRAME W/ 2 1/2" GALV. LAG BOLTS
- \* 3.5" GRIPPABLE TOP RAIL ON STANDARD & STAIR RAILS

WARD  
912 VERNON RD  
BEXLEY, OH 43209  
DECK RAIL SPECS