

### SHEAR WALL / BRACING CODED NOTES:

A	CS-WSP SHALL BE AS FOLLOWS: 1. WALL LENGTH + 4'-0" EVERY 20'-0" SECT. 2. 7/8" OSB 3. 6' O.C. EDGE NAILING 4. 12' O.C. FIELD NAILING 5. WALL PANEL SOLE PLATE (3) 16D NAILS 16" O.C.
B	CS-PF SHALL BE AS FOLLOWS 1. SEE DETAIL SHEET # 3-1

### HEADER NOTE:

1. ALL BEARING HEADERS TO BE (3) 2x6 SYP #2 UNLESS NOTED OTHERWISE

2. ALL OPENINGS GREATER THAN 1'-0" REQUIRE (2) KING STUDS FIRST FLOOR ONLY.

### GENERAL WALL NOTE:

2x6 EXTERIOR WALLS UNLESS NOTED OTHERWISE

2x4 INTERIOR WALLS UNLESS NOTED OTHERWISE

8'-0" FOUNDATION WALL UNLESS NOTED OTHERWISE

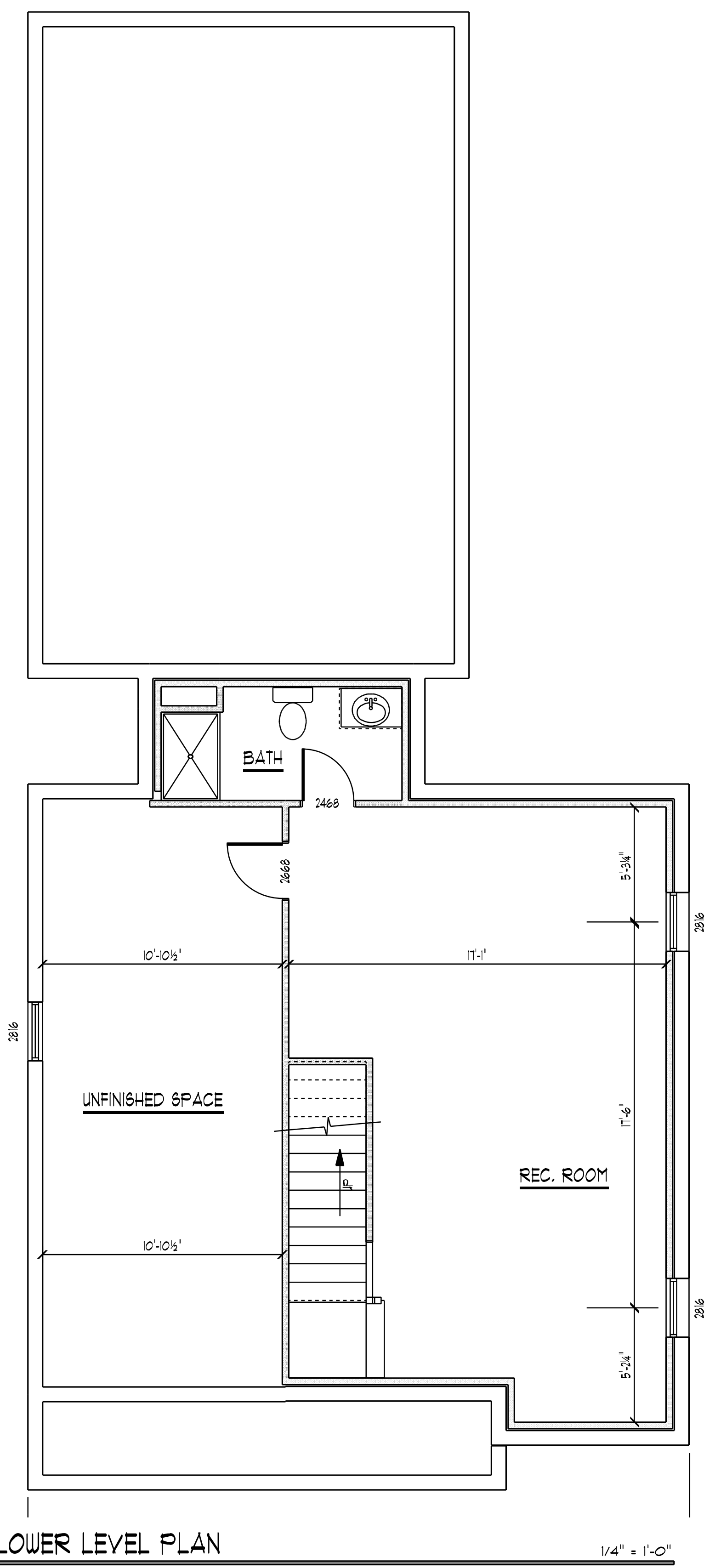
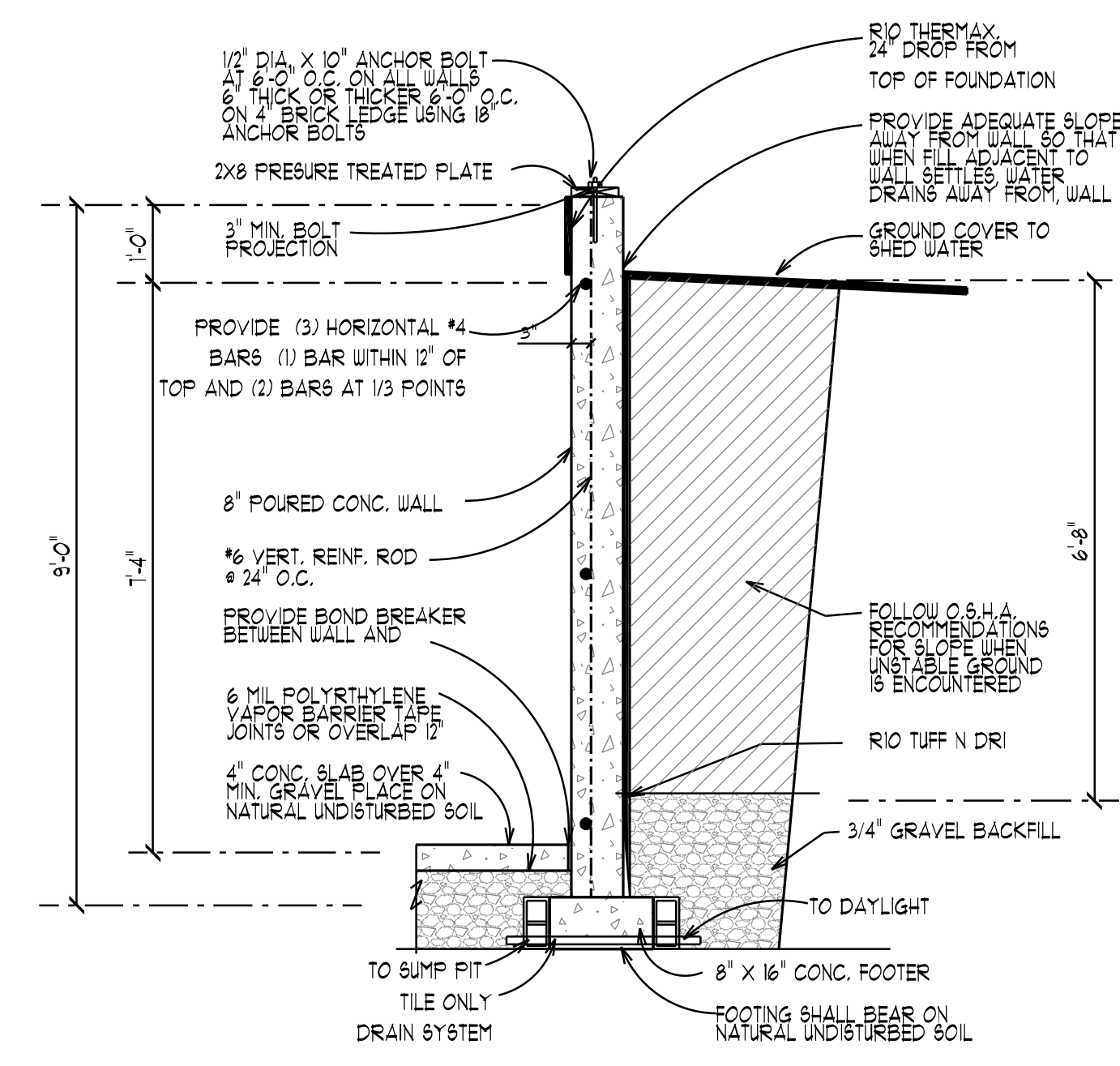
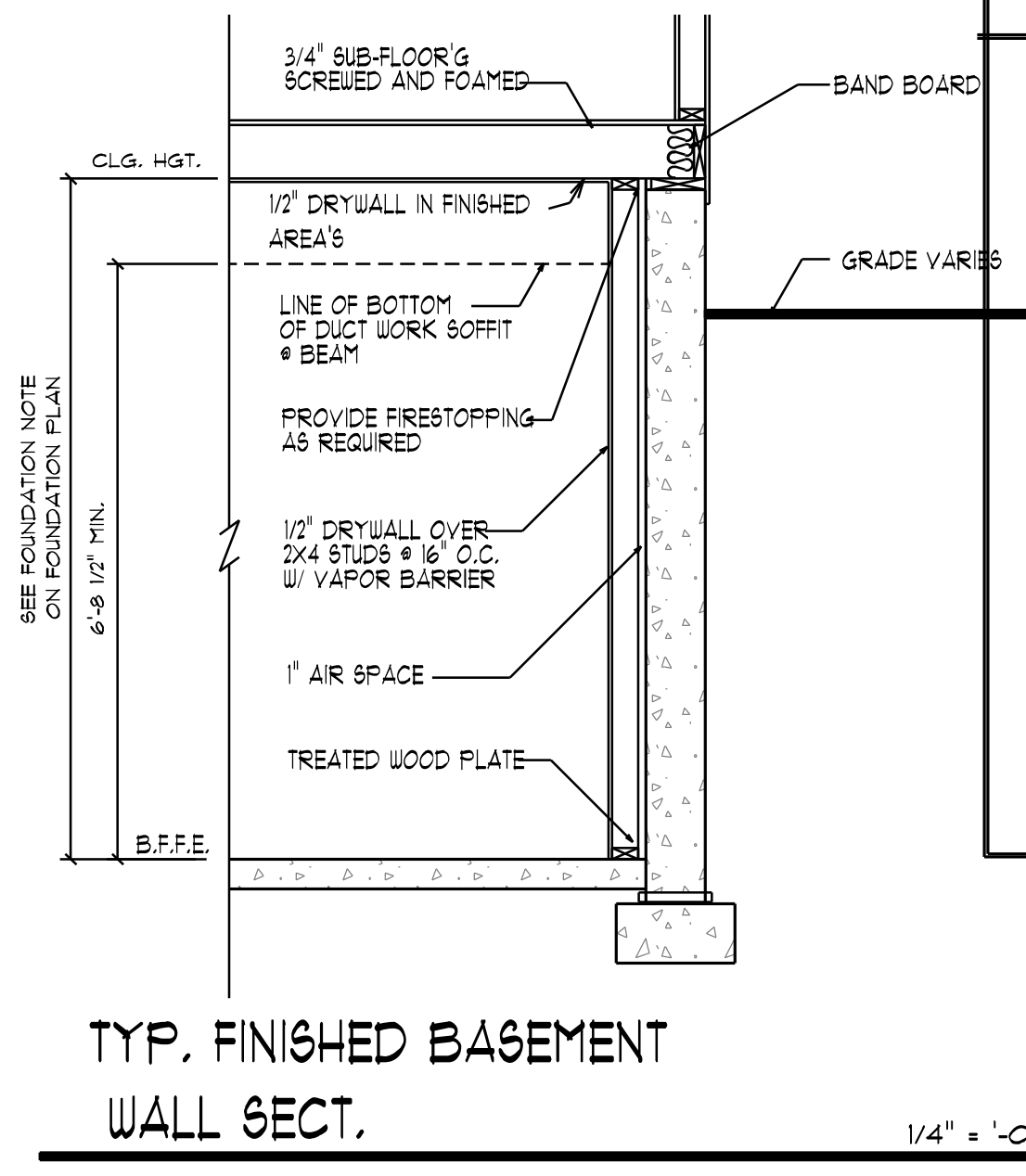
8'-1" PLATE HGT. FIRST FLOOR WALLS UNLESS NOTED OTHERWISE

10'-1" PLATE HGT. GARAGE WALL UNLESS NOTED OTHERWISE

8'-1" PLATE HGT. SECOND FLOOR WALLS UNLESS NOTED OTHERWISE

WINDOW HEADER HGT. TO MATCH DOOR HGT. UNLESS NOTED OTHERWISE.

WINDOW AND DOOR STYLES PER SPEC.



New Residence  
235 Roosevelt  
Bexley, Ohio  
Brynwood Homes

© COPYRIGHT 2018

ALL DRAWINGS ARE AND SHALL REMAIN THE PROPERTY OF CHATEAUX DESIGNS AND MAY NOT BE USED, DUPLICATED OR ALTERED WITHOUT THE WRITTEN CONSENT OF CHATEAUX DESIGNS

DISCLAIMER NOTE:  
WHOM EVER USES THESE PLANS AGREE TO THE FOLLOWING:  
MY DESIGNER HOMES WILL NOT ASSUME LIABILITY FOR ANY DAMAGES DUE TO ERRORS, OMISSIONS, OR DEFICIENCIES ON THESE PLANS.  
OWNER OR BUILDER MUST COMPLY WITH ALL LOCAL BUILDING CODE PRIOR TO COMMENCEMENT OF ANY WORK.

DATE: 10-14-2018  
REVISED: