

GENERAL NOTES

1. ALL DIMENSIONS TO FACE OF FINISHED WALL U.N.O.
2. ELECTRICAL OUTLETS @ 18" ON CENTER A.F.F. U.N.O.
3. LIGHT SWITCH @ 60" ON CENTER A.F.F. U.N.O.
4. DO NOT SCALE TO DRAWINGS. ALL MEASUREMENTS AS NOTED.

ELECTRICAL LEGEND

- 4" SUPER SLIM LED LIGHTS
- EXTERIOR LED STRIP LIGHT
- ⊕ DUPLEX OUTLET
- ⊞ LIGHT SWITCH

PROGRESS

THIS DRAWING IS PRELIMINARY AND NOT INTENDED TO BE USED FOR CONTRACT PRICING, FABRICATION OR CONSTRUCTION. ALL CONTENT IS SUBJECT TO CHANGE.

DISCLAIMER

NO GUARANTEE IS IMPLIED AS TO THE ACCURACY OF THE DIMENSIONS OR BUILDING FEATURES SHOWN. USERS OF THIS DRAWING ASSUME ALL RESPONSIBILITY FOR VERIFYING ITS ACCURACY.

PROJECT NAME :

OOTBOX

Construction Documents

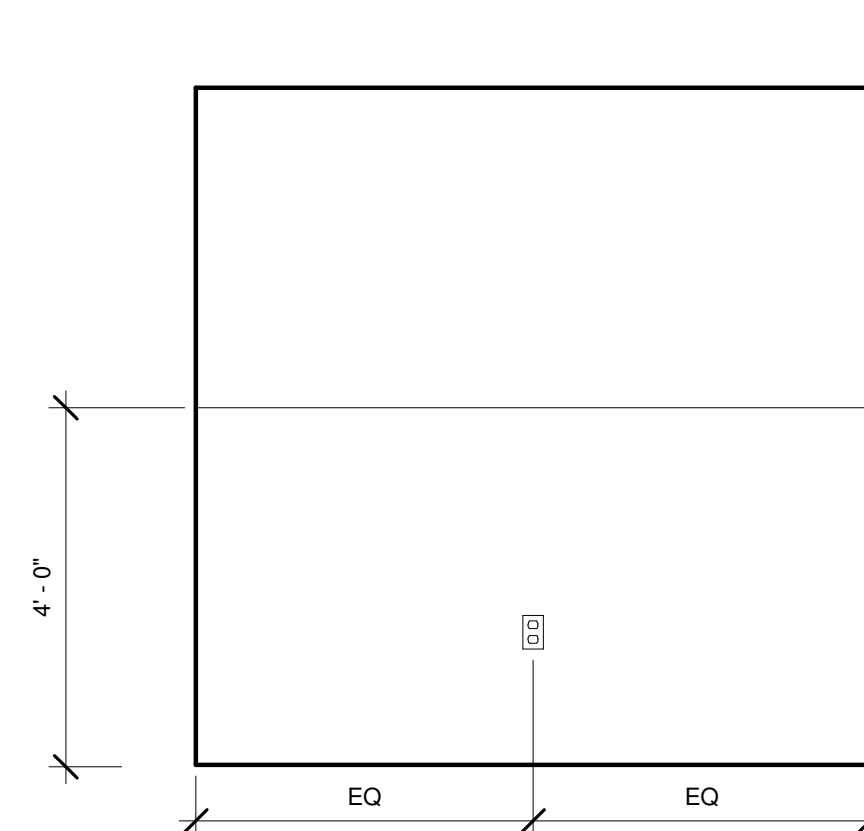
ISSUE DATE : 03.01.2019

PLANS & EXTERIOR ELEVATIONS

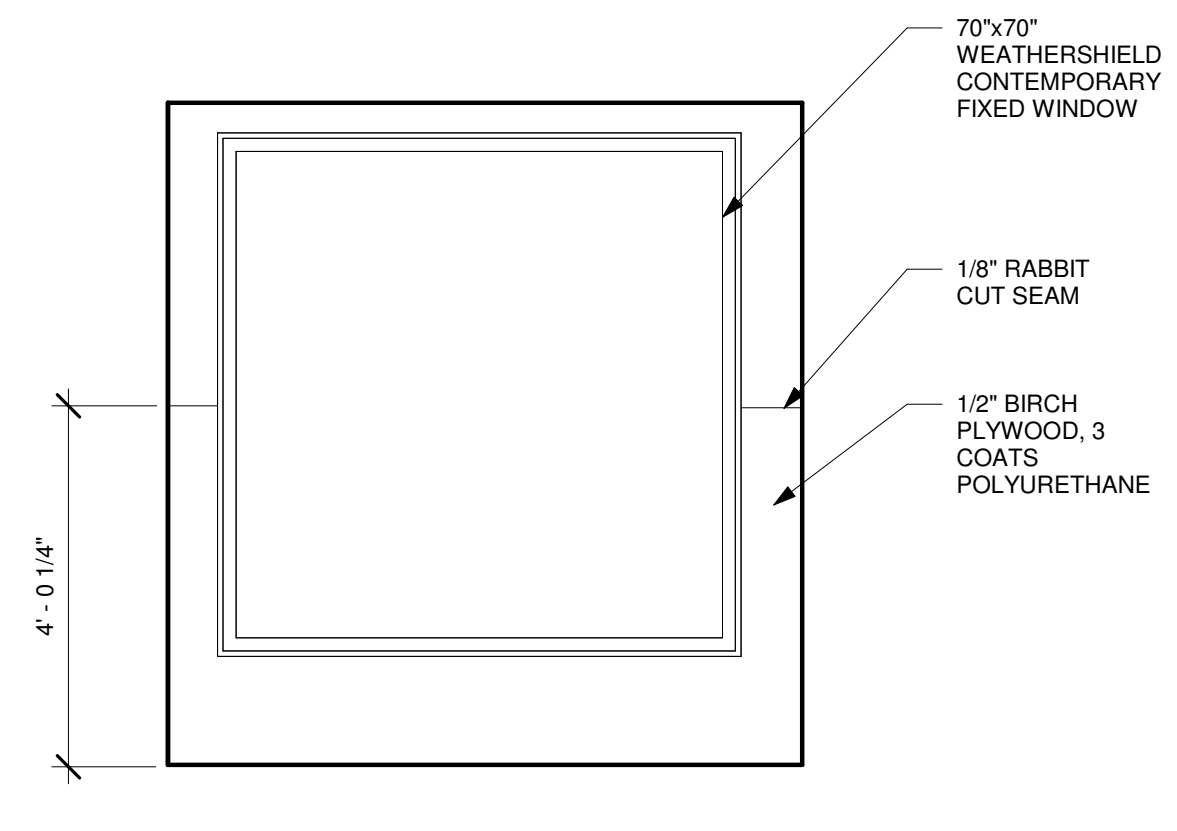
A100

GENERAL NOTES

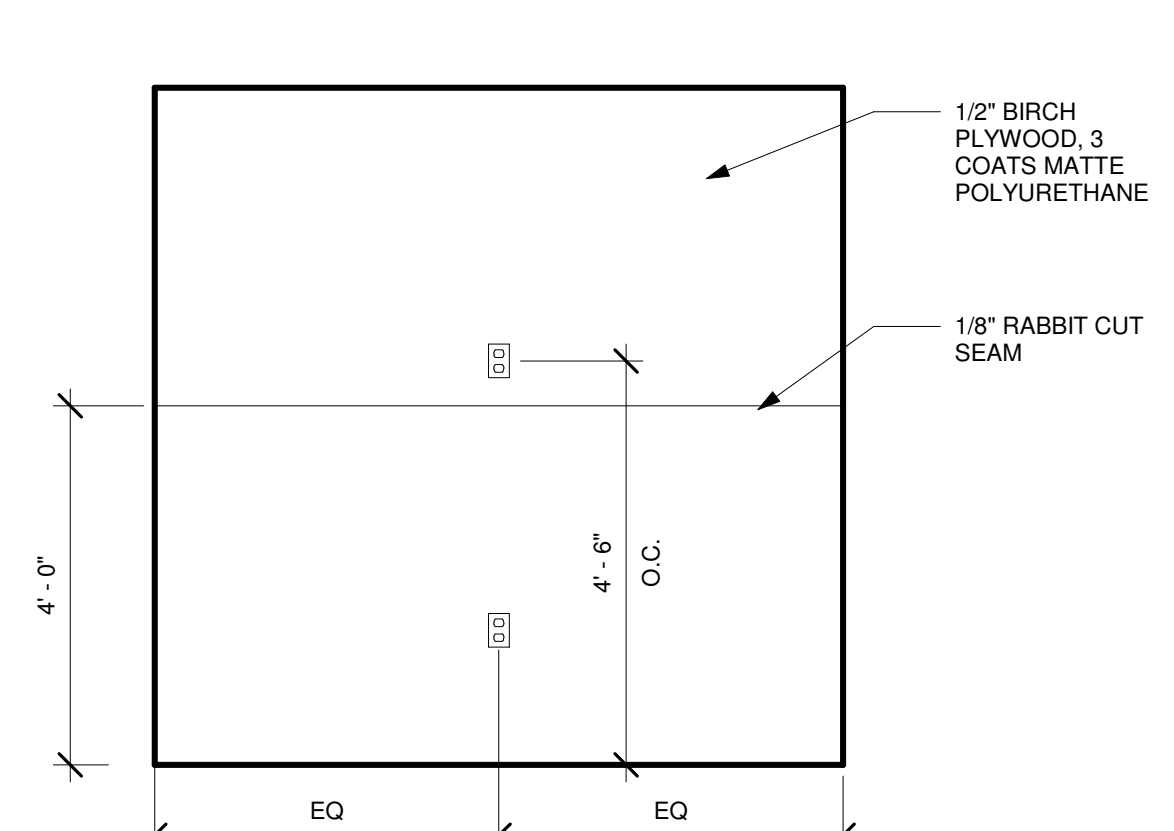
1. ALL DIMENSIONS TO FACE OF FINISHED WALL U.N.O.
2. ELECTRICAL OUTLETS @ 18" ON CENTER A.F.F. U.N.O.
3. LIGHT SWITCH @ 60" ON CENTER A.F.F. U.N.O.
4. DO NOT SCALE TO DRAWINGS. ALL MEASUREMENTS AS NOTED.



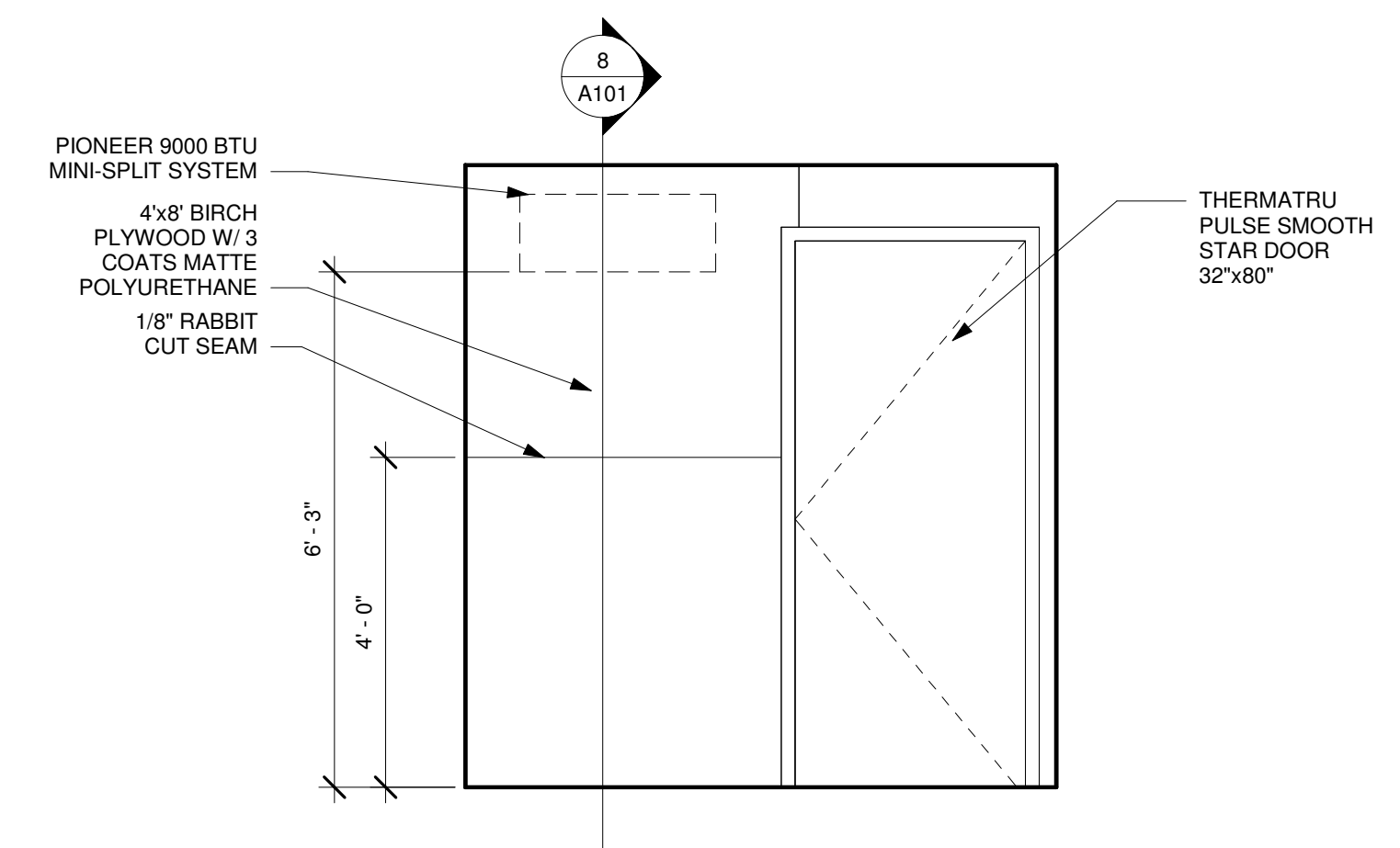
1 INTERIOR - 1
1/2" = 1'-0"



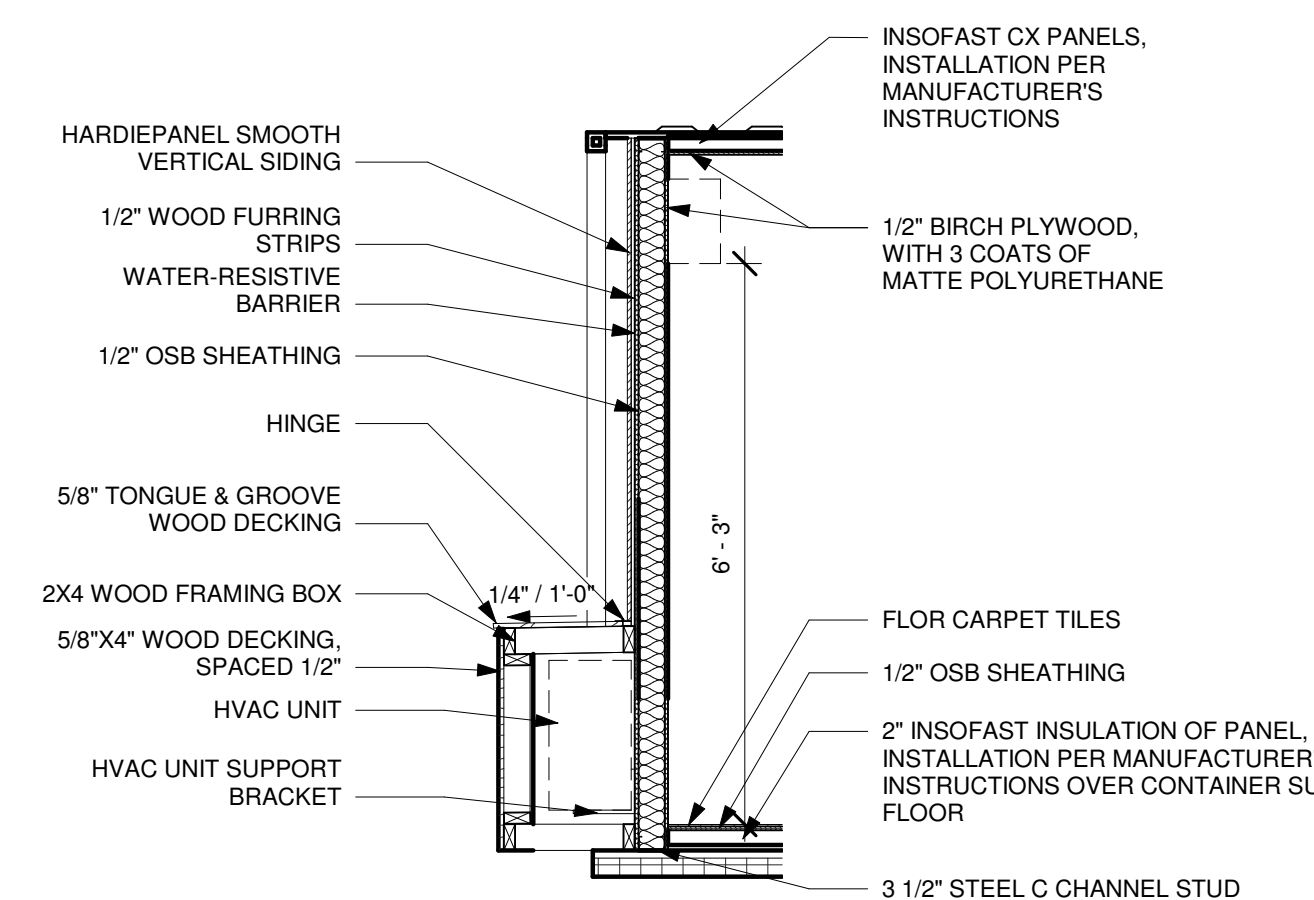
2 INTERIOR - 2
1/2" = 1'-0"



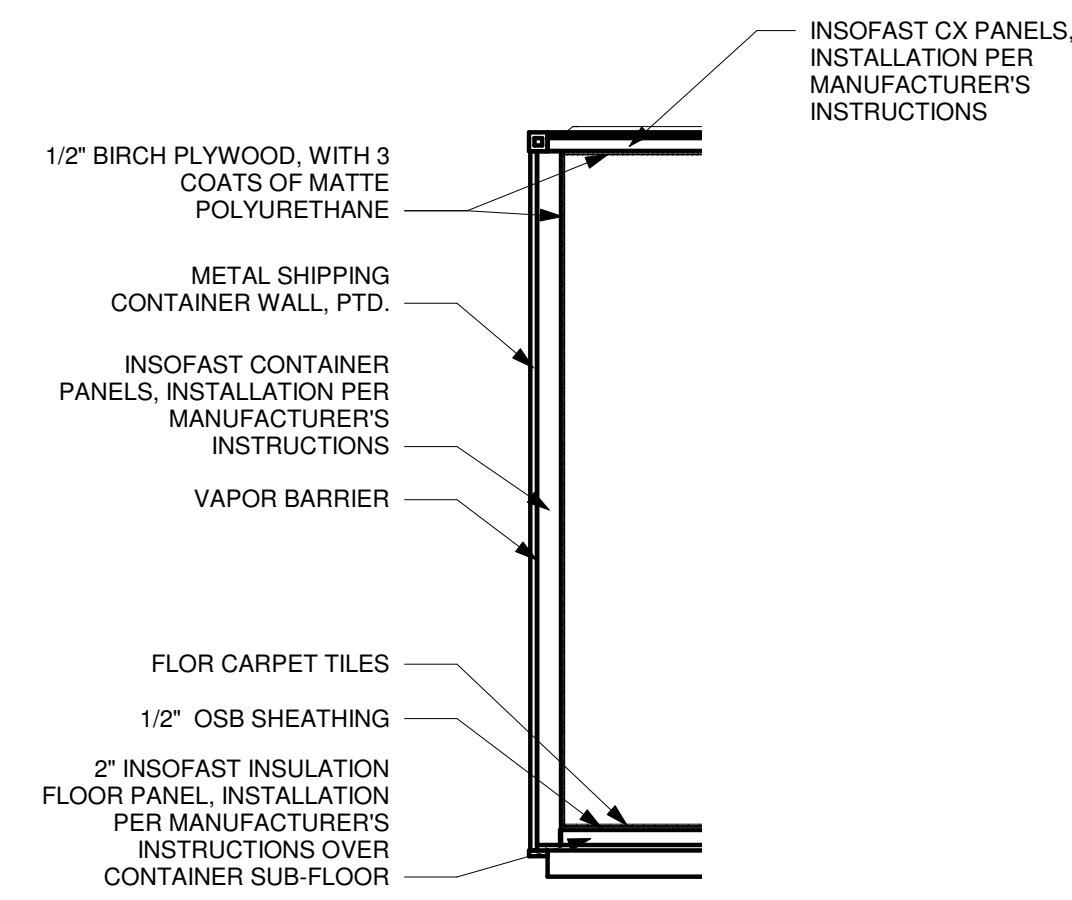
3 INTERIOR - 3
1/2" = 1'-0"



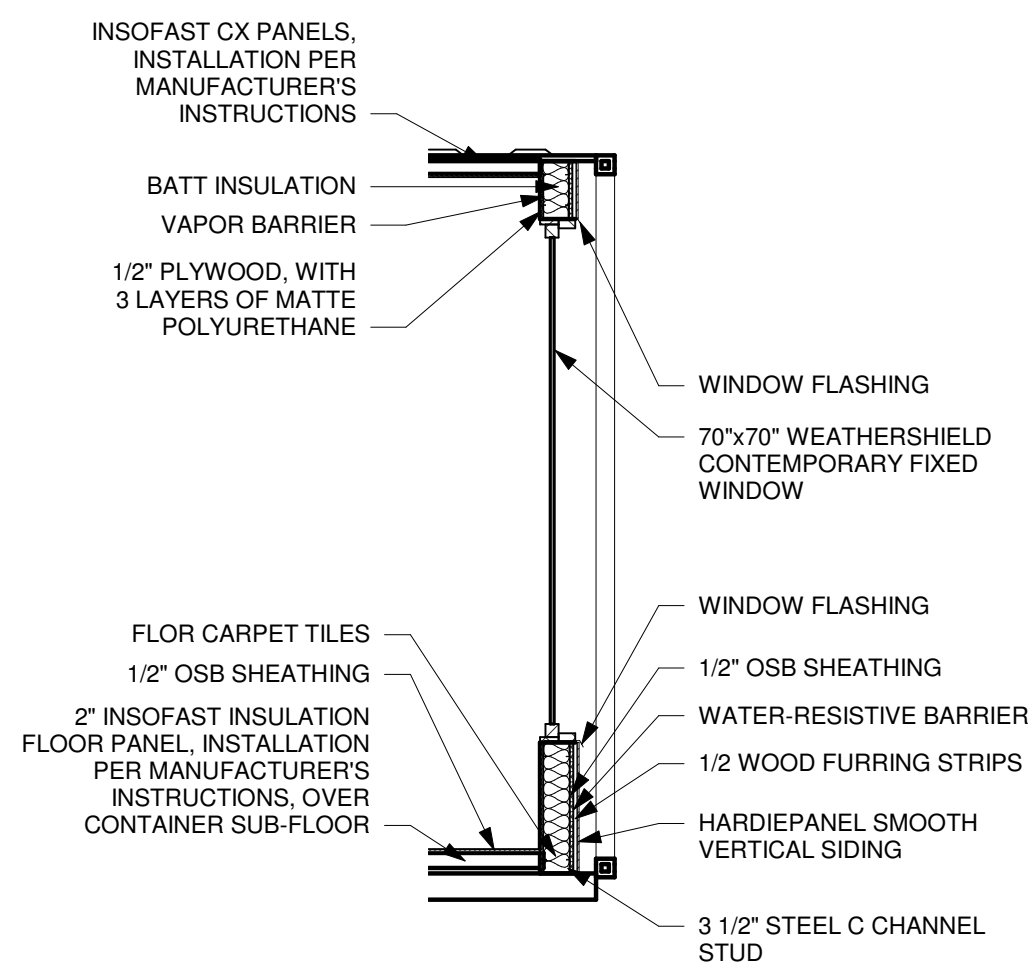
4 INTERIOR - 4
1/2" = 1'-0"



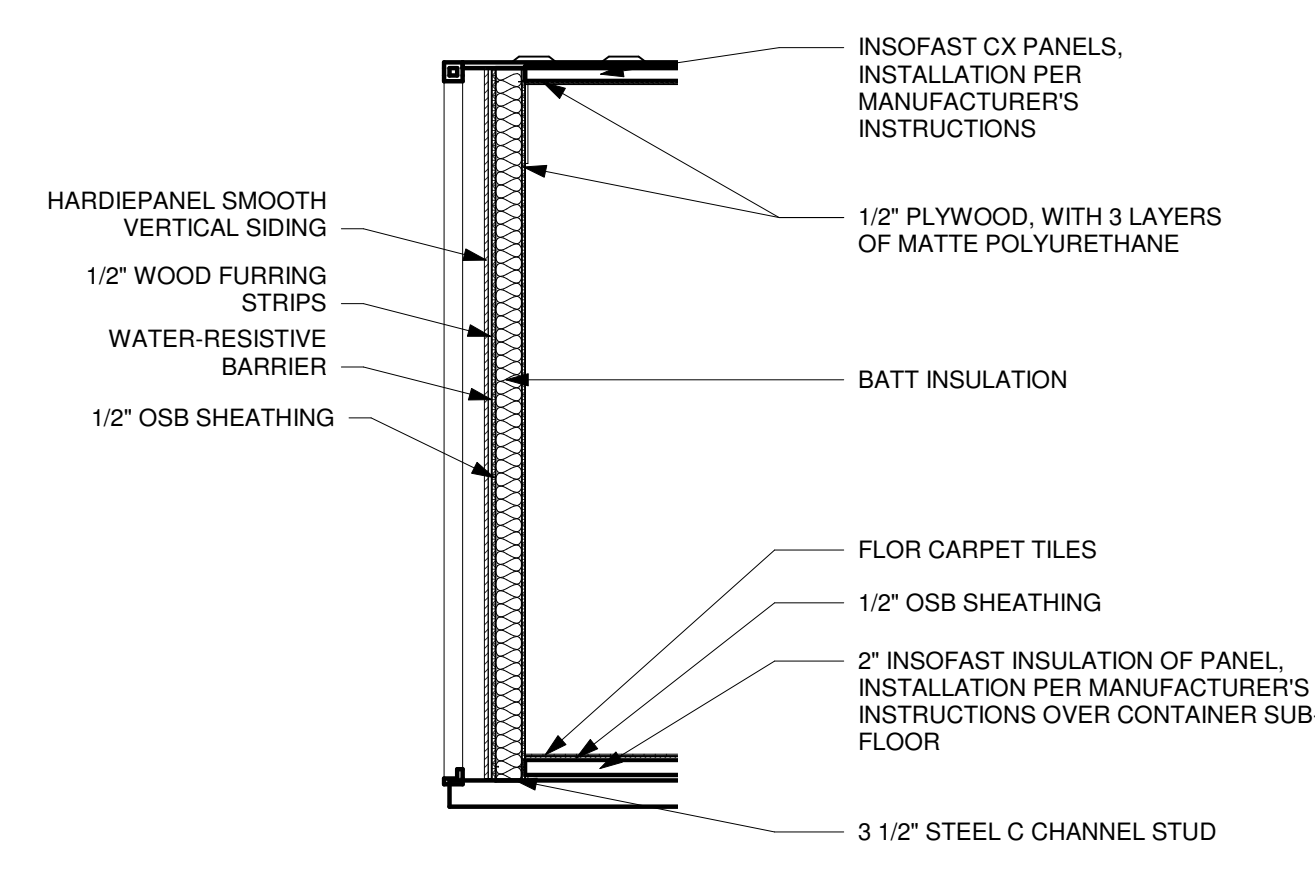
8 WALL SECTION THRU HVAC CLOSET
1/2" = 1'-0"



5 WALL SECTION THRU SIDE WALL
1/2" = 1'-0"



6 WALL SECTION THRU WINDOW
1/2" = 1'-0"



7 WALL SECTION THRU ENTRY WALL
1/2" = 1'-0"

PROGRESS
THIS DRAWING IS PRELIMINARY AND NOT INTENDED TO BE USED FOR CONTRACT PRICING, FABRICATION OR CONSTRUCTION. ALL CONTENT IS SUBJECT TO CHANGE.

DISCLAIMER
NO GUARANTEE IS IMPLIED AS TO THE ACCURACY OF THE DIMENSIONS OR BUILDING FEATURES SHOWN. USERS OF THIS DRAWING ASSUME ALL RESPONSIBILITY FOR VERIFYING ITS ACCURACY.

PROJECT NAME :

OOTBOX

Construction Documents

ISSUE DATE : 03.01.2019

INTERIOR ELEVATIONS & WALL SECTIONS

A101