

**CASEMENT(OUTSWING SINGLE)- LONG LEGS
 TSX40**

101 / CASEMENT O.S. HINGE JAMB (BUTT HINGES)

110 / CASEMENT O.S. HEADER (LIMITER)

104 / CASEMENT O.S. LOCK JAMB (MULTIPOINT)

111 / CASEMENT O.S. SILL (LIMITER)

ORDER #
 PROJECT NAME
 DEALER NAME

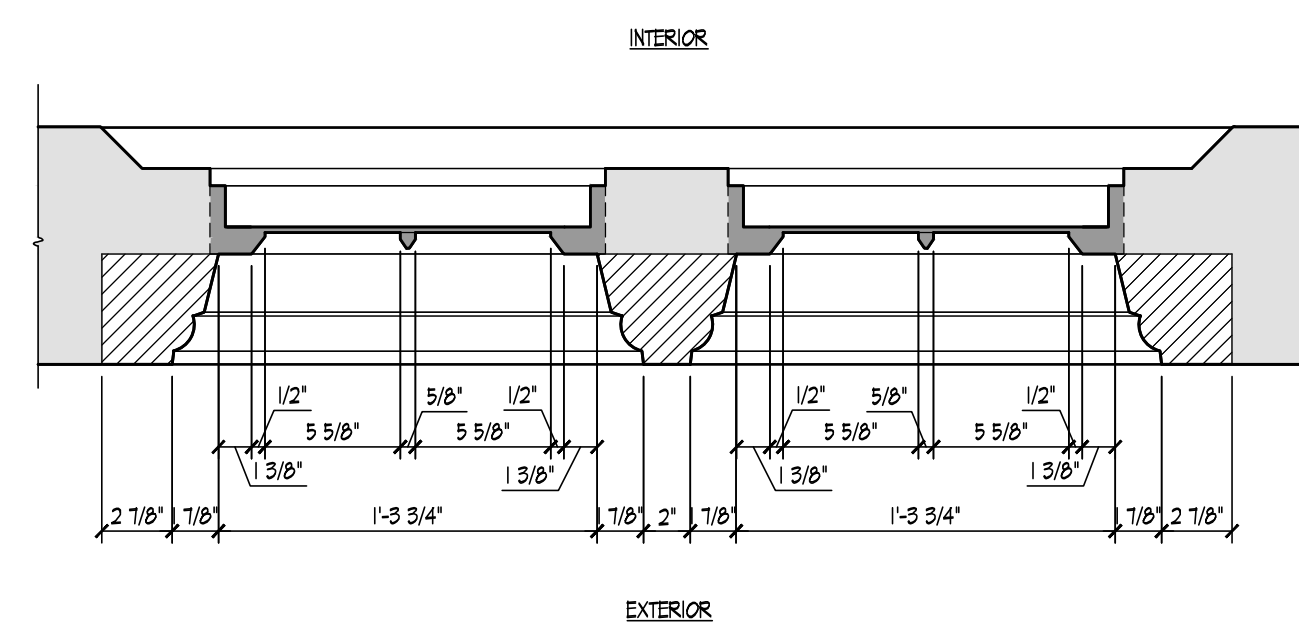
ORCIDIA C. L. U. S. T. O. M.
 WINDOWS AND DOORS SOLUTIONS
 STEEL - ALUMINUM - WOOD

9905 S. OLIVIA RD.
 TULSA, OK 74117
 TEL: (800) 284-3070
 FAX: (800) 288-1838

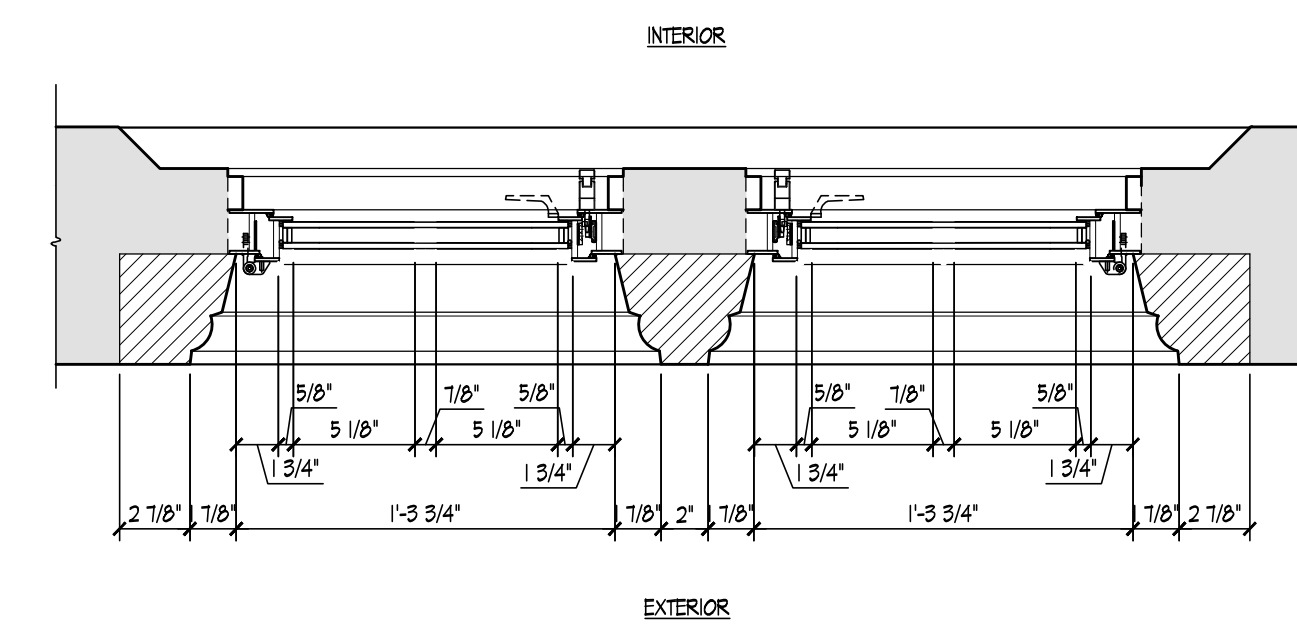
DRAWN BY: DRAWN
 CHECKED BY: JK
 DATE: DATE
 SCALE: 8" = 1'
 REVISIONS:

5.01A

All dimensions and conditions shown in these Shop Drawings should be verified in the field before fabrication & installation. Substrate details are for reference only and must be verified by Sub-Contractor and Architect.

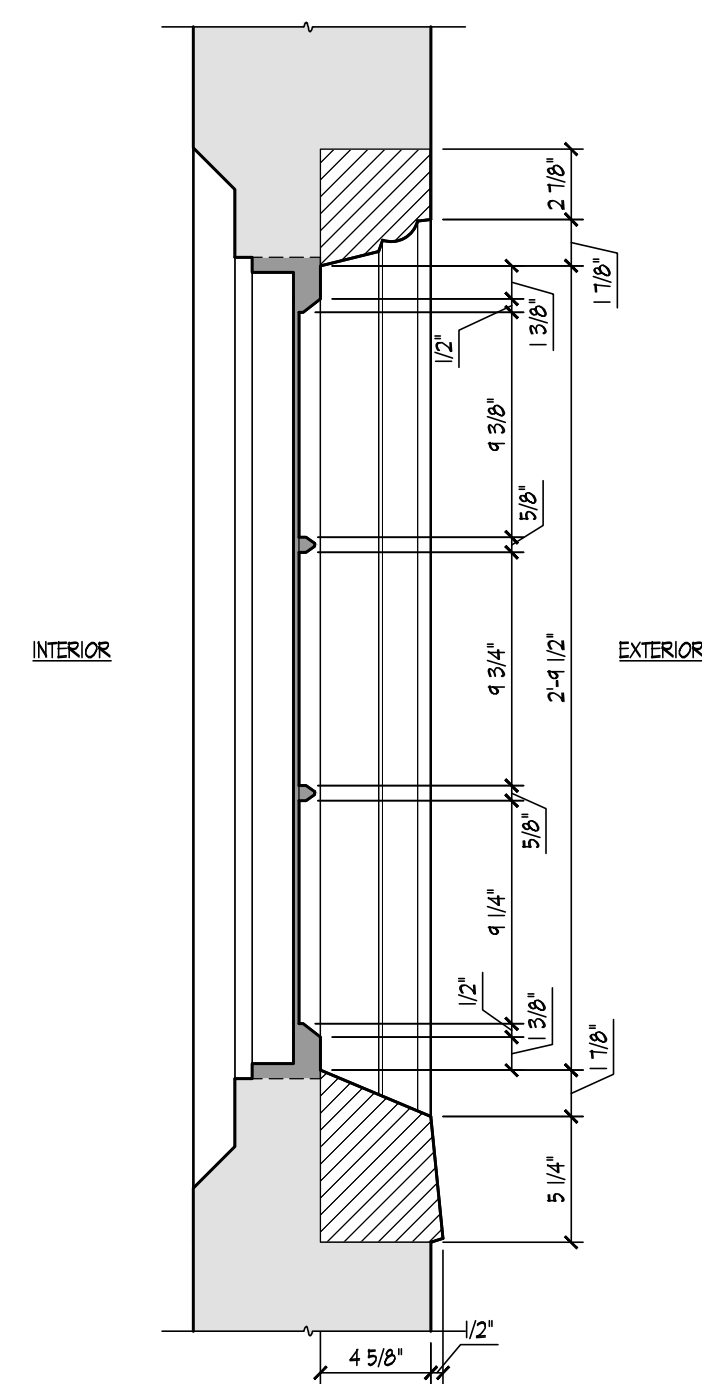


TYPICAL PLAN DETAIL AT
 EXISTING RECTANGULAR WINDOWS
 SCALE: 1/2" = 1'-0"

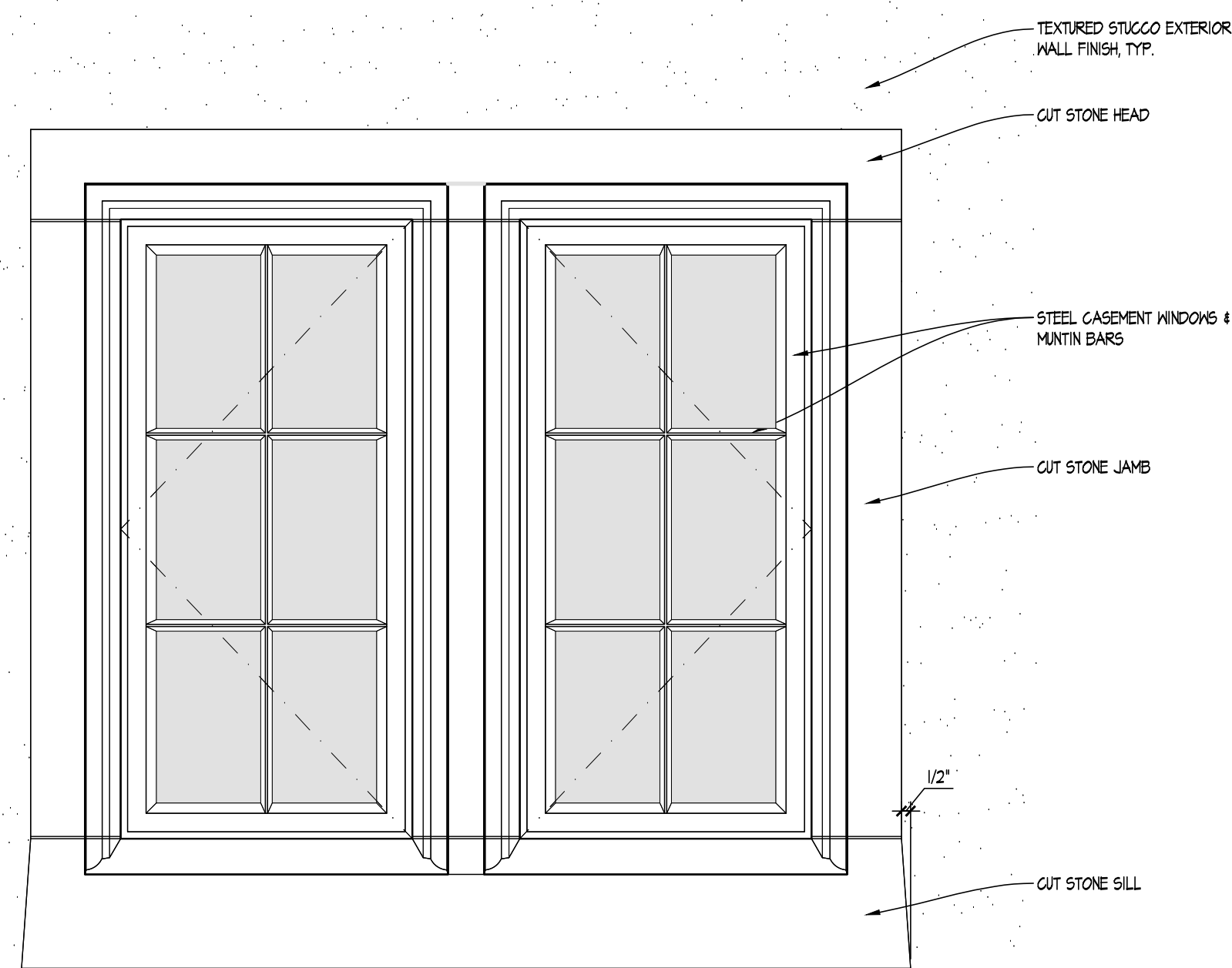


TYPICAL PLAN DETAIL AT
 NEW RECTANGULAR WINDOWS
 SCALE: 1/2" = 1'-0"

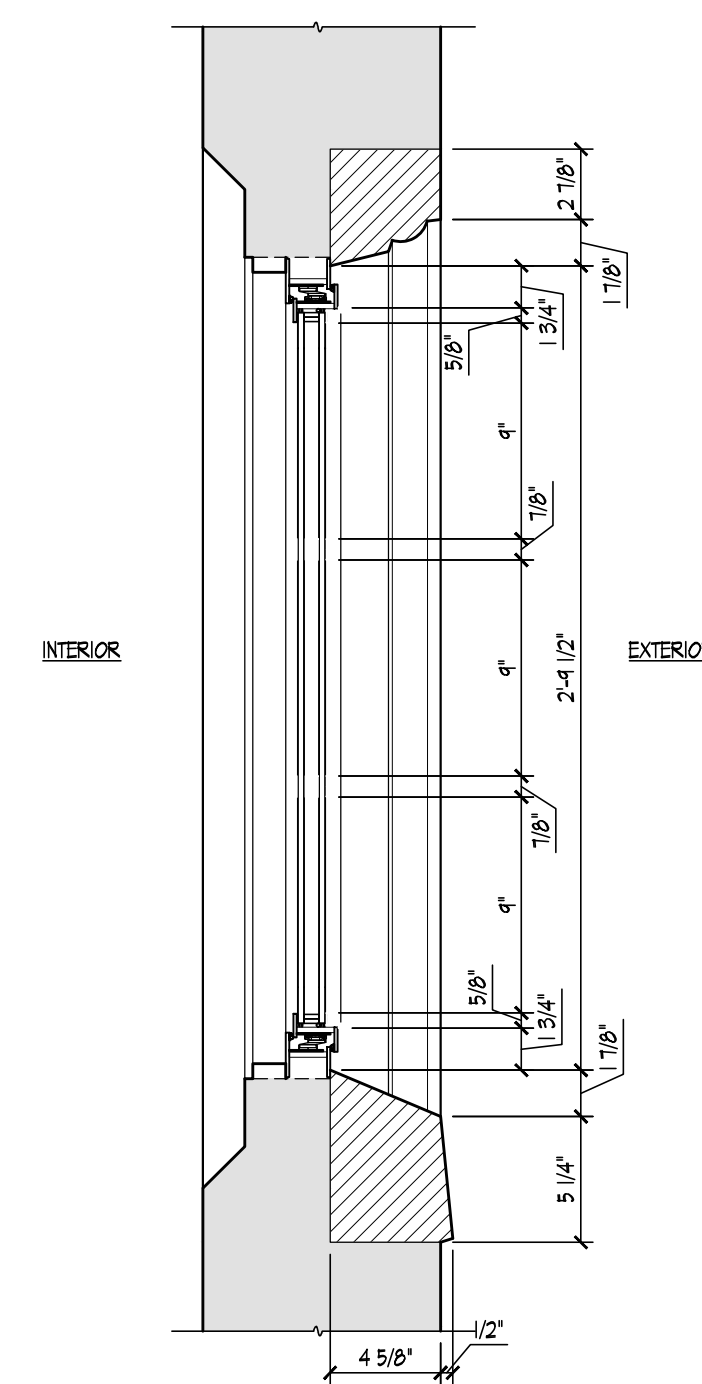
CRITICAL NOTE: FIELD VERIFY ALL DIMENSIONS
 TO MATCH EXISTING AS CLOSE AS POSSIBLE
 PRIOR TO FABRICATION. NOTIFY ARCHITECT
 OF DISCREPANCIES.



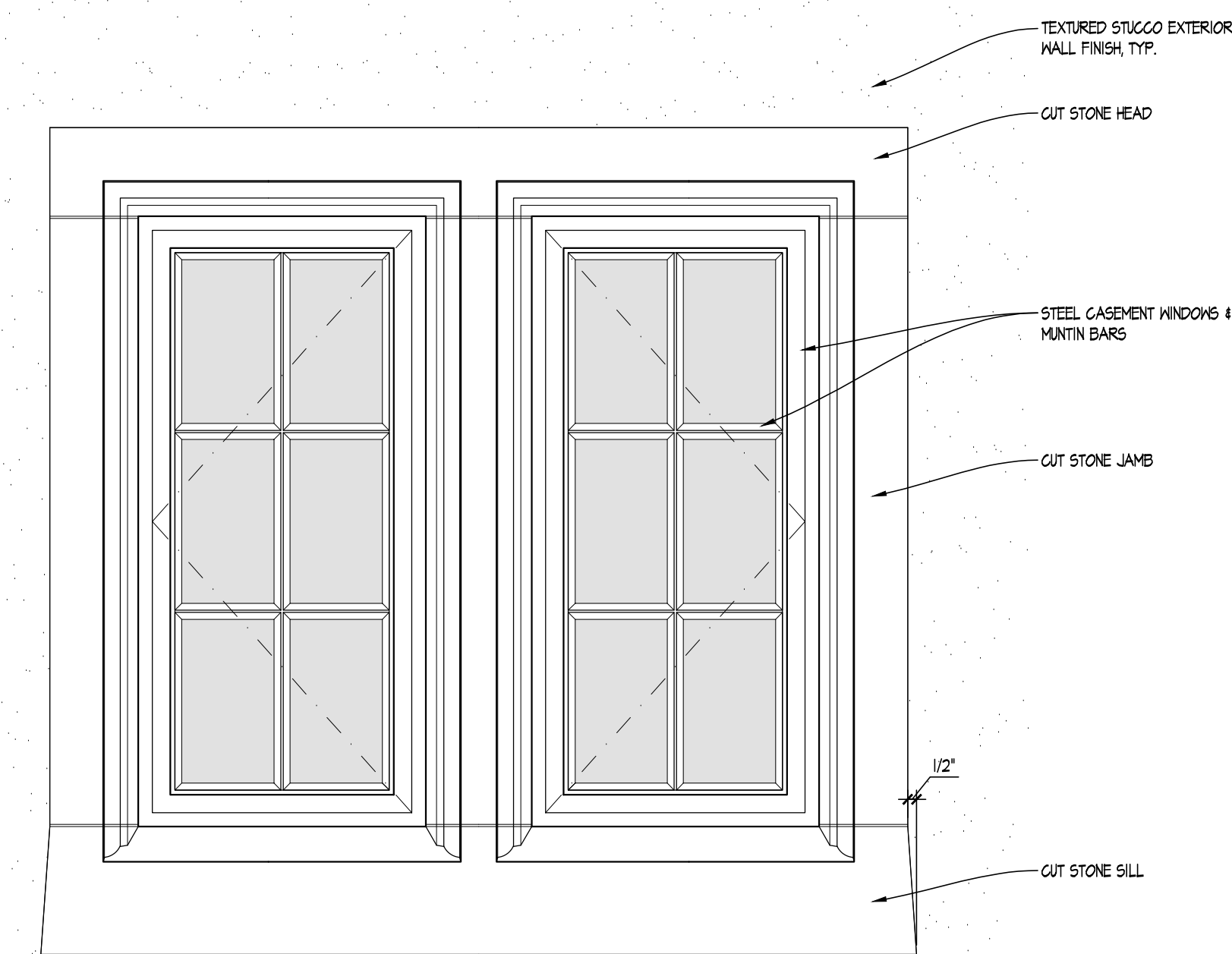
TYPICAL SECTION DETAIL AT
 EXISTING RECTANGULAR WINDOWS
 SCALE: 1/2" = 1'-0"



TYPICAL ELEVATION DETAIL AT
 EXISTING RECTANGULAR WINDOWS
 SCALE: 1/2" = 1'-0"



TYPICAL SECTION DETAIL AT
 NEW RECTANGULAR WINDOWS
 SCALE: 1/2" = 1'-0"



TYPICAL ELEVATION DETAIL AT
 NEW RECTANGULAR WINDOWS
 SCALE: 1/2" = 1'-0"