

Presented by

Epic Group of Ohio

Frame: **Black**

Louvers: **Tex Grey**

Elevation: **At Grade**

Project

Goldberg

Address

**2355 Commonwealth Park S.
Bexley, OH 43209**

Project sheets

A / 00 Cover page

A / 01 Top view

A / 02 Beams & Gutter plan

A / 03 Section A-A

A / 04 Section B-B

A / 05 Details

A / 06 Details

A / 07 Details

A / 08 Details

A / 09 Details

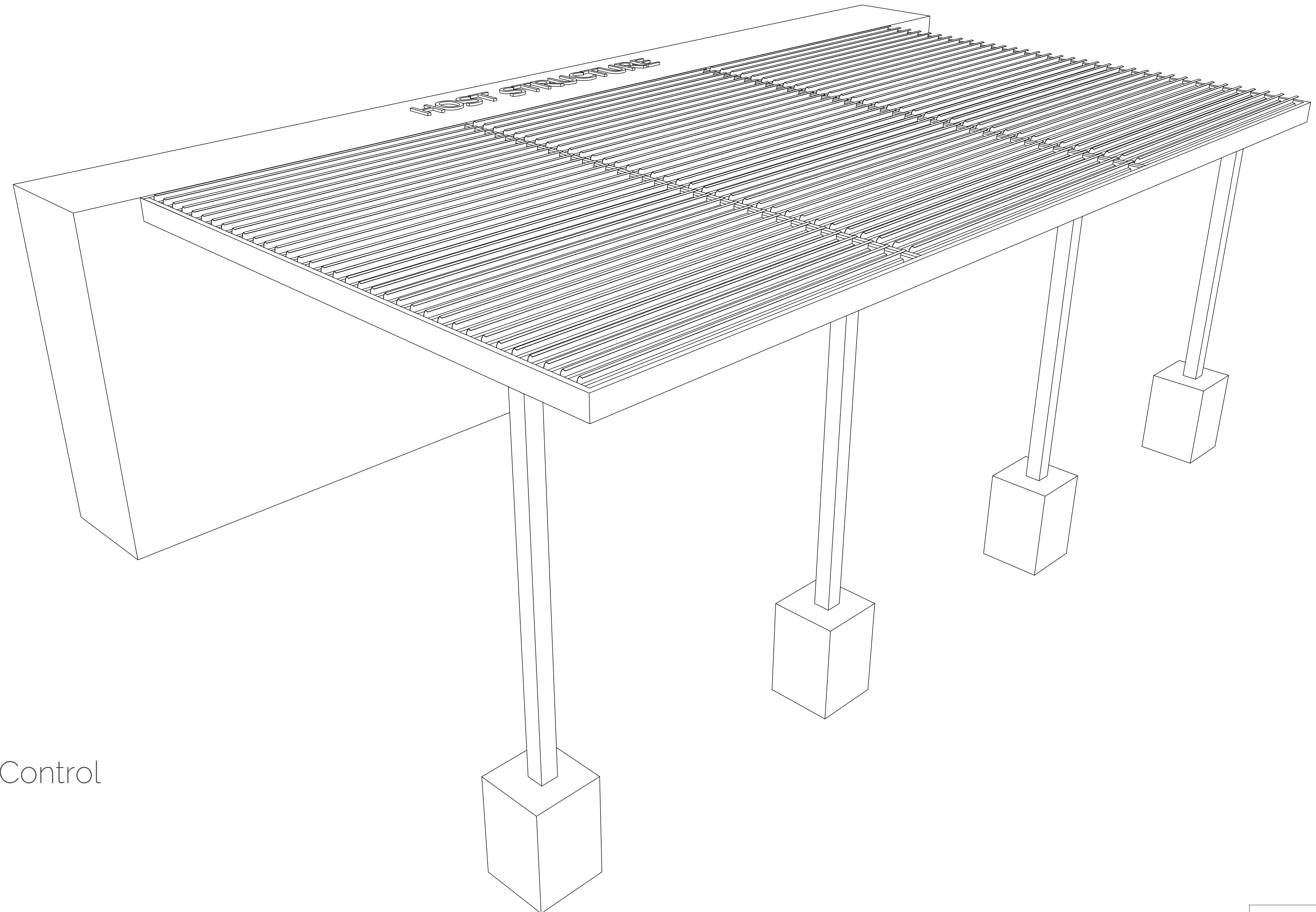
A / 10 Details

A / 11 Details

A / 12 Details

A / 13 Revisions

Louvered StruXure Motor & Pergola Control



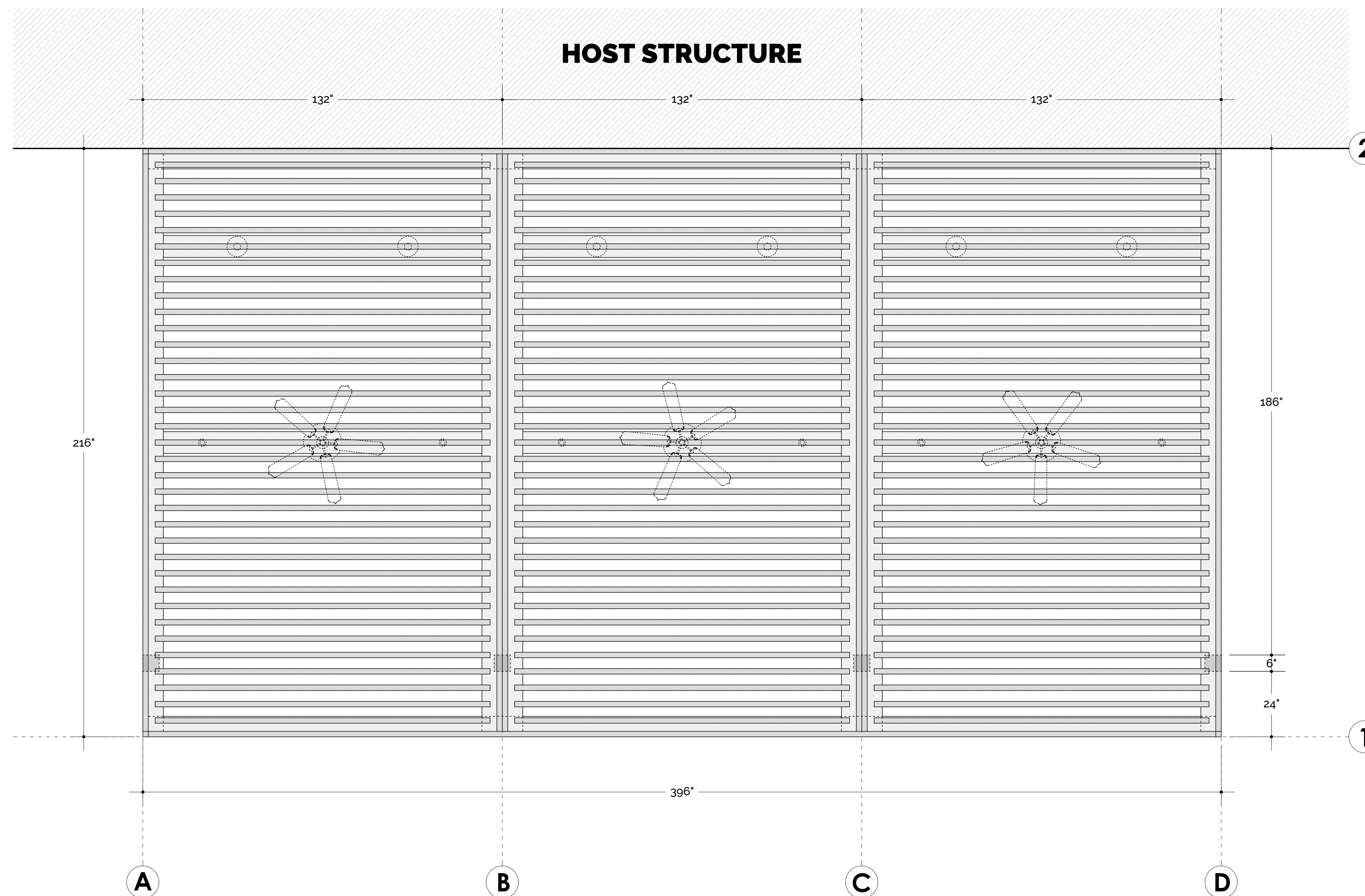
Aluminium Type:
Louvers 6063-T5
All Other Components 6063-T6

Aluminium Type:
Louvers 6063-T5
All Other Components 6063-T6



STRUXURE™

154 Ethan Allen Dr.,
Dahlonega, GA 30533.
Tel: 800 303 5248
Fax: 678 208 6764
E-mail: info@struxure.com



1 TOP VIEW
SCALE: 1/2" = 1'-0"

Project: **Goldberg**
Address: **2355 Commonwealth Park S.
Bexley, OH 43209**

Document Date
12 / 2019
Document Phase
Construction Documents

Revision

Sheet name
Top View

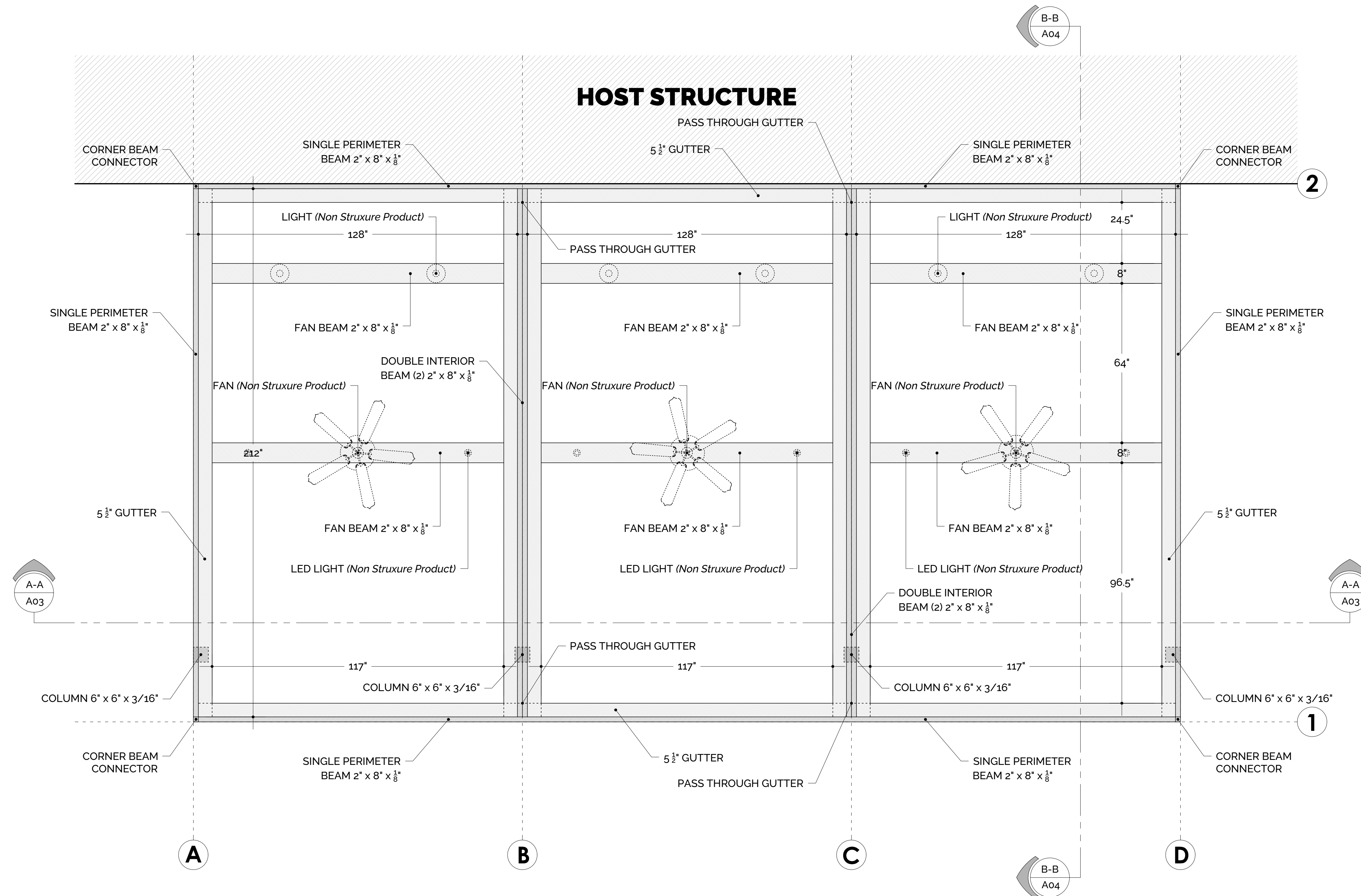
A 01

Scale **1/2" = 1'-0"**

Aluminium Type:
Louvers 6063-T5
All Other Components 6063-T6

STRUXURE™

154 Ethan Allen Dr.,
Dahlonega, GA 30533.
Tel: 800 303 5248
Fax: 678 208 6764
E-mail: info@struxure.com



1 BEAMS & GUTTER PLAN
SCALE: 1/2" = 1'-0"

Project: **Goldberg**
Address: **2355 Commonwealth Park S.
Bexley, OH 43209**

Document Date: **12 / 2019**
Document Phase: **Construction Documents**

Revision

Sheet name: **Beams & Gutter Plan**

A 02

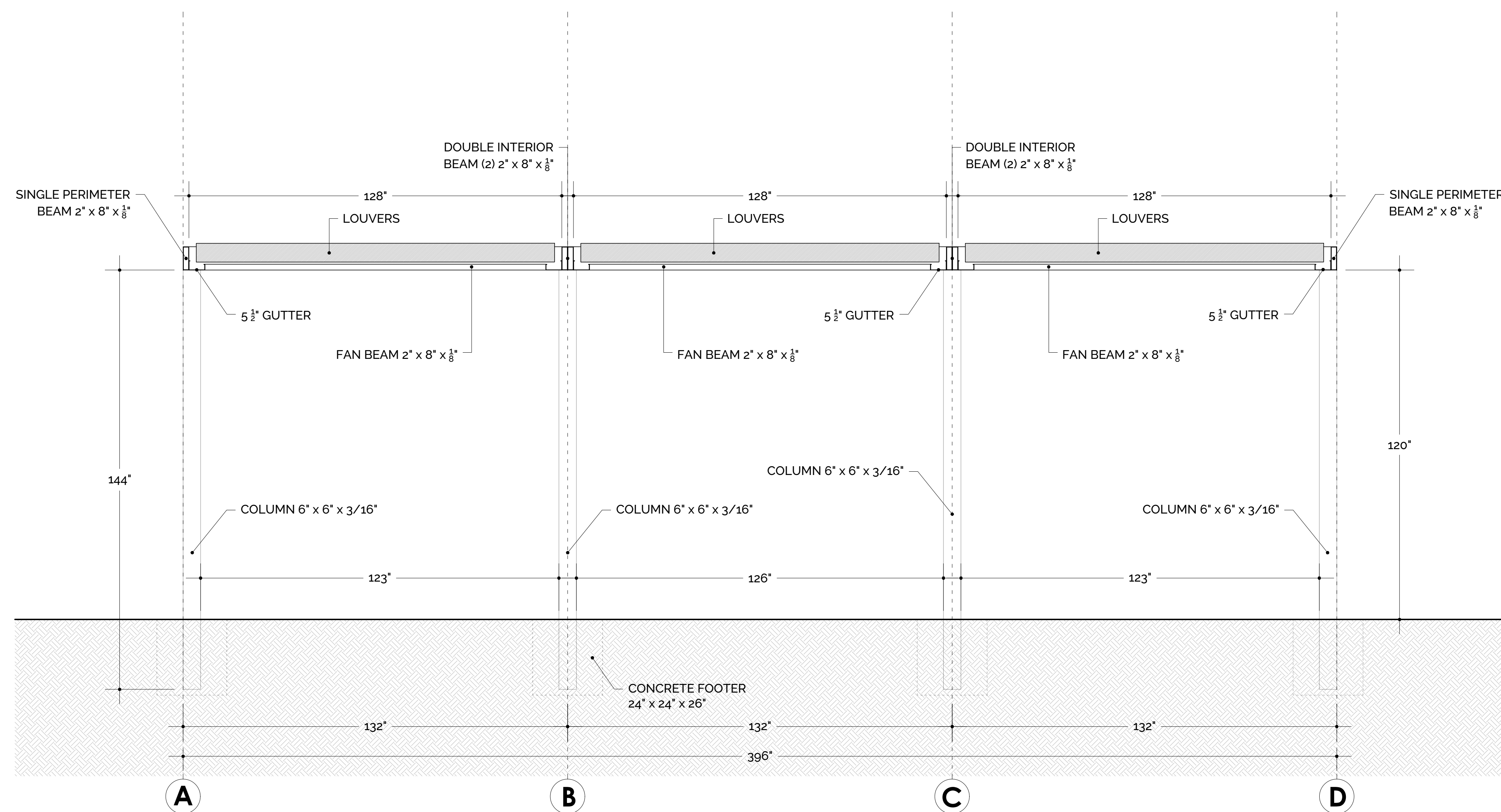
Scale: **1/2" = 1'-0"**

Aluminium Type:
Louvers 6063-T5
All Other Components 6063-T6



STRUXURE™

154 Ethan Allen Dr.,
Dahlonega, GA 30533.
Tel: 800 303 5248
Fax: 678 208 6764
E-mail: info@struxure.com



1 SECTION A-A
SCALE: 1/2" = 1'-0"

Project: **Goldberg**
Address: **2355 Commonwealth Park S.
Bexley, OH 43209**

Document Date
12 / 2019
Document Phase
Construction Documents

Revision

Sheet name
Section A-A

A 03

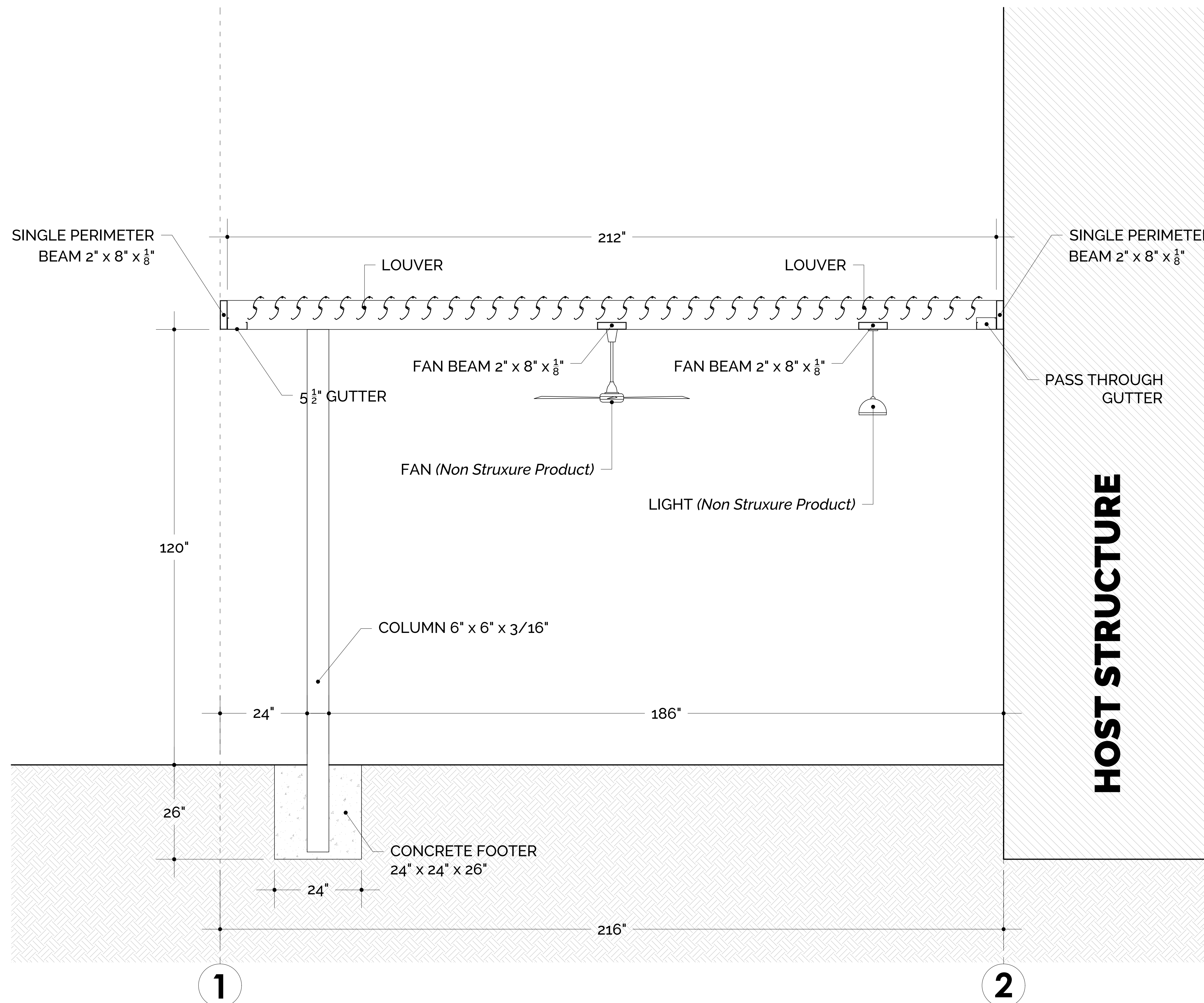
Scale **1/2" = 1'-0"**

Aluminium Type:
Louvers 6063-T5
All Other Components 6063-T6



STRUXURE™

154 Ethan Allen Dr.,
Dahlonega, GA 30533.
Tel: 800 303 5248
Fax: 678 208 6764
E-mail: info@struxure.com



1 SECTION B-B
SCALE: 1/2" = 1'-0"

Project: **Goldberg**
Address: **2355 Commonwealth Park S.
Bexley, OH 43209**

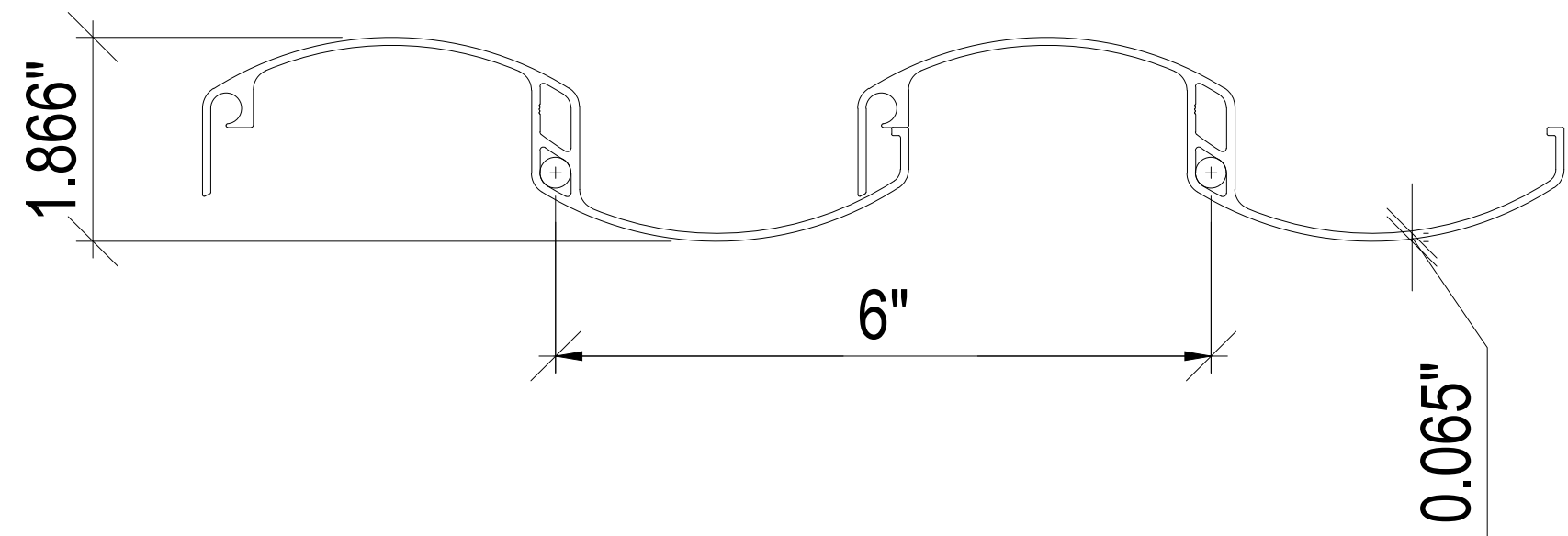
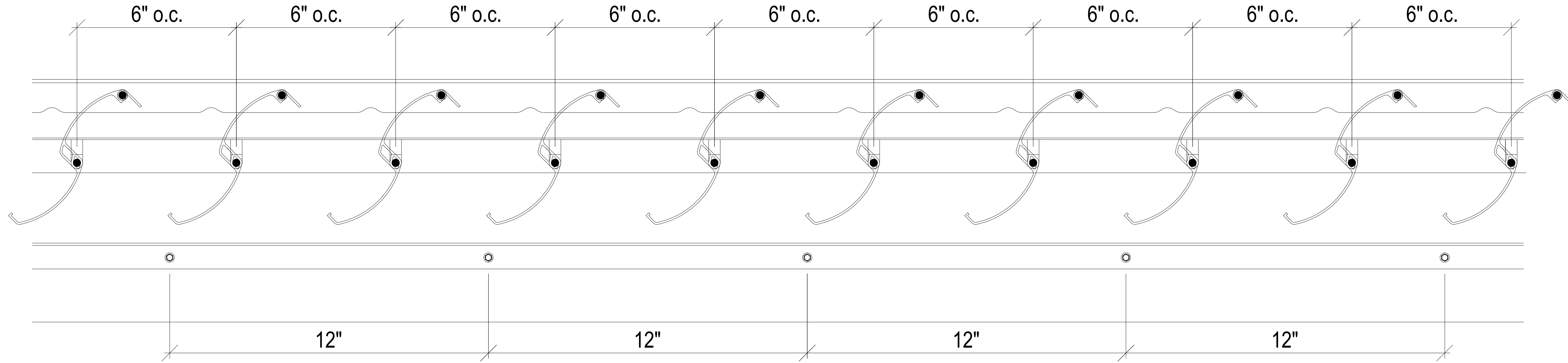
Document Date
12 / 2019
Document Phase
Construction Documents

Revision

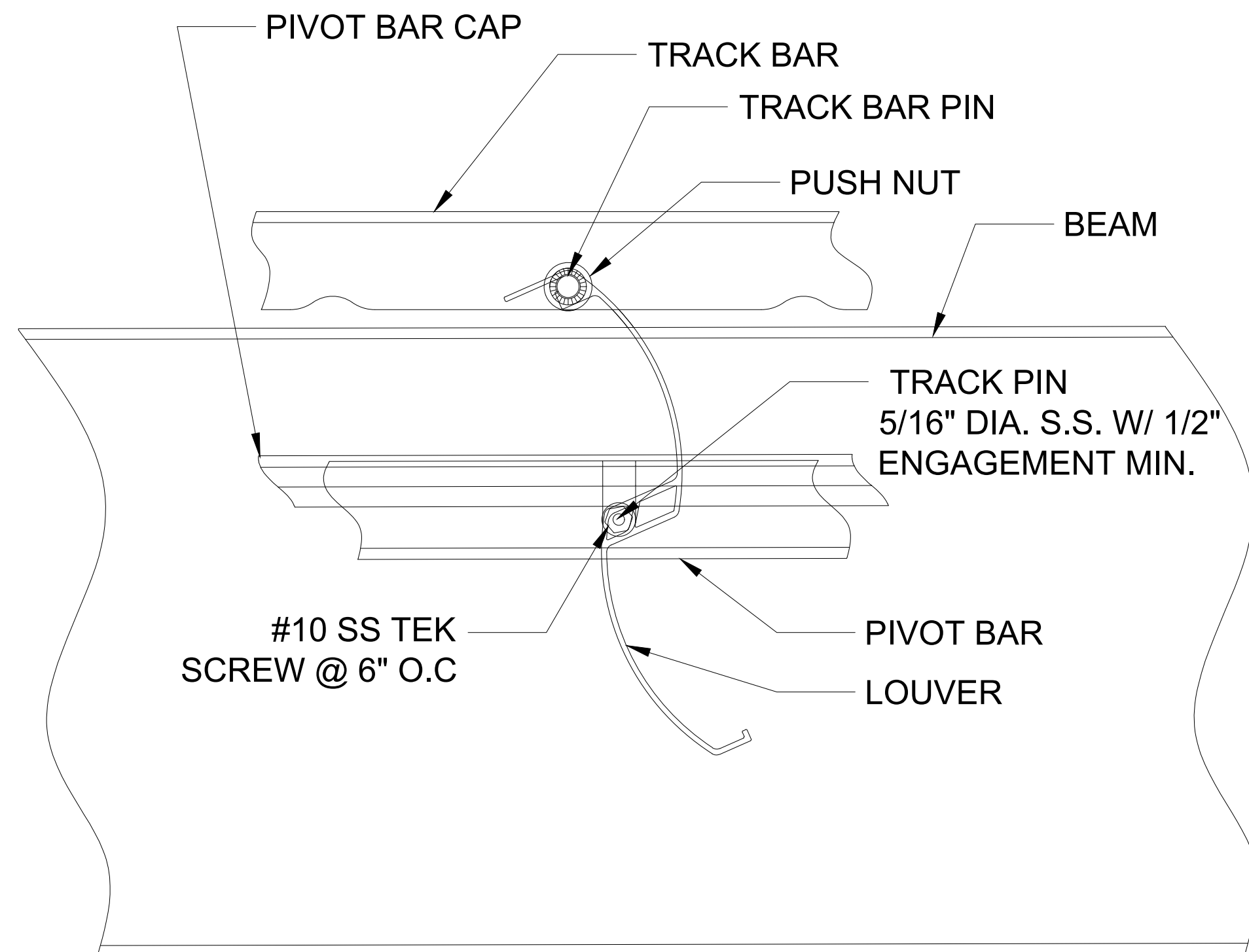
Sheet name
Section B-B

A 04

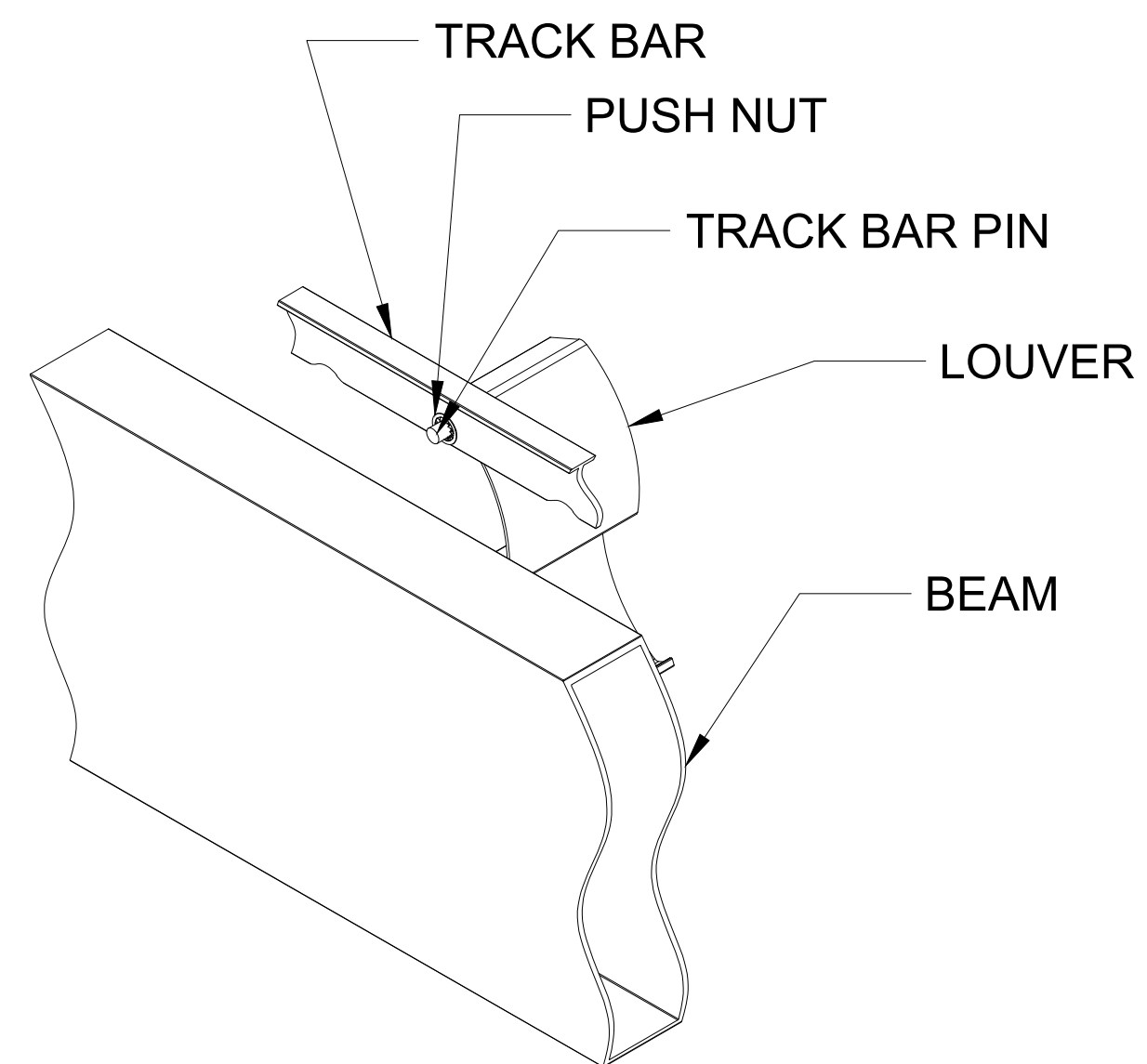
Scale **3/4" = 1'-0"**



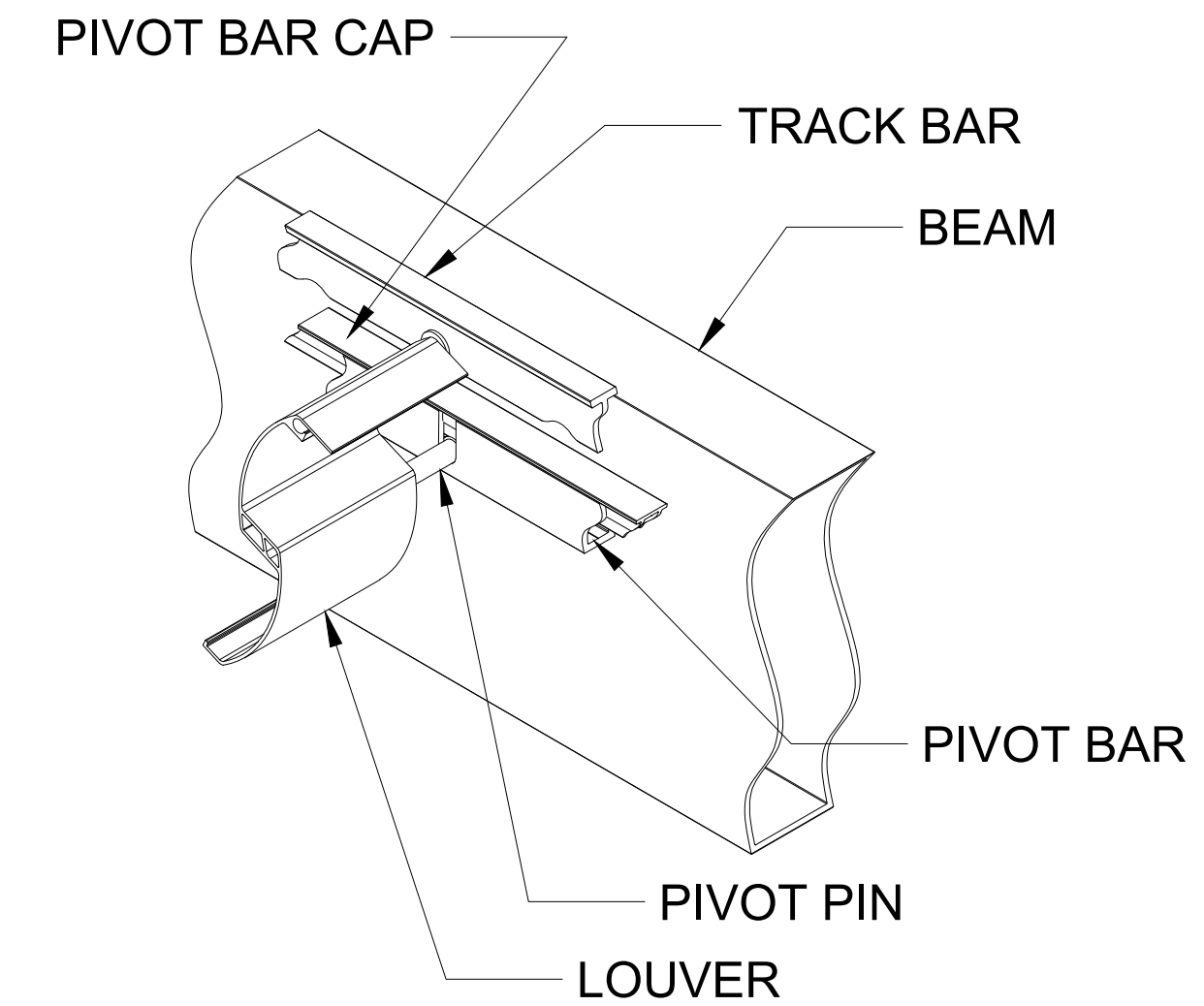
LOUVERS DETAIL



SIDE VIEW



ISOMETRIC OUT-SIDE VIEW



ISOMETRIC IN-SIDE VIEW

Project:

Goldberg

Address:

**2355 Commonwealth Park S.
 Bexley, OH 43209**

Document Date

12 / 2019

Document Phase

Construction Documents

Revision

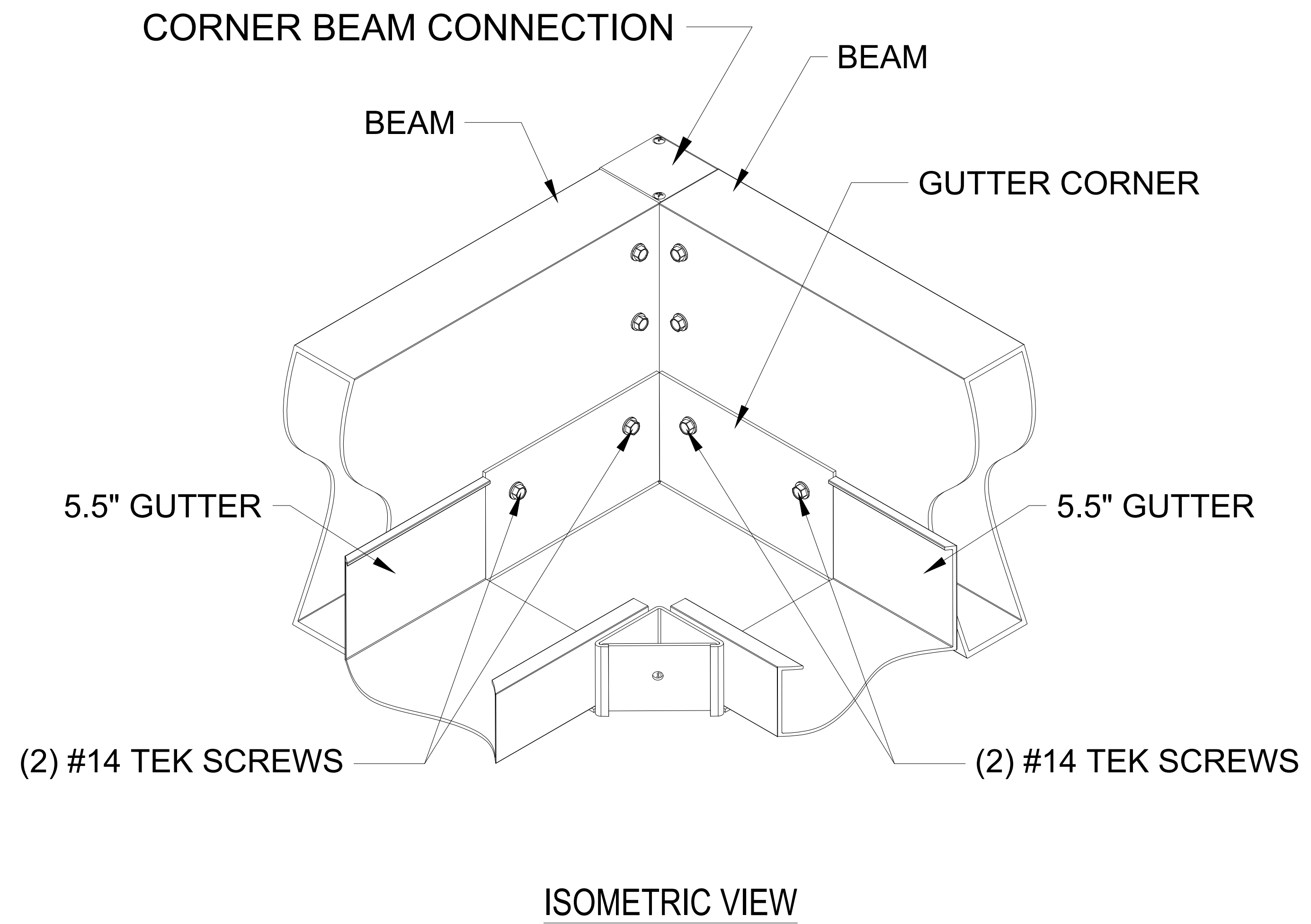
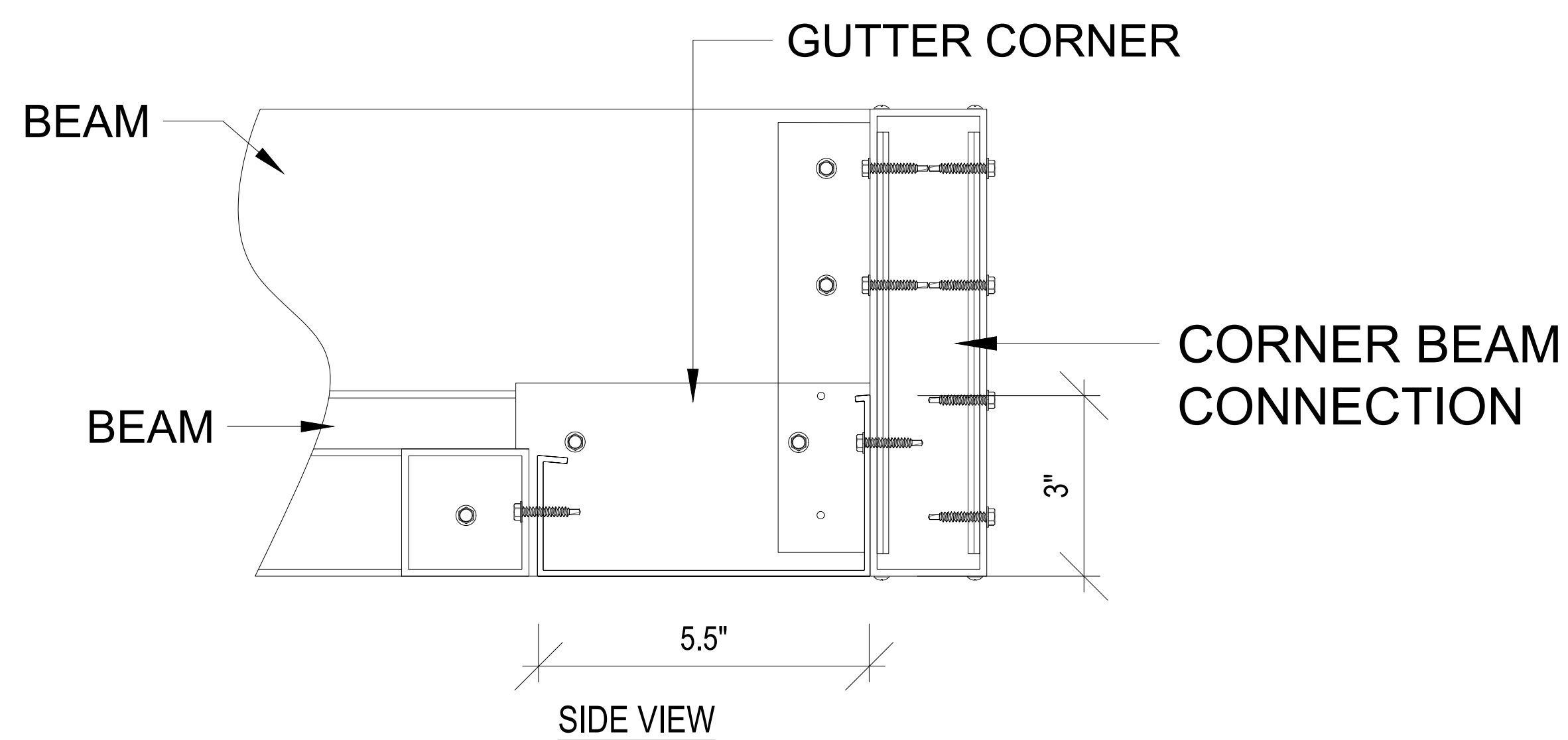
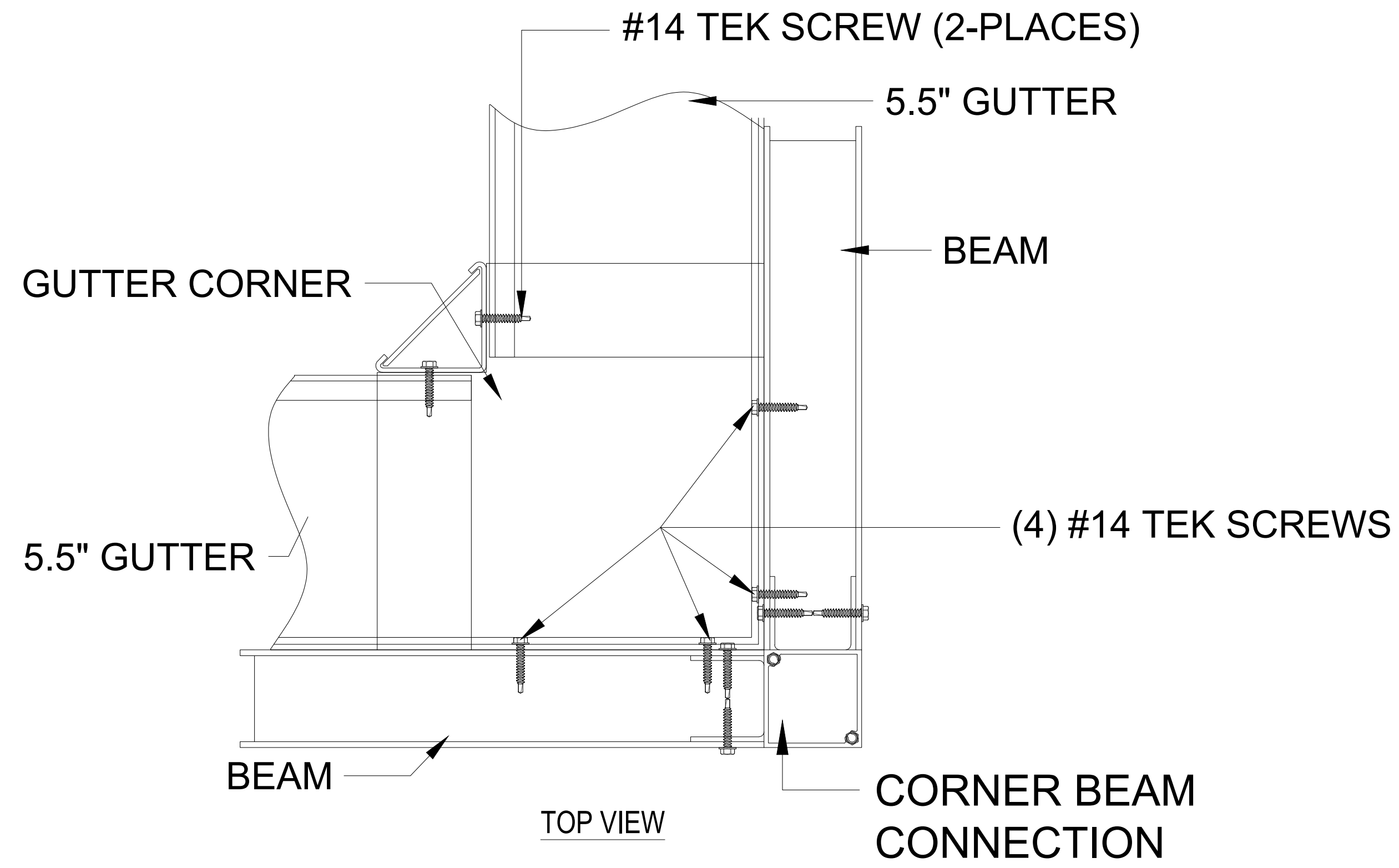
Sheet name

Details

A 05

Scale

N.T.S.



Project: **Goldberg**
 Address: **2355 Commonwealth Park S.
 Bexley, OH 43209**

Document Date
12 / 2019
 Document Phase
Construction Documents

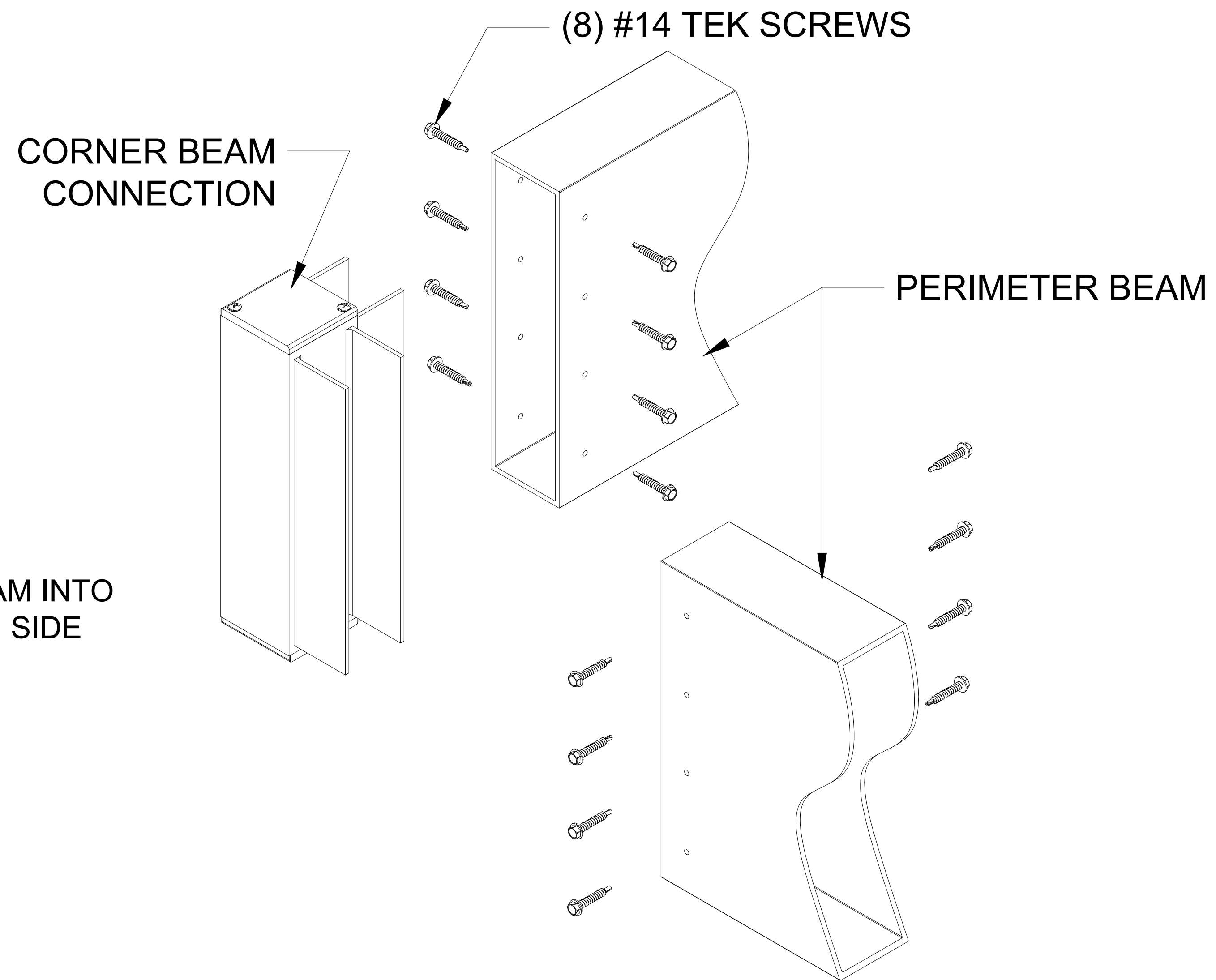
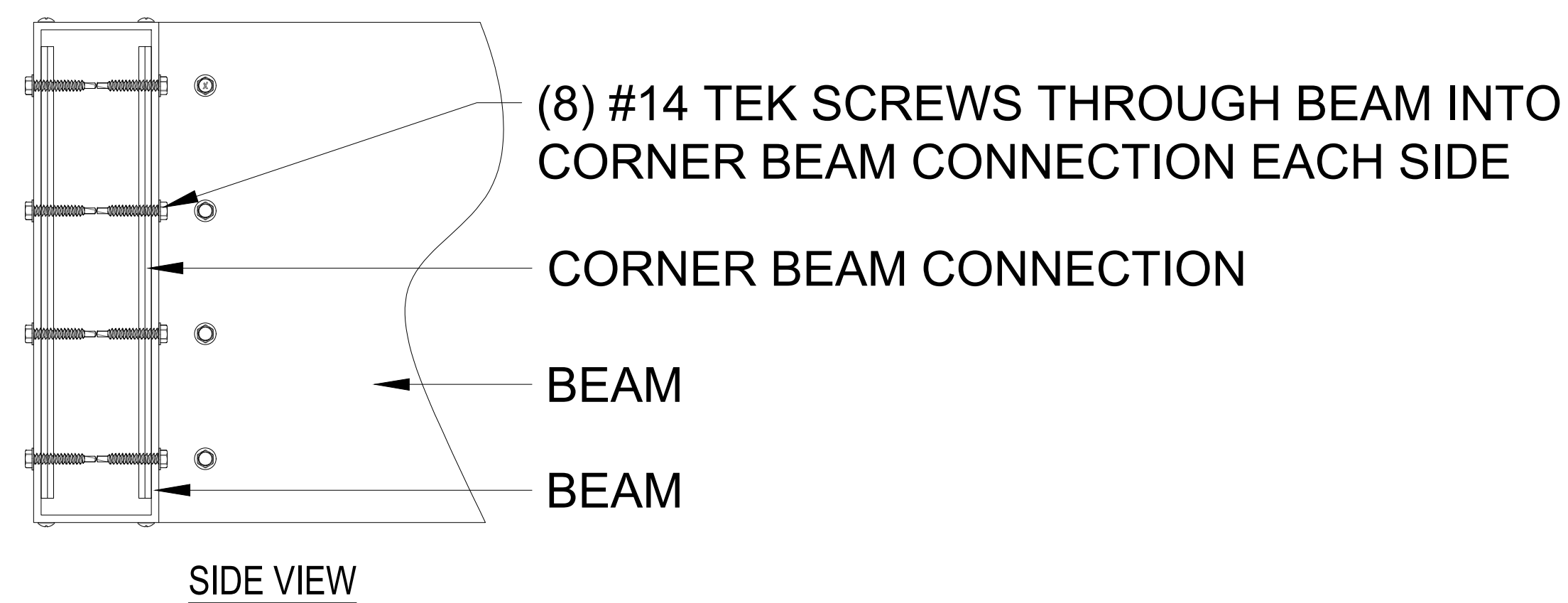
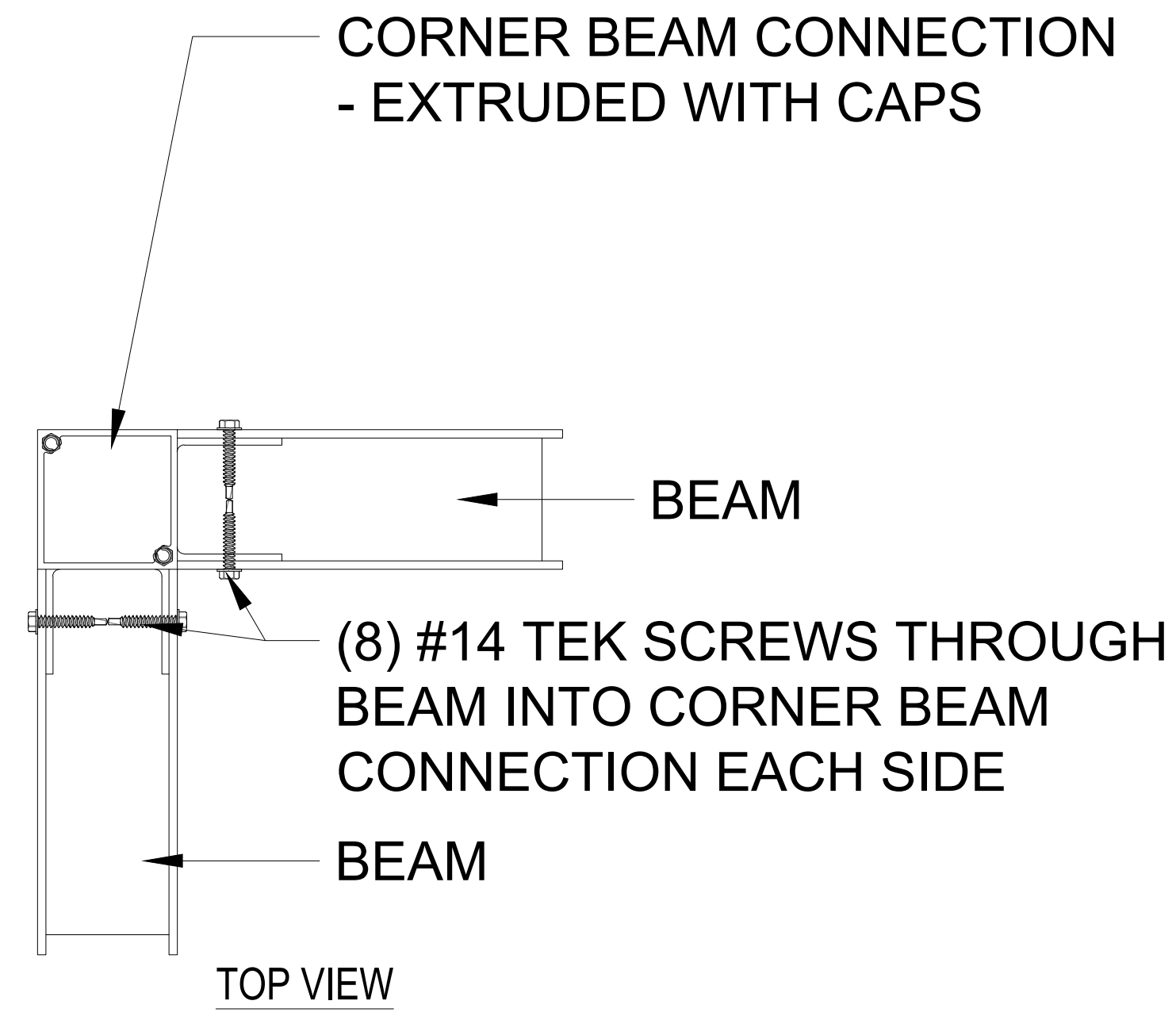
Revision

Sheet name
Details

A 06

Scale **N.T.S.**

GUTTER ASSEMBLY



Project:

Goldberg

Address:

**2355 Commonwealth Park S.
 Bexley, OH 43209**

Document Date

12 / 2019

Document Phase

Construction Documents

Revision

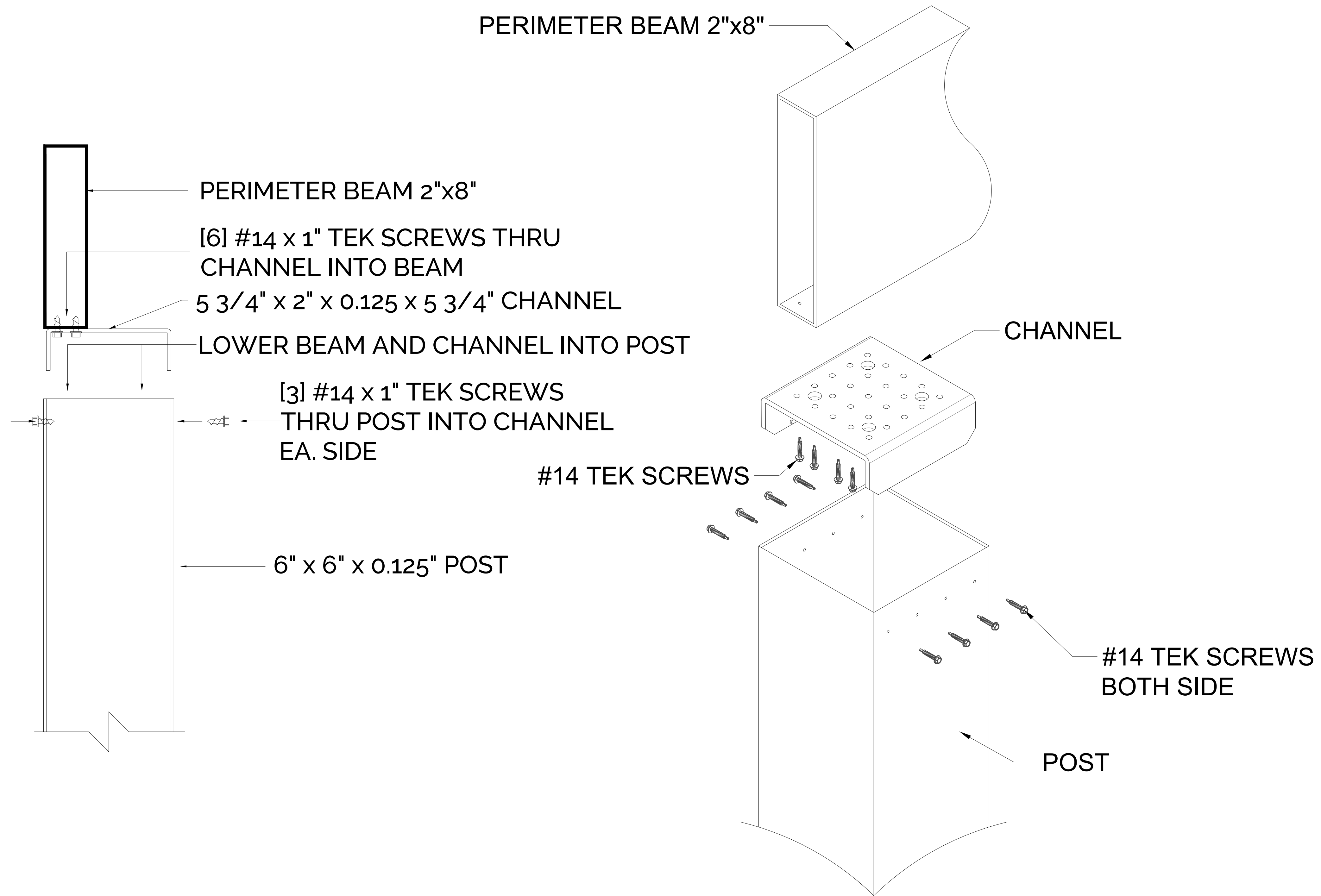
Sheet name

Details

A 07

Scale

N.T.S.



Project: **Goldberg**
 Address: **2355 Commonwealth Park S.
 Bexley, OH 43209**

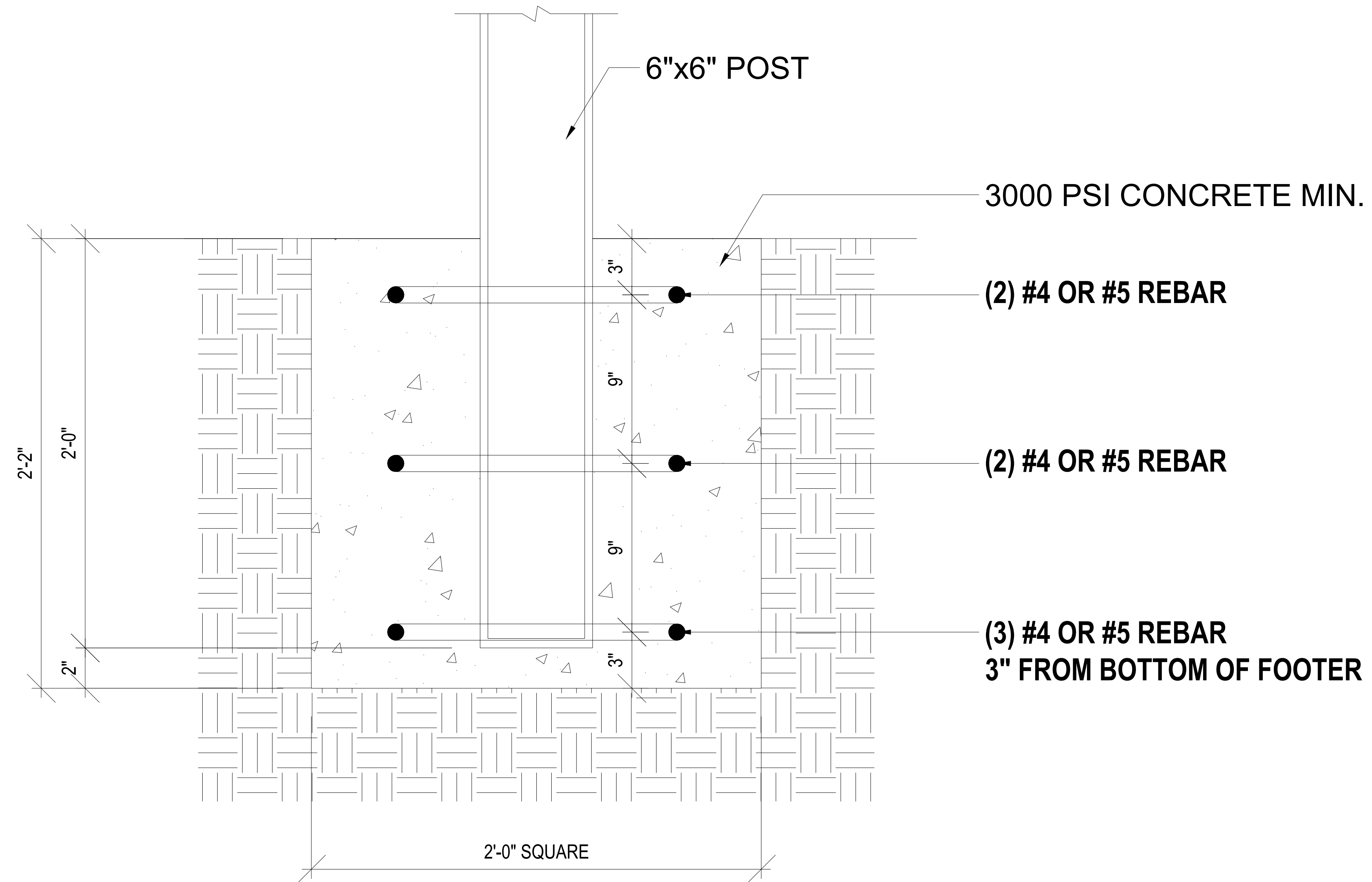
Document Date
12 / 2019
 Document Phase
Construction Documents

Revision

Sheet name
Details

A 08

Scale **N.T.S.**



Project:

Goldberg

Address:

**2355 Commonwealth Park S.
Bexley, OH 43209**

Document Date

12 / 2019

Document Phase

Construction Documents

Revision

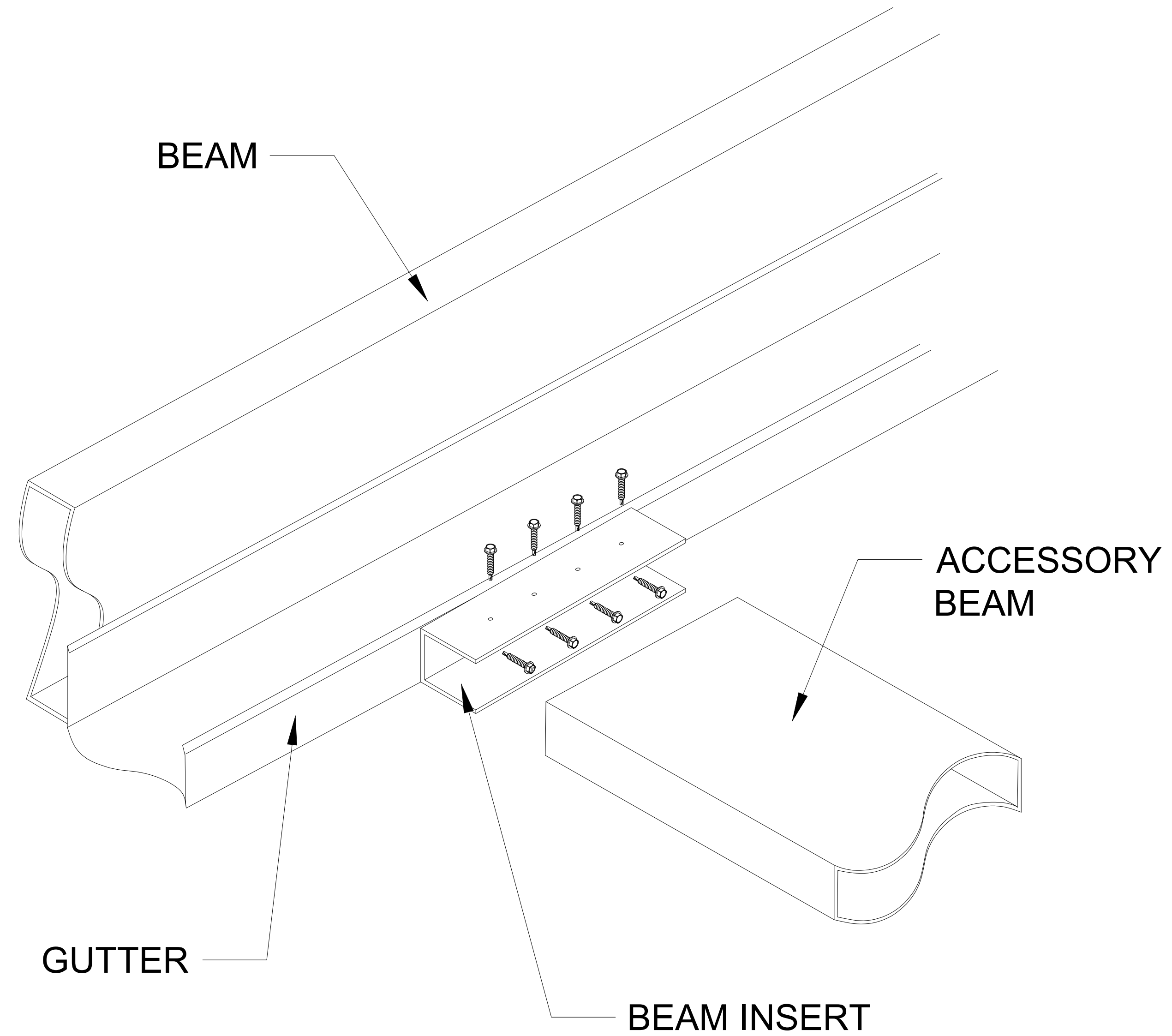
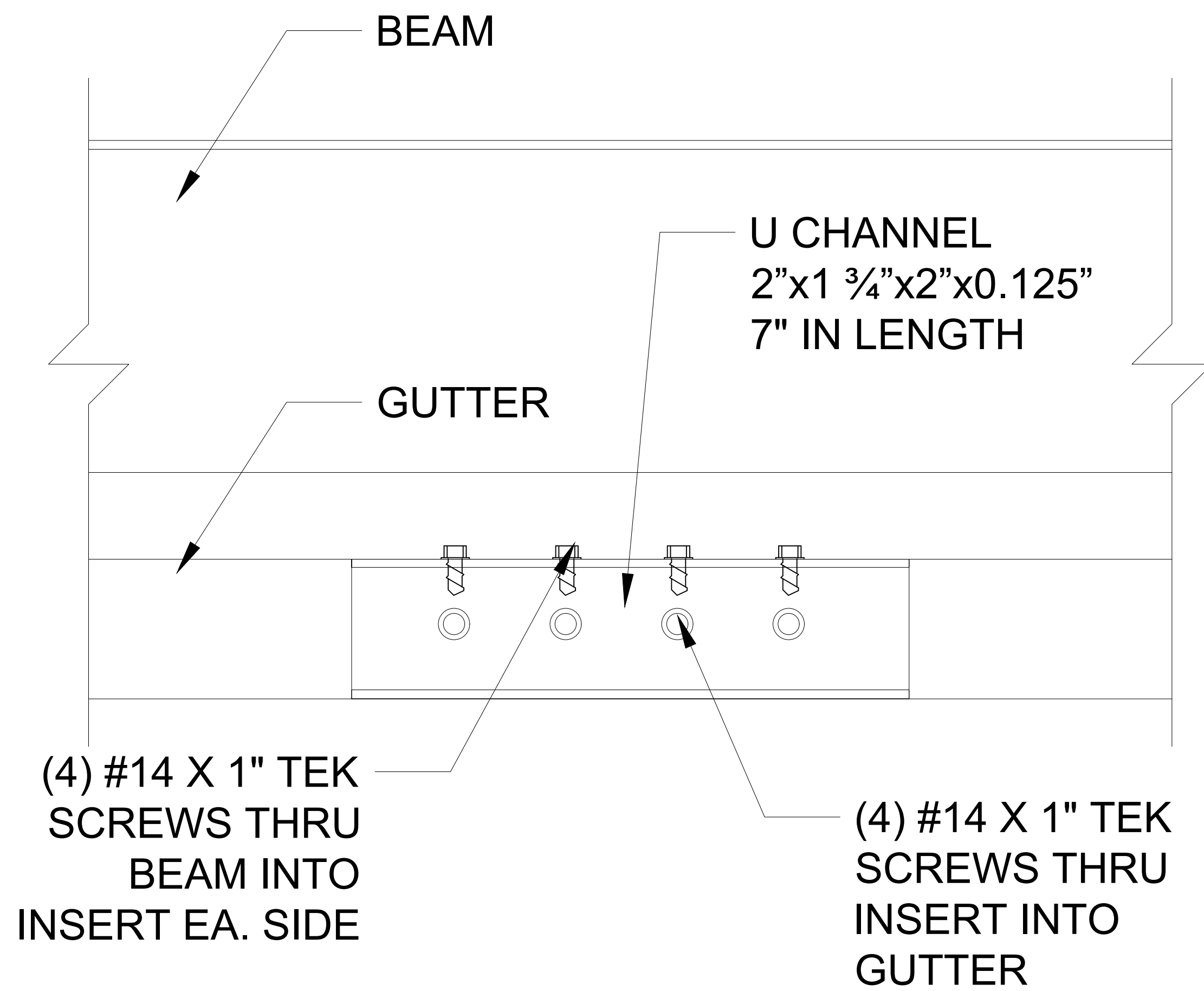
Sheet name

Details

A 09

Scale

N.T.S.



Project: **Goldberg**
Address: **2355 Commonwealth Park S.
Bexley, OH 43209**

Document Date
12 / 2019
Document Phase
Construction Documents

Revision

Sheet name
Details

A 10

Scale **N.T.S.**

Project: **Goldberg**
 Address: **2355 Commonwealth Park S.
 Bexley, OH 43209**

Document Date

12 / 2019

Document Phase

Construction Documents

Revision

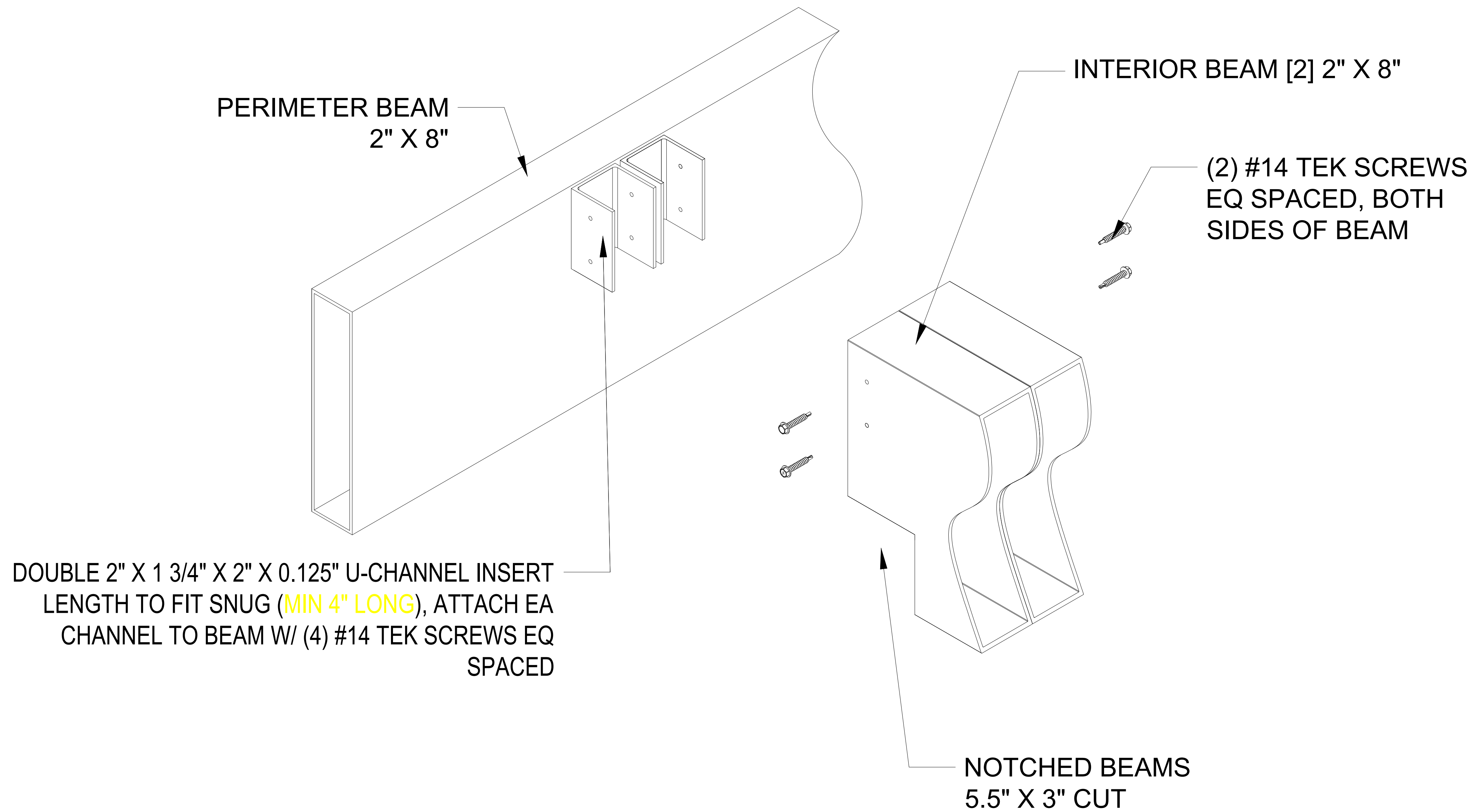
Sheet name

Details

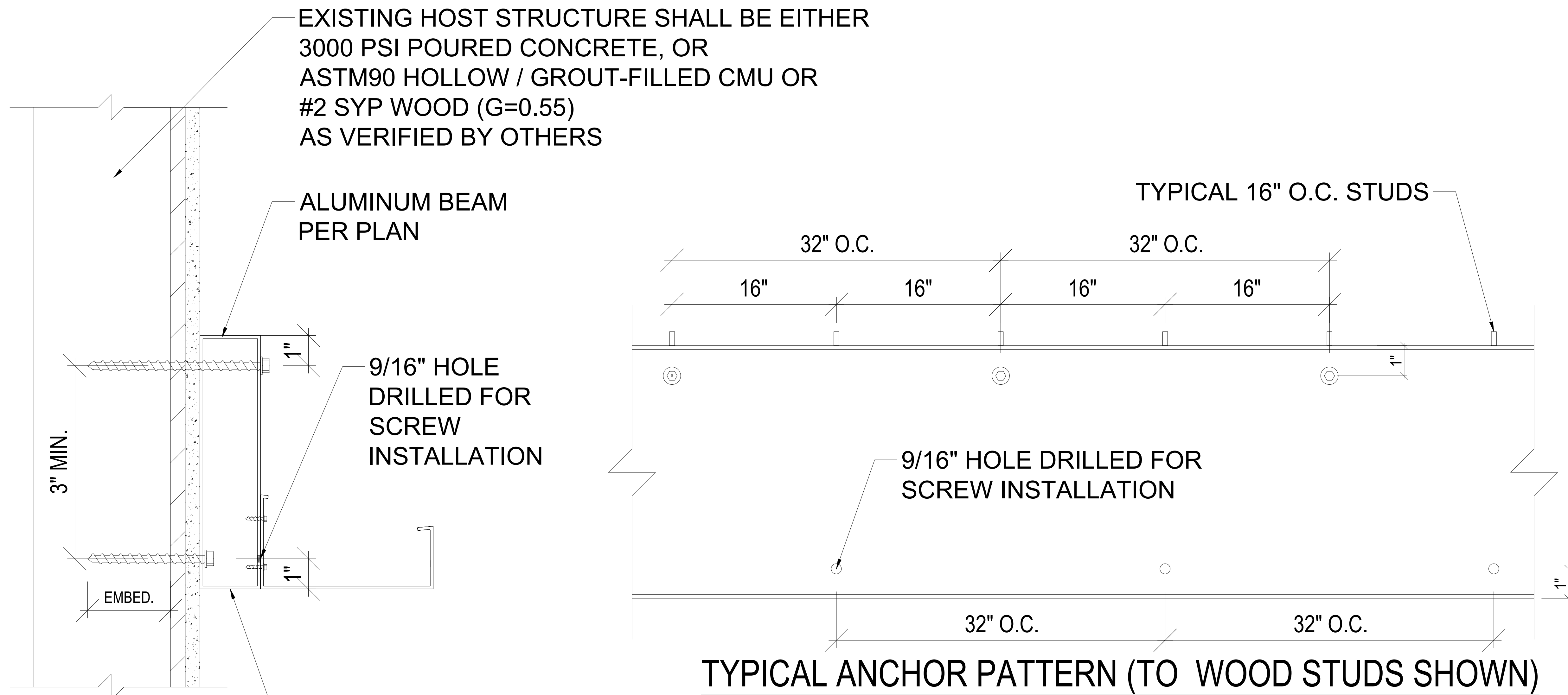
A 11

Scale

N.T.S.



TYPICAL DOUBLE BEAM TO BEAM CONNECTION
2" X 8" BEAMS
5.5" PASS THROUGH GUTTER



FOR CONCRETE ATTACHMENT:
 [2] 1/4" DIAM. ITW STAINLESS STEEL TAPCON INTO WALL W/ 3" EMBEDMENT AND 3" EDGE DISTANCE, SPACED 12" O.C. STAGGERED

FOR WOOD ATTACHMENT:
 [2] 1/4" DIAM. S.S. WOOD LAG SCREWS INTO WALL W/ 3" THREAD ENGAGEMENT AND 3/4" MINIMUM EDGE DISTANCE, SPACED 16" O.C. STAGGERED

FOR HOLLOW CMU ATTACHMENT:
 [2] 1/4" DIAM. S.S. HILTI KWIK-CON II+ INTO BLOCK FACE W/ 1-3/4" EMBEDMENT AND 3" MINIMUM EDGE DISTANCE, SPACED 12" O.C. STAGGERED

BEAM TO HOST STRUCTURE CONNECTION

Project: **Goldberg**
 Address: **2355 Commonwealth Park S.
 Bexley, OH 43209**

Document Date: **12 / 2019**
 Document Phase: **Construction Documents**

Revision

Sheet name: **Details**

A 12

Scale: **N.T.S.**

#	Date	Revision
1		
2		
3		
4		
5		

Note:

Project: **Goldberg**
 Address: **2355 Commonwealth Park S.
 Bexley, OH 43209**

Document Date

12 / 2019

Document Phase

Construction Documents

Revision

Sheet name

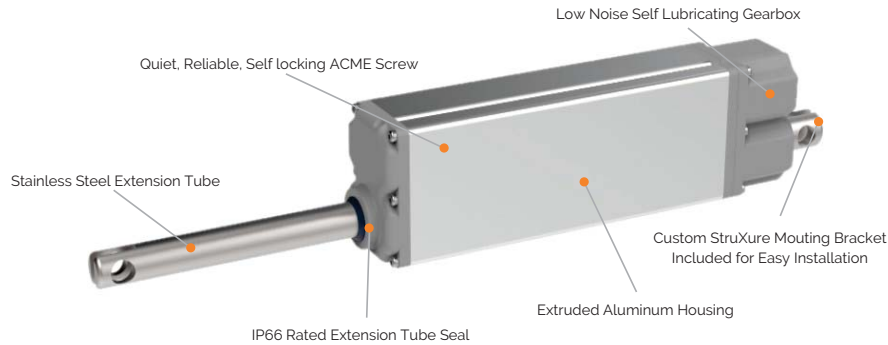
Revisions

A13

Scale

N.T.S.

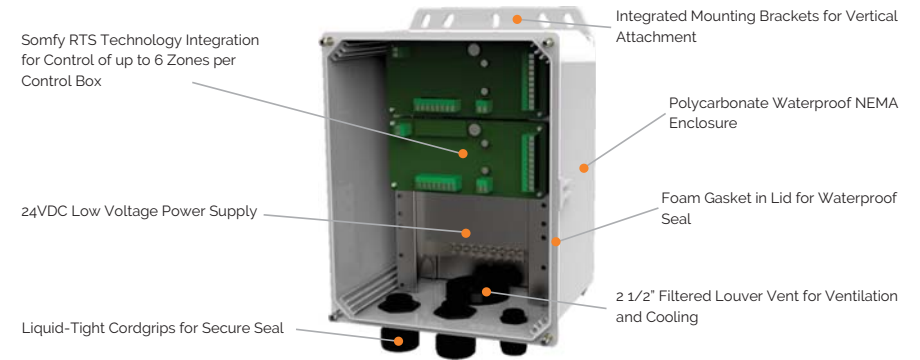
LOUVERED ROOF MOTOR



SOMFY TECHNICAL SPECIFICATIONS

SOMFY TECHNICAL SPECIFICATIONS		
VOLTAGE		
Input Voltage	[VDC]	24
LOAD		
Static Load (Fx), max.	[N/lbs]	2500 / 562
Dynamic Load (Fx), max.	[N/lbs]	2500 / 562
STROKE		
Stroke length, standard	[mm]	140
CURRENT		
Current consumption, rated load	[A]	1.875
GENERAL DATA		
Speed, no load	[mm/s]	3.4
Speed, rated load	[mm/s]	2.8
Operating temperature limits	[°C]	-10/+60
Service life	[Cycles]	± 10,000
Sound level	[dB(A)]	≤ 70
Lead screw type		ACME
Protection Class		IP66
Certificates		CE (EN60601-1)
Insulation		CLASS III

LOUVERED PERGOLA CONTROL



*Product dimensions: 10.59 x 8.59 x 6.96 in. / 268.99 x 218.19 x 176.78 mm

** Enclosure must be mounted in this vertical orientation.

COMPONENT RATINGS AND CERTIFICATIONS

COMPONENT RATINGS AND CERTIFICATIONS		
POWER SUPPLY		
Input Voltage	[VAC]	115/230
Input Voltage Frequency Range	[Hz]	47 - 63
Output Voltage	[VDC]	24
Voltage Adjustable Range	[VDC]	21.6 - 28.8V
Current Range	[A]	0 - 14.6
Rated Power	[W]	350.4
Safety Standard	[UL Certification]	UL60950-1
POWER SUPPLY CABLE (NOT SHOWN)		
Safety Standard	[ETL Certification]	#3170291
Voltage Rating	[V]	300
Temperature Rating	[°F]	-40 to 158
ENCLOSURE		
Safety Standard	[UL Certification]	UL508A
	[File Number]	E352997
Temperature Range	[°F]	-40 to 257
Impact Resistance	[in/lb]	500
Dielectric Strength	[volts/mil]	380
UV Rating	[UL Certification]	UL 746C
Flammability Rating	[UL Certification]	UL 94