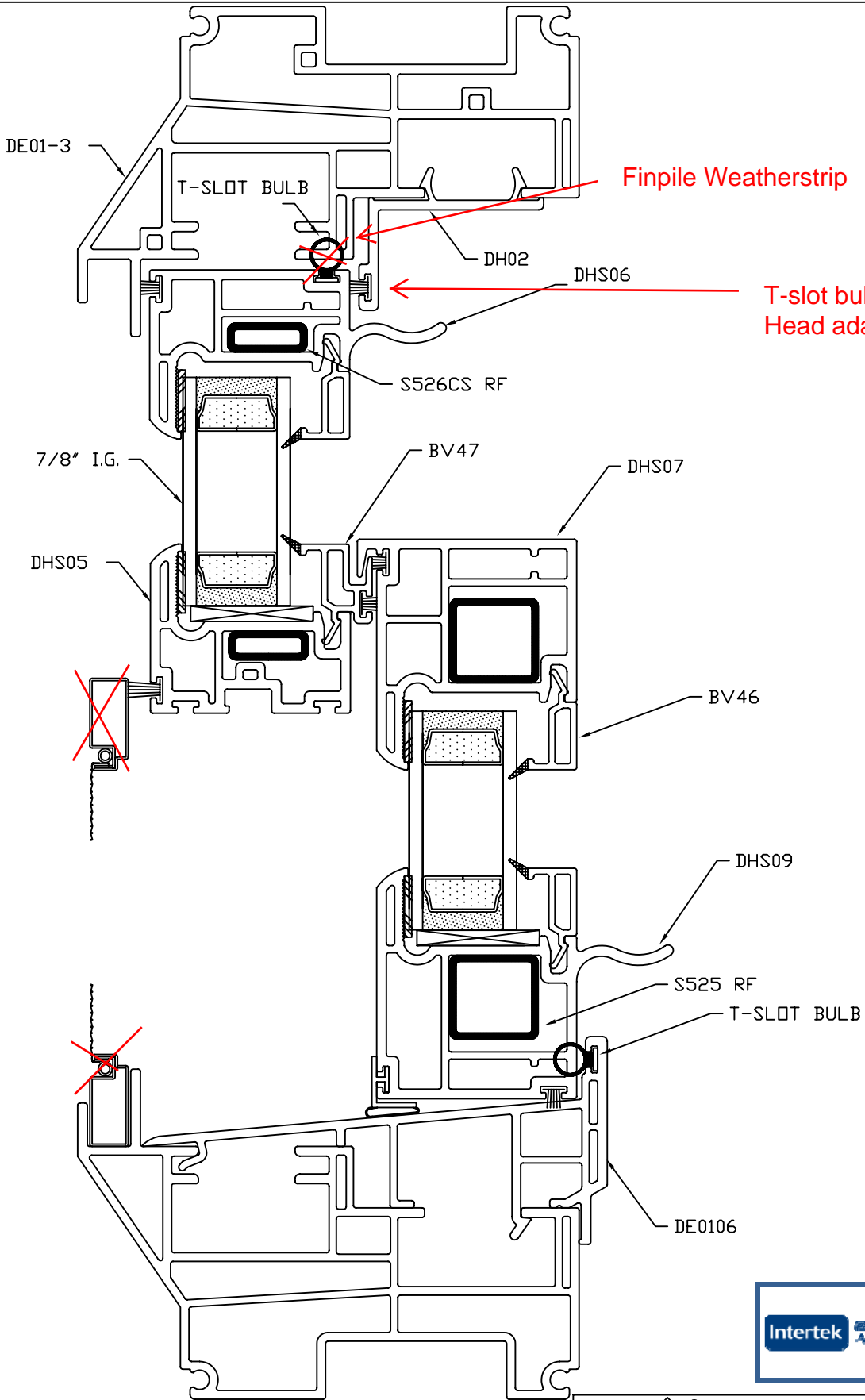


The information, design or data shown on this document or electronic media is the exclusive property of Veka Inc.. It is considered confidential and proprietary and is made available for limited use only. Its use or reproduction without the expressed written consent of Veka Inc. is prohibited.

**NOTE:**  
FOR OTHER PROFILE, GLAZING BEAD, & GLASS OPTIONS, PLEASE SEE THE LINEAL PROFILE CHARTS FOR THIS SYSTEM.

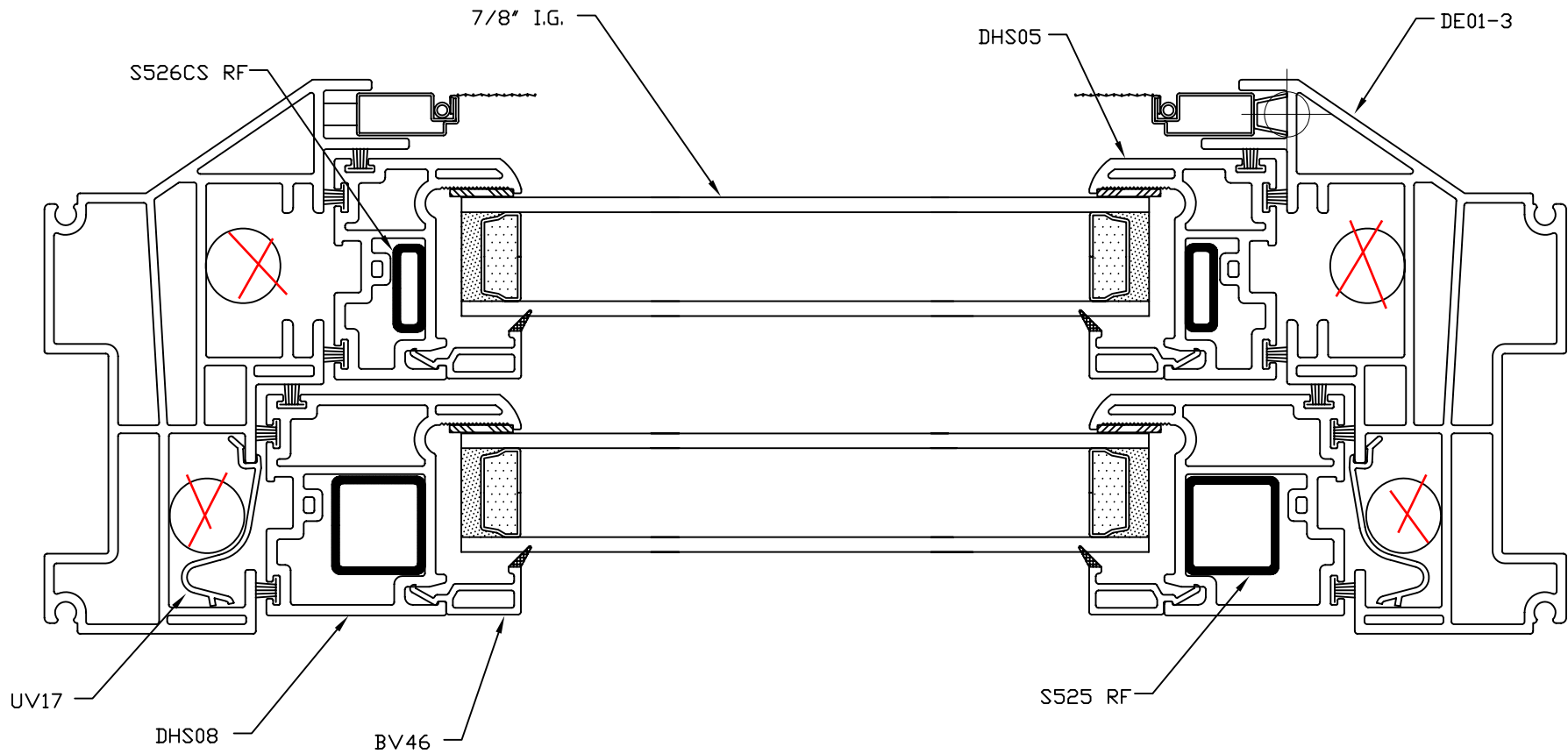


Report #: F7892-116-45  
 Date: 05/12/16  
 Verified by: *[Signature]*



VEKA INC.  
 100 VEKA DRIVE  
 FOMBELL, PA 16123

		DRAWN: SES	DATE: 8-17-98	SCALE: 3/4
		CHK'D:	DATE:	APPV'D:
		TITLE DOUBLE HUNG DE1WW, EQ. GLASS W/ DHS SASH VERTICAL ASSEMBLY		DWG. # DE1WWVBf
	REVISIONS	DATE		



**NOTE:**  
 FOR OTHER PROFILE, GLAZING BEAD,  
 & GLASS OPTIONS, PLEASE SEE THE  
 LINEAL PROFILE CHARTS FOR THIS  
 SYSTEM.

	Report #:	F7892-116-45
	Date:	05/12/16
	Verified by:	<i>[Signature]</i>



**VEKA INC.**  
 100 VEKA DRIVE  
 FOMBELL, PA 16123

The information, design or data shown on this document or electronic media is the exclusive property of Veka Inc.. It is considered confidential and proprietary and is made available for limited use only. Its use or reproduction without the expressed written consent of Veka Inc. is prohibited.

REVISIONS	DATE

DRAWN: SES	DATE: 22 JULY 97	SCALE: 3/4
CHK'D:	DATE:	APPV'D:
TITLE: DOUBLE HUNG DE1WW/DE3WW EQ. GLASS W/ DHS SASH HORIZ.ASSEMBLY		DWG. # DE1WWEHBa