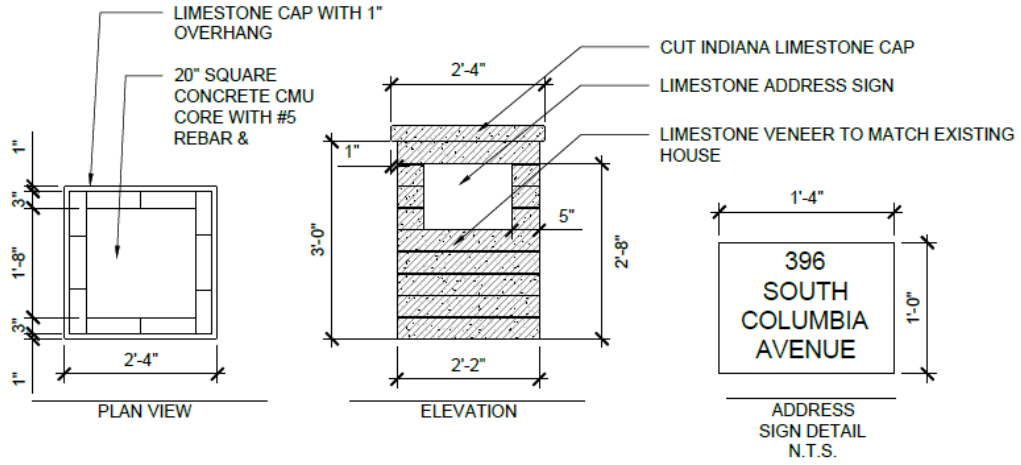


NOTE: MASON TO PROVIDE FOOTING  
 DESIGN- 20" CMU BLOCK CORE ON  
 3"X3"X12" CIC FOOTING AT 38" DEPTH



**C STONE ENTRY COLUMNS**  
 SCALE: 1/2" = 1'-0"