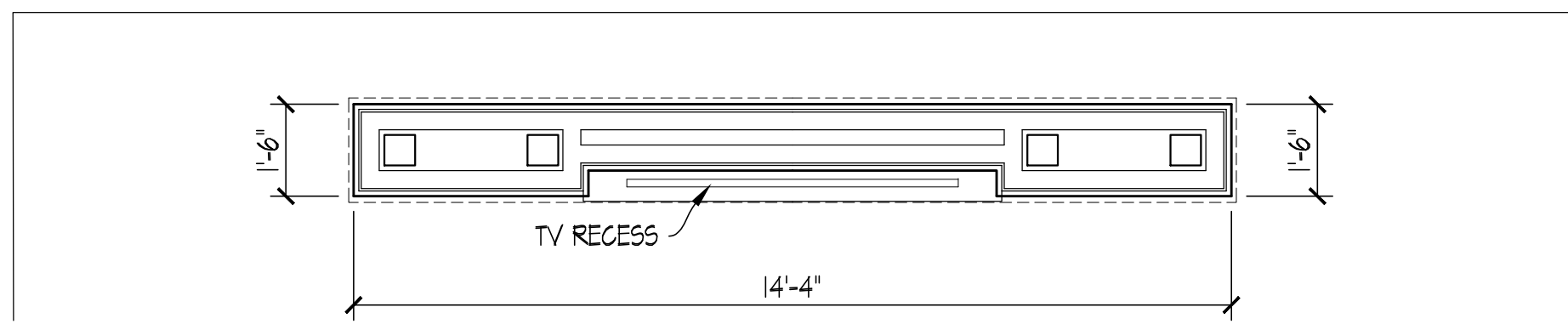
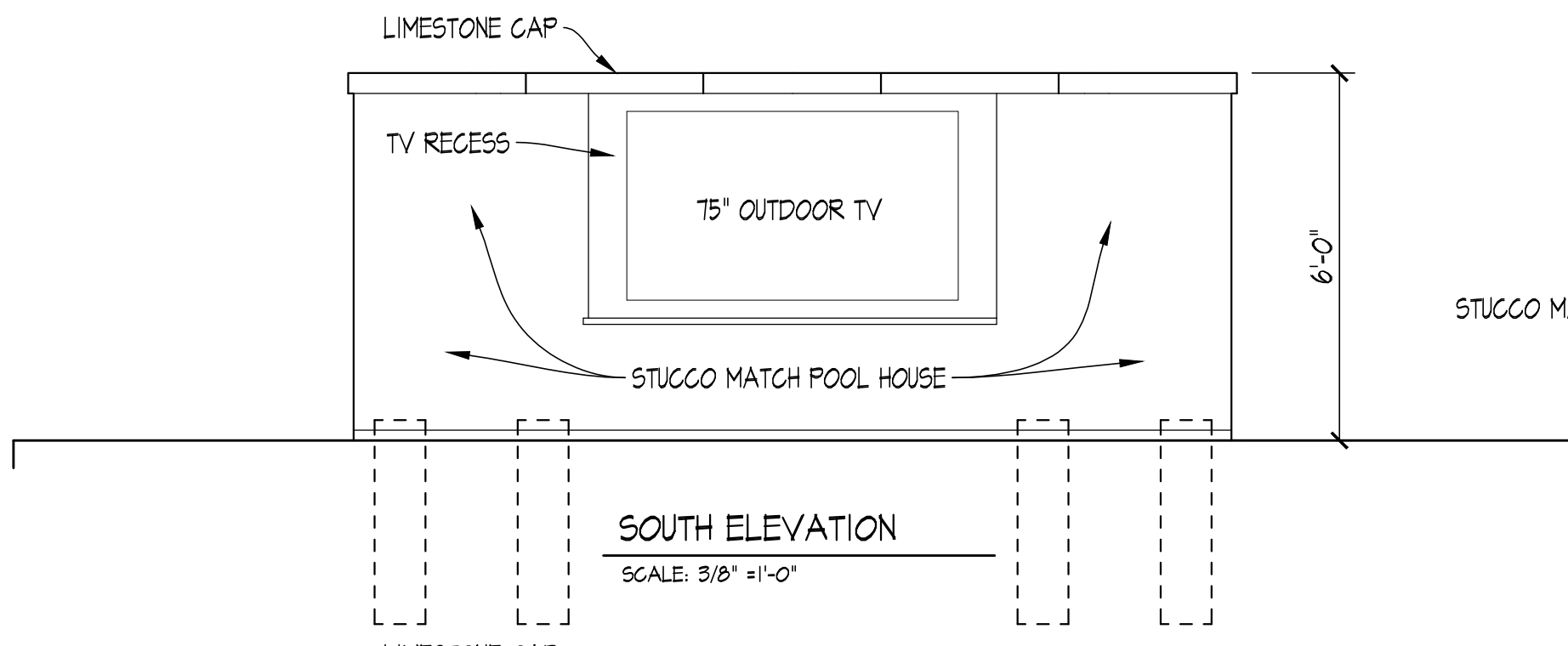


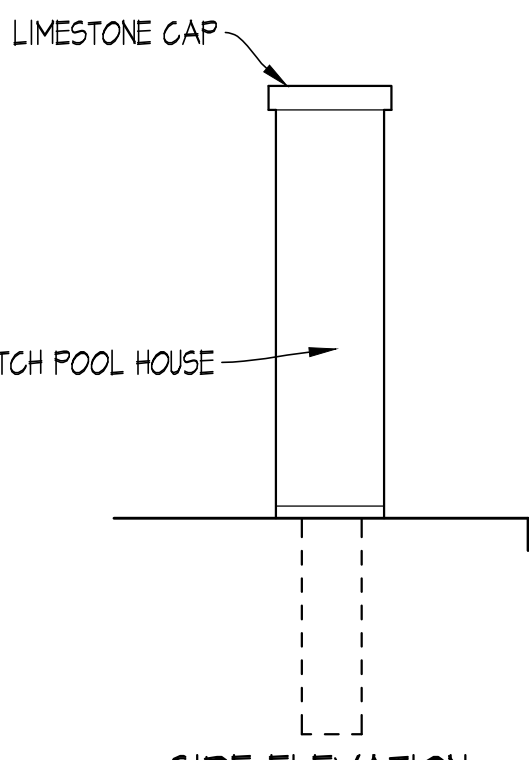
SITE PLAN
 SCALE: 1" = 20'



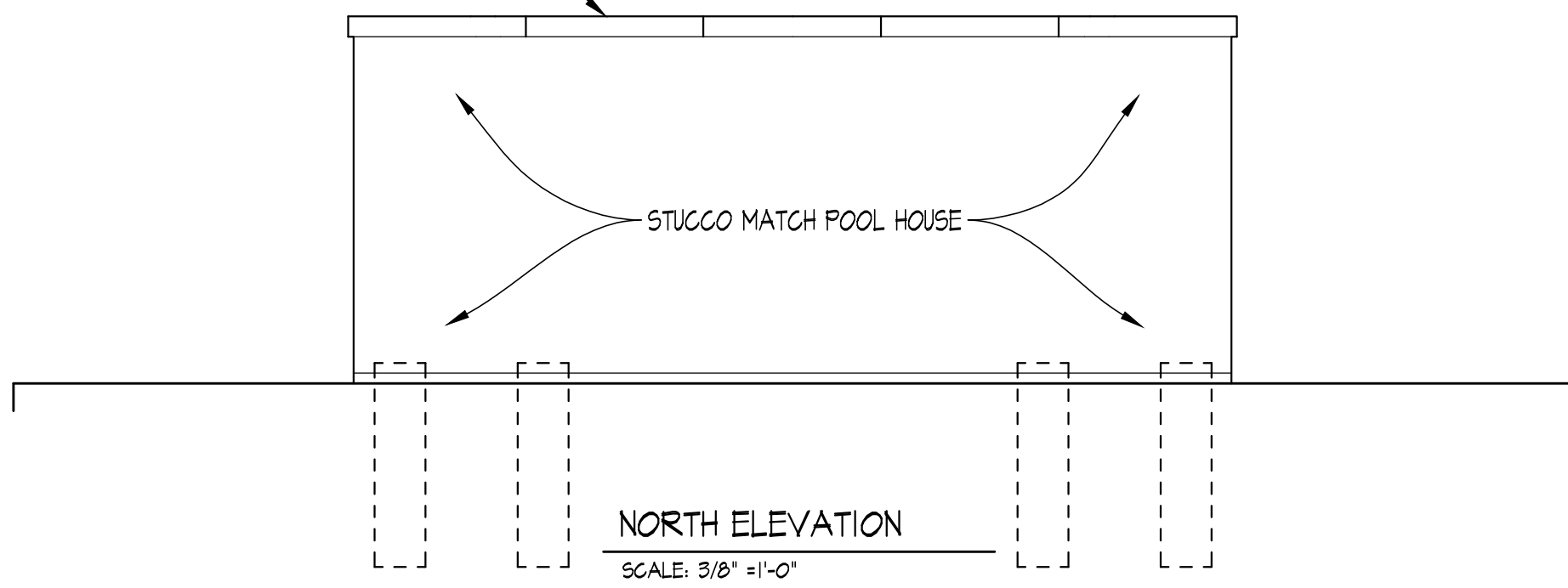
POOL WALL PLAN
 SCALE: 3/8" = 1'-0"



SOUTH ELEVATION
 SCALE: 3/8" = 1'-0"



SIDE ELEVATION
 SCALE: 3/8" = 1'-0"



NORTH ELEVATION
 SCALE: 3/8" = 1'-0"

POOL WALL

202 SOUTH COLUMBIA
 BEXLEY, OHIO

8.24.23