

# Ken & Ruth Rubin

228 S. Drexel Ave.



Front Elevation (West)

NUMBER	DATE	REVISED BY	DESCRIPTION

SHEET TITLE:  
**West Elevation - Current**

PROJECT DESCRIPTION:  
**Ken & Ruth Rubin  
228 S. Drexel Ave.  
Bexley, OH 43209**

DRAWINGS PROVIDED BY:  
**Todd Thompson  
Urban Artisans, LLC  
404-693-1526**

DATE:  
8/4/2020

SCALE:

SHEET:  
**A-1**



Rear Elevation (East)

REVISION TABLE

NUMBER	DATE	REVISOR	DESCRIPTION

SHEET TITLE:  
**East Elevation - Current**

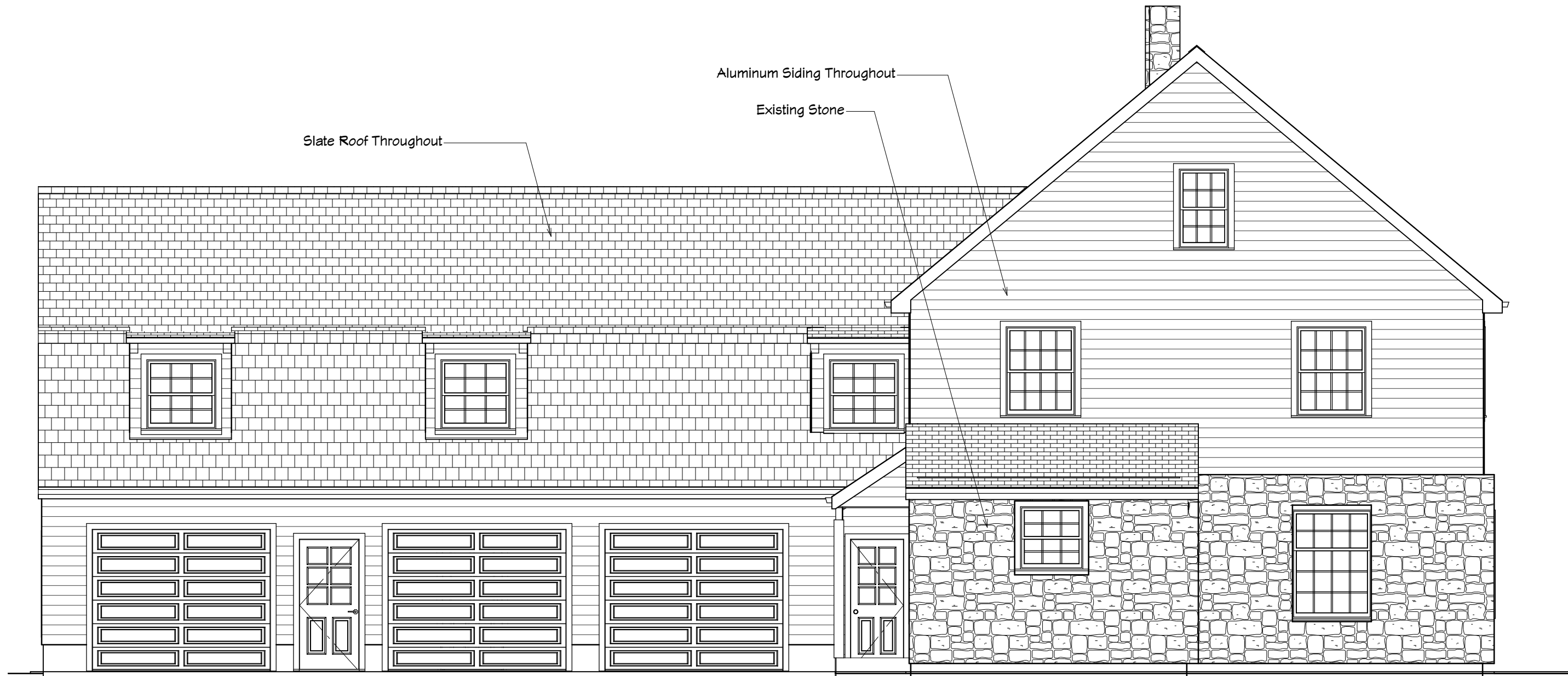
PROJECT DESCRIPTION:  
**Ken & Ruth Rubin  
 228 S. Drexel Ave.  
 Bexley, OH 43209**

DRAWINGS PROVIDED BY:  
**Todd Thompson  
 Urban Artisans, LLC  
 404-693-1526**

DATE:  
 8/4/2020

SCALE:

SHEET:  
**A-2**



Left Elevation (North)

REVISION TABLE	REVISION NUMBER	DATE	DESCRIPTION

SHEET TITLE:  
**North Elevation - Current**

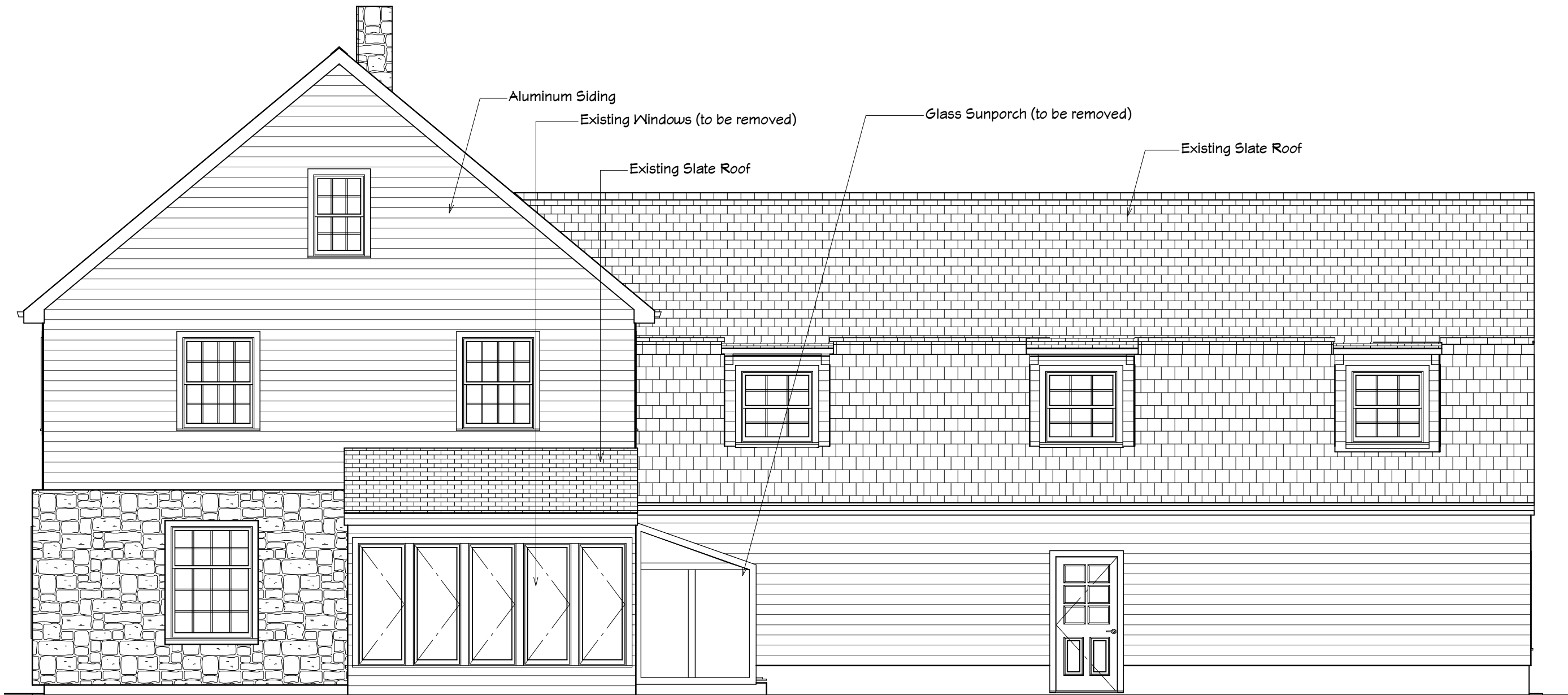
PROJECT DESCRIPTION:  
**Ken & Ruth Rubin  
 228 S. Drexel Ave.  
 Bexley, OH 43209**

DRAWINGS PROVIDED BY:  
**Todd Thompson  
 Urban Artisans, LLC  
 404-693-1526**

DATE:  
 8/4/2020

SCALE:

SHEET:  
**A-3**



Right Elevation (South)

NUMBER	DATE	REVISED BY	DESCRIPTION

SHEET TITLE:  
South Elevation - Current

PROJECT DESCRIPTION:  
Ken & Ruth Rubin  
228 S. Drexel Ave.  
Bexley, OH 43209

DRAWINGS PROVIDED BY:  
Todd Thompson  
Urban Artisans, LLC  
404-693-1526

DATE:  
8/4/2020

SCALE:

SHEET:  
**A-4**



Front Elevation (West)

NUMBER	DATE	REVISED BY	DESCRIPTION

SHEET TITLE:  
**West Elevation - Future**

PROJECT DESCRIPTION:  
**Ken & Ruth Rubin  
 228 S. Drexel Ave.  
 Bexley, OH 43209**

DRAWINGS PROVIDED BY:  
**Todd Thompson  
 Urban Artisans, LLC  
 404-693-1526**

DATE:  
 8/4/2020

SCALE:  
 3/16

SHEET:  
**A-5**



Rear Elevation (East)

Existing shed roof to be extended 4 feet and converted to hip roof.

REVISION TABLE	REVISION NUMBER	DESCRIPTION

SHEET TITLE:  
East Elevation - Future

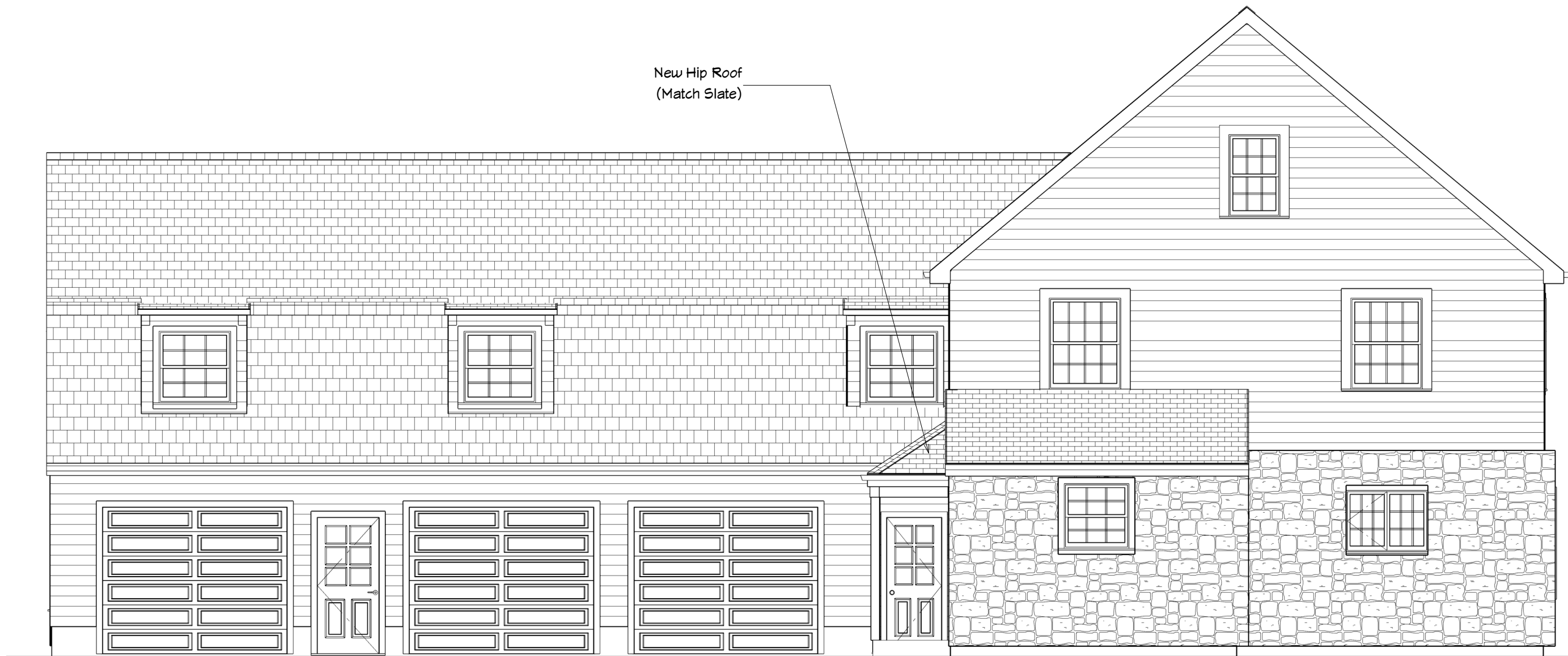
PROJECT DESCRIPTION:  
Ken & Ruth Rubin  
228 S. Drexel Ave.  
Bexley, OH 43209

DRAWINGS PROVIDED BY:  
Todd Thompson  
Urban Artisans, LLC  
404-693-1526

DATE:  
8/4/2020

SCALE:  
3/16

SHEET:  
A-6



New Hip Roof  
(Match Slate)

Left Elevation (North)

--

REVISION TABLE		
NUMBER	DATE	REVISION

SHEET TITLE:  
**North Elevation - Future**

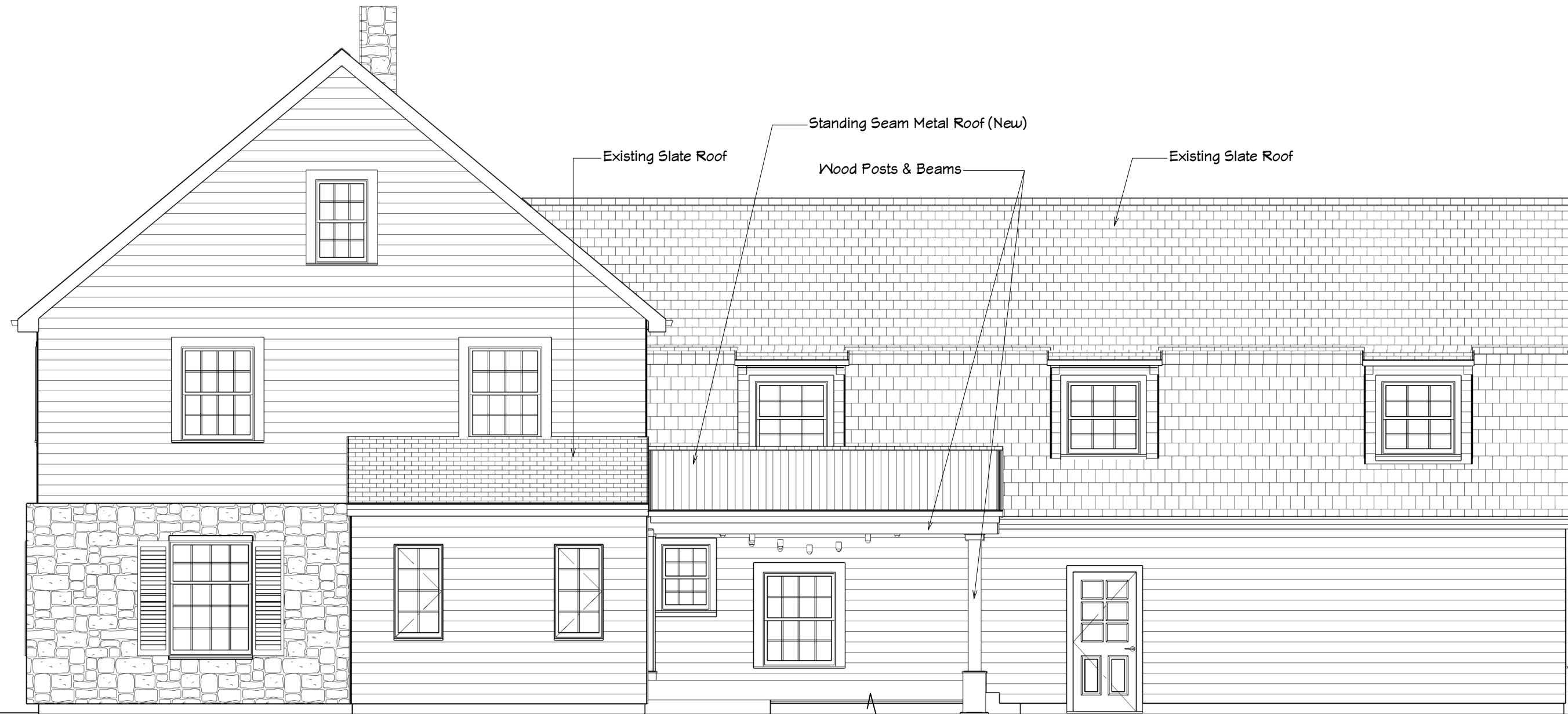
PROJECT DESCRIPTION:  
**Ken & Ruth Rubin  
228 S. Drexel Ave.  
Bexley, OH 43209**

DRAWINGS PROVIDED BY:  
**Todd Thompson  
Urban Artisans, LLC  
404-693-1526**

DATE:  
8/4/2020

SCALE:  
3/16

SHEET:  
**A-7**



Right Elevation (South)

REVISION TABLE	NUMBER	DATE	REVISOR	DESCRIPTION

SHEET TITLE:  
**South Elevation - Future**

PROJECT DESCRIPTION:  
**Ken & Ruth Rubin  
 228 S. Drexel Ave.  
 Bexley, OH 43209**

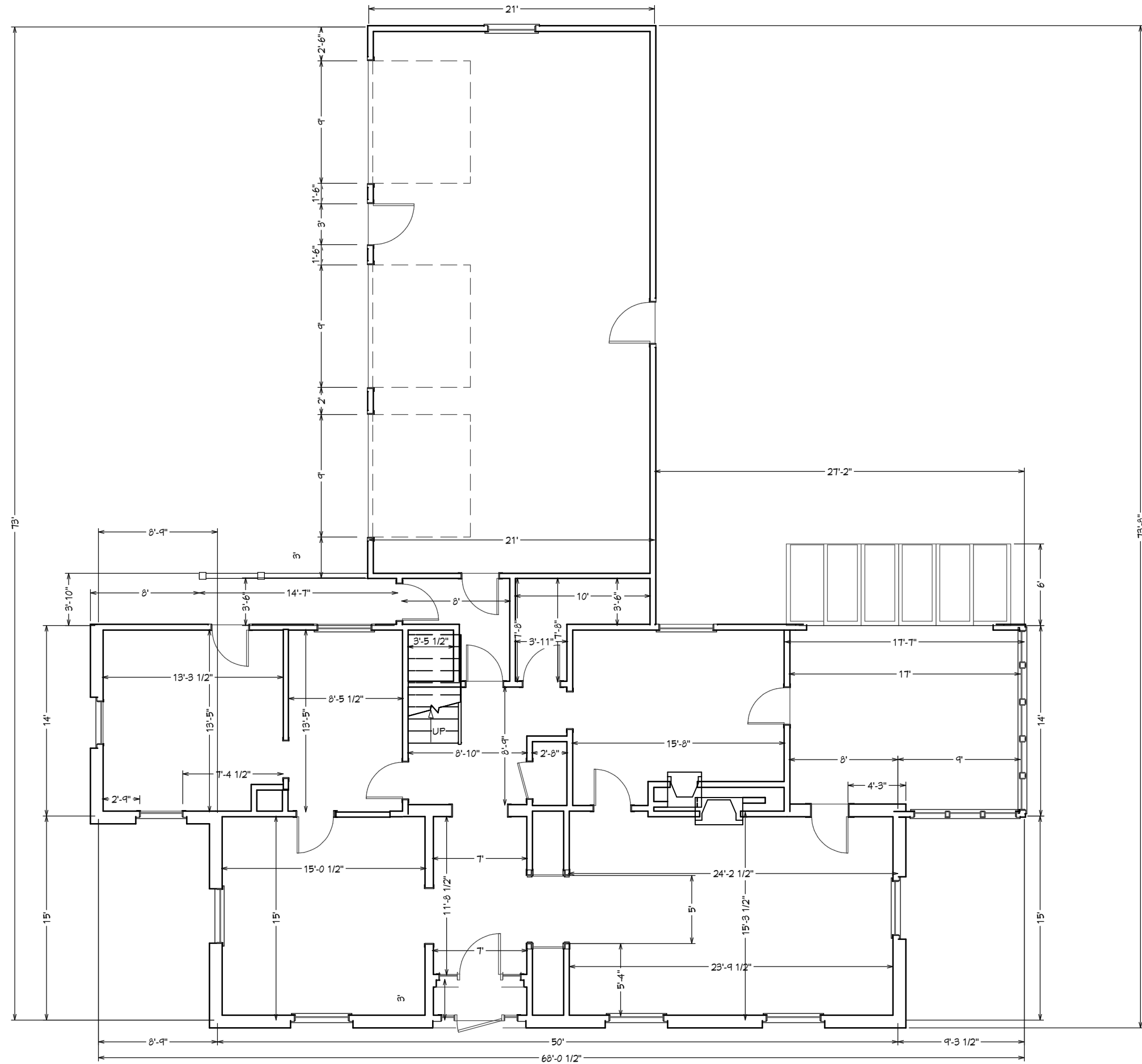
DRAWINGS PROVIDED BY:  
**Todd Thompson  
 Urban Artisans, LLC  
 404-693-1526**

DATE:  
 8/4/2020

SCALE:

SHEET:  
**A-8**





REVISION TABLE			
NUMBER	DATE	REVISOR	DESCRIPTION

REVISION TABLE			
NUMBER	DATE	REVISOR	DESCRIPTION

SHEET TITLE:  
**Floor Plan - Current**

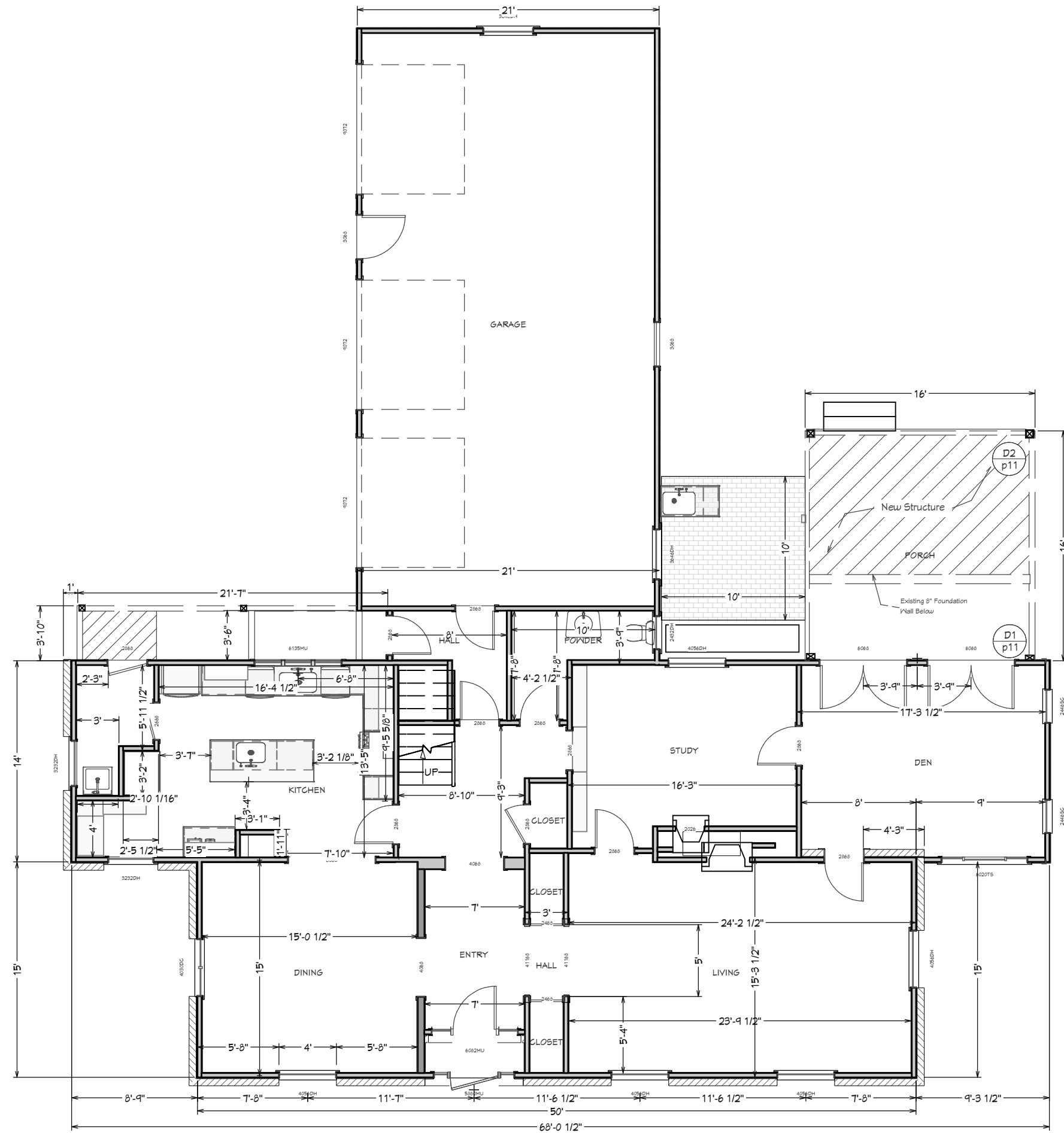
PROJECT DESCRIPTION:  
**Ken & Ruth Rubin**  
**228 S. Drexel Ave.**  
**Bexley, OH 43209**

DRAWINGS PROVIDED BY:  
**Todd Thompson**  
**Urban Artisans, LLC**  
**404-693-1526**

DATE:  
**8/4/2020**

SCALE:  
 1" = 1'-0"

SHEET:  
**A-9**



REVISION TABLE	REVISION TABLE
NUMBER	DATE
1	7/17/2018
2	7/17/2018
3	7/17/2018
4	7/17/2018
5	7/17/2018
6	7/17/2018
7	7/17/2018
8	7/17/2018
9	7/17/2018
10	7/17/2018

SHEET TITLE:  
**Floor Plan - Future**

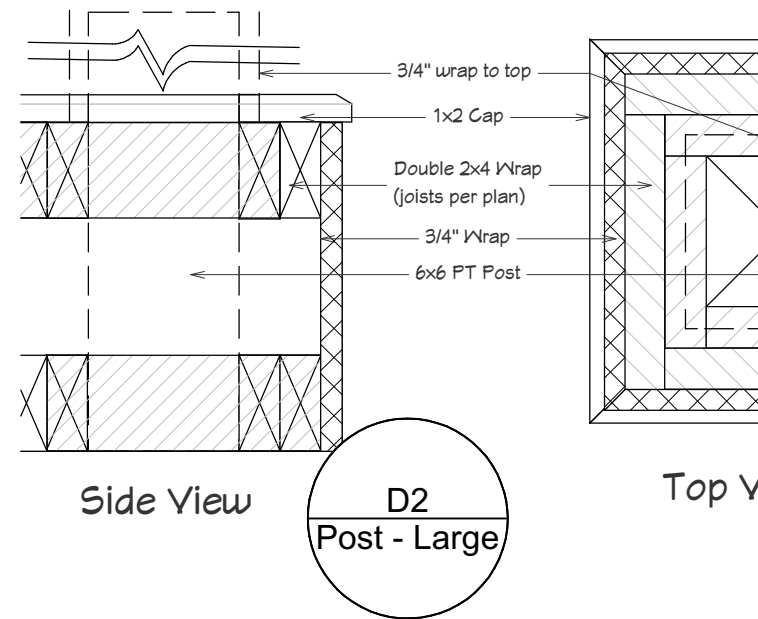
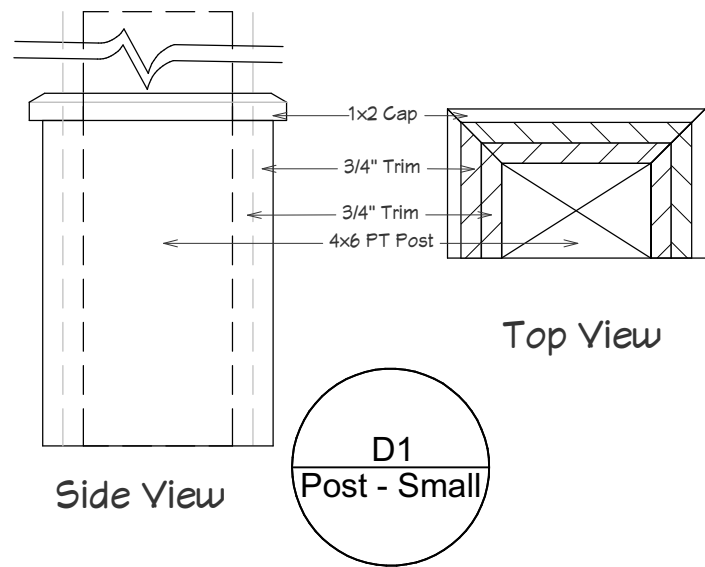
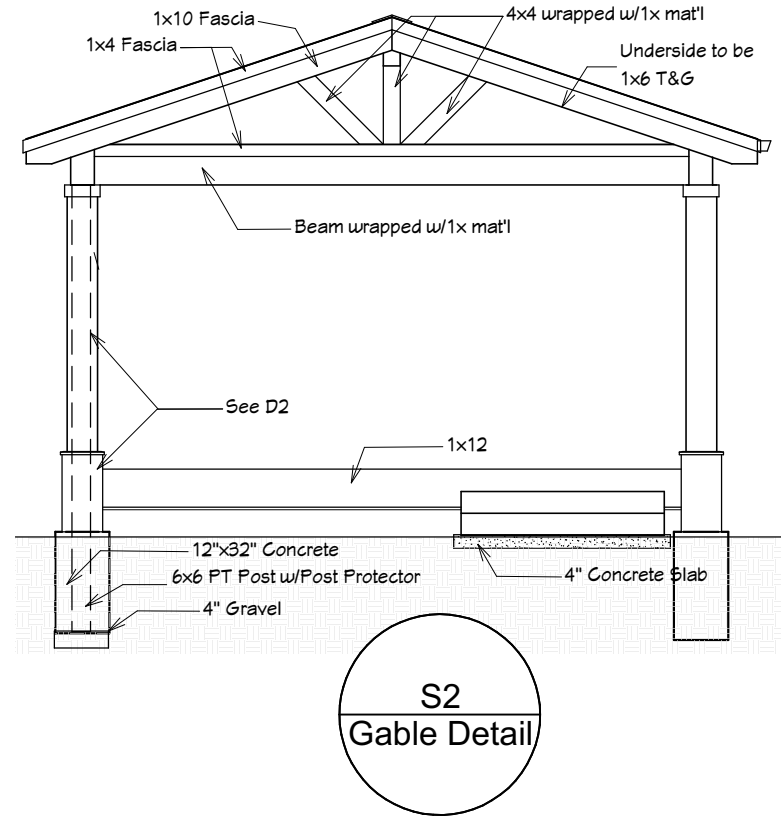
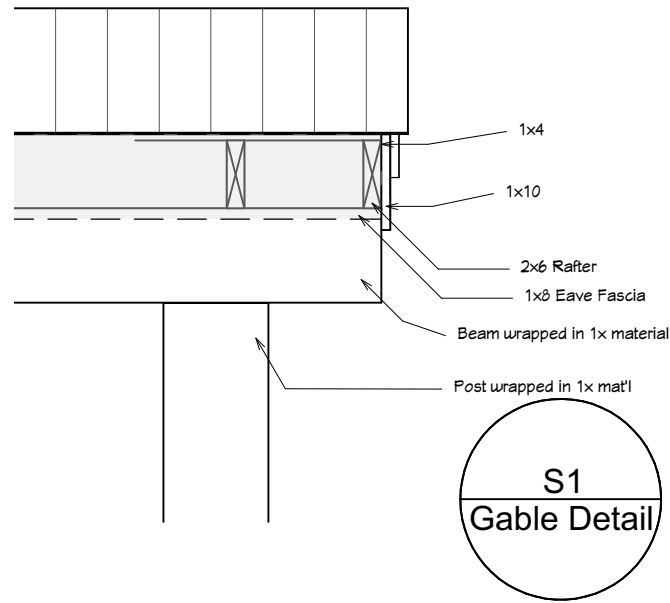
PROJECT DESCRIPTION:  
**Ken & Ruth Rubin  
 228 S. Drexel Ave.  
 Bexley, OH 43209**

DRAWINGS PROVIDED BY:  
**Todd Thompson  
 Urban Artisans, LLC  
 404-693-1526**

DATE:  
**8/4/2020**

SCALE:  
**1/8"**

SHEET:  
**A-10**



REVISION TABLE	DESCRIPTION
NUMBER	DATE

SHEET TITLE:  
**Details**

PROJECT DESCRIPTION:  
**Ken & Ruth Rubin  
228 S. Drexel Ave.  
Bexley, OH 43209**

DRAWINGS PROVIDED BY:  
**Todd Thompson  
Urban Artisans, LLC  
404-693-1526**

DATE:  
8/4/2020

SCALE:

SHEET:  
**A-11**