

SINGLE-FAMILY HOME REMODEL



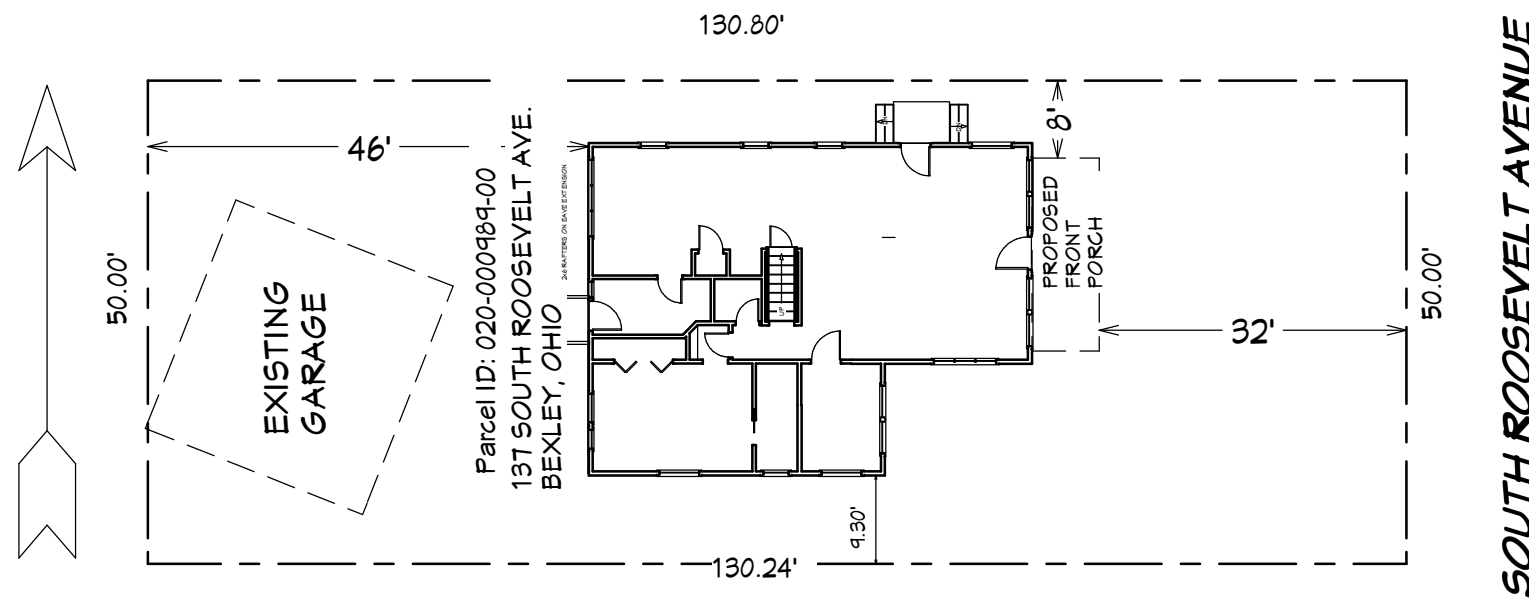
REAR PERSPECTIVE



EXISTING
CONDITIONS



FRONT PERSPECTIVE



SITE PLAN
SCALE: 1"=20'-0"

NO.	DESCRIPTION	BY	DATE

SHEET TITLE:
SITE PLAN

PROJECT DESCRIPTION:
**WHOLE HOUSE REMODEL
137 S. ROOSEVELT AVENUE
BEXLEY, OHIO**

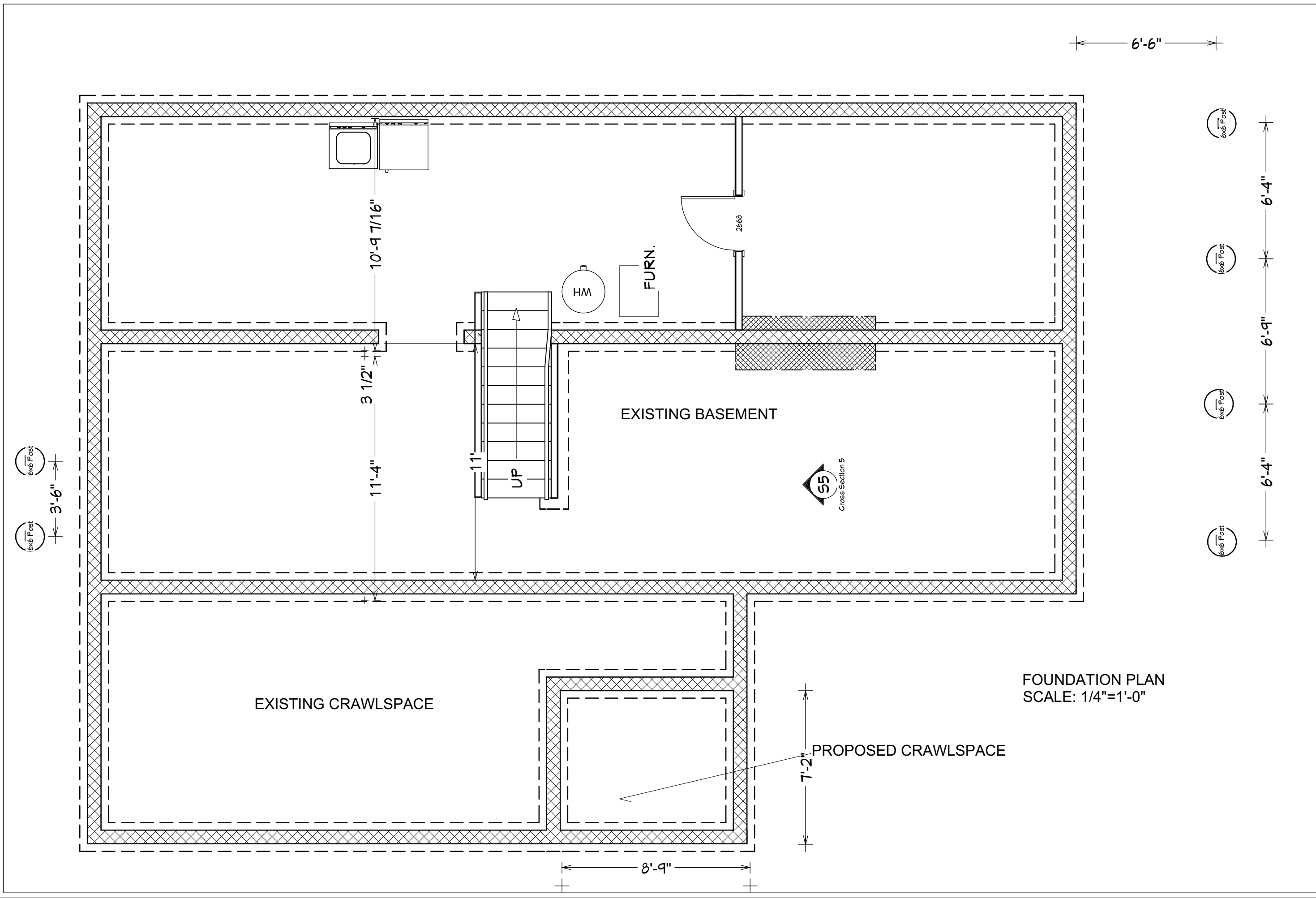
DRAWINGS PROVIDED BY:
**JIM GEORGE
937-718-0842
jgeorgedesigns@yahoo.com**

DATE:
6/24/2020

SCALE:

SHEET:

A-1



FOUNDATION PLAN
SCALE: 1/4"=1'-0"

--

NO.	DESCRIPTION	BY	DATE

SHEET TITLE:
**BASEMENT/
FOUNDATION**

PROJECT DESCRIPTION:
**WHOLE HOUSE REMODEL
137 S. ROOSEVELT AVENUE
BEXLEY, OHIO**

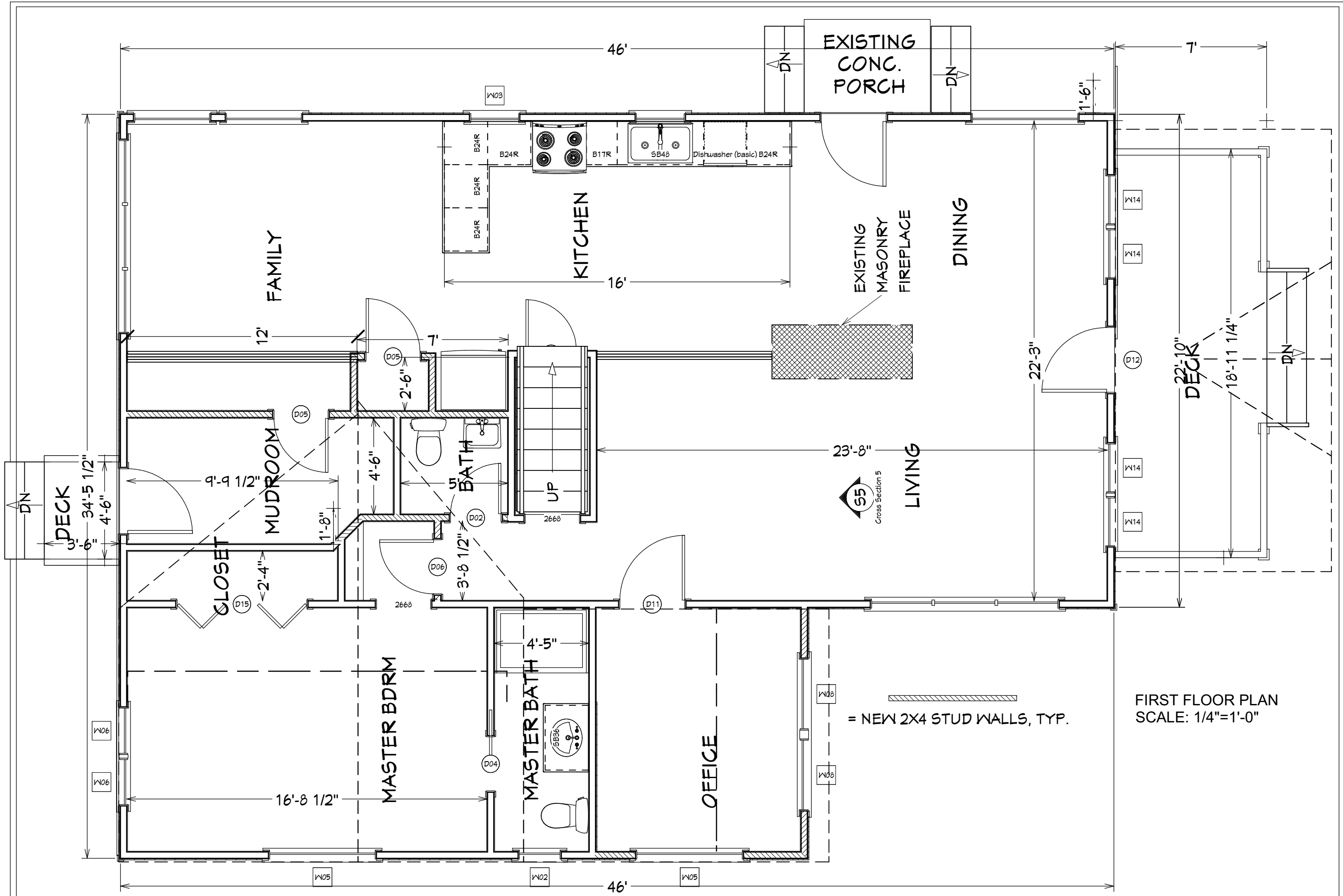
DRAWINGS PROVIDED BY:
**JIM GEORGE
937-718-0842
jgeorgedesigns@yahoo.com**

DATE:
6/24/2020

SCALE:

SHEET:

A-2



NO.	DESCRIPTION	BY	DATE

SHEET TITLE:
FIRST FLOOR

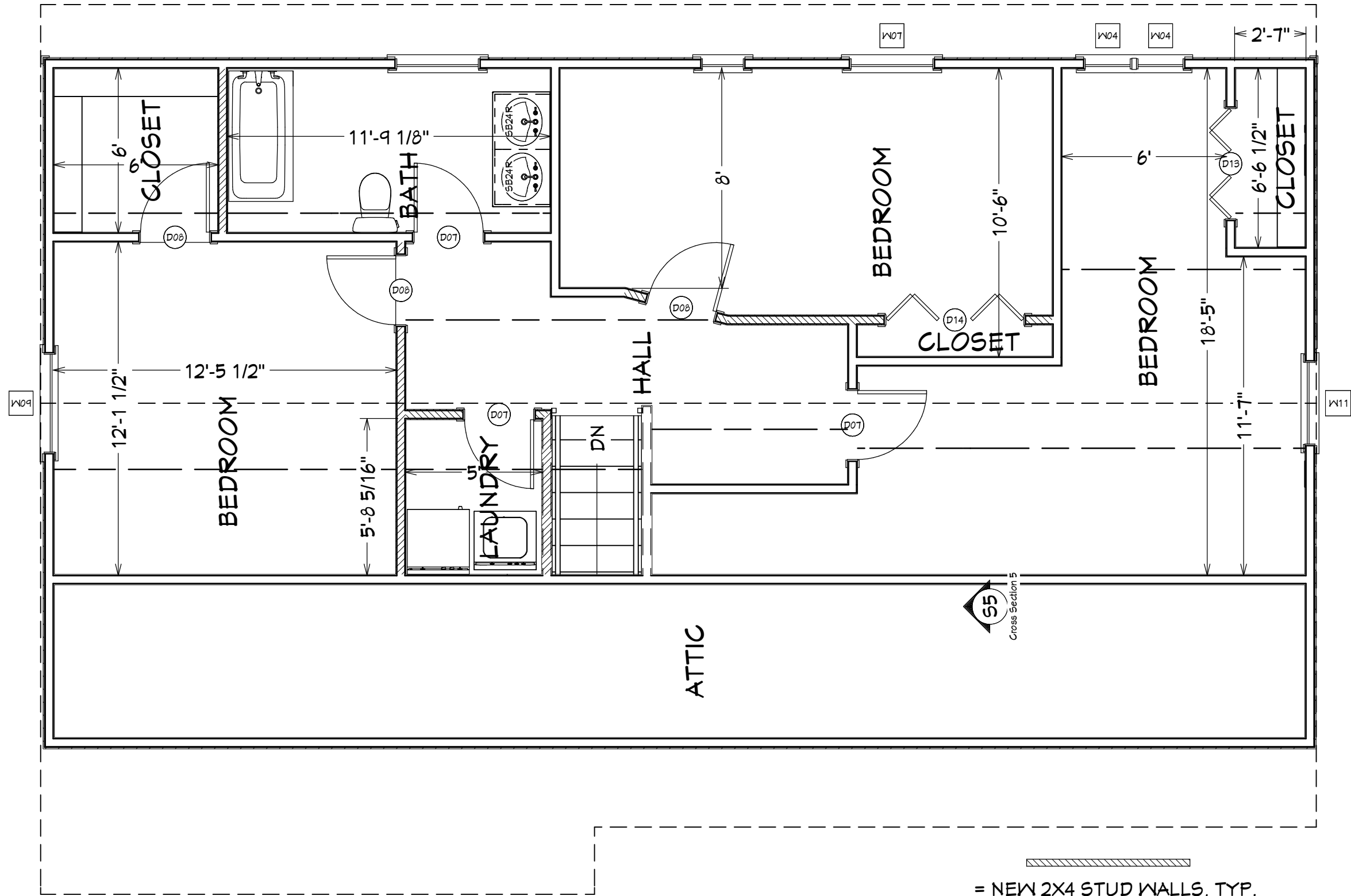
PROJECT DESCRIPTION:
WHOLE HOUSE REMODEL
 137 S. ROOSEVELT AVENUE
 BEXLEY, OHIO

DRAWINGS PROVIDED BY:
 JIM GEORGE
 937-718-0842
 jgeorgedesigns@yahoo.com

DATE:
 6/24/2020

SCALE:
 1/4"=1'-0"

SHEET:
A-3



= NEW 2X4 STUD WALLS, TYP.

SECOND FLOOR PLAN
SCALE: 1/4"=1'-0"

NO.	DESCRIPTION	BY	DATE

NO.	DESCRIPTION	BY	DATE

SHEET TITLE:
SECOND FLOOR

PROJECT DESCRIPTION:
WHOLE HOUSE REMODEL
137 S. ROOSEVELT AVENUE
BEXLEY, OHIO

DRAWINGS PROVIDED BY:
JIM GEORGE
937-718-0842
jgeorgedesigns@yahoo.com

DATE:
6/24/2020

SCALE:

SHEET:

A-4

NEW DOOR SCHEDULE										
NUMBER	LABEL	QTY	FLOOR	SIZE	WIDTH	HEIGHT	R/O	DESCRIPTION	HEADER	THICKNESS
D01	2468	1	1	2468 L IN	28 "	80 "	30"X82 1/2"	HINGED-DOOR P04	2X6X33" (2)	1 3/8"
D02	2468	1	1	2468 R IN	28 "	80 "	30"X82 1/2"	HINGED-DOOR P04	2X6X33" (2)	1 3/8"
D04	2668	1	1	2668 L	30 "	80 "	62"X82 1/2"	POCKET-DOOR P04	2X6X65" (2)	1 3/8"
D05	2668	2	1	2668 L IN	30 "	80 "	32"X82 1/2"	HINGED-DOOR P04	2X6X35" (2)	1 3/8"
D06	2668	1	1	2668 R IN	30 "	80 "	32"X82 1/2"	HINGED-DOOR P04	2X6X35" (2)	1 3/8"
D07	2668	3	2	2668 L IN	30 "	80 "	32"X82 1/2"	HINGED-DOOR P04	2X6X35" (2)	1 3/8"
D08	2668	3	2	2668 R IN	30 "	80 "	32"X82 1/2"	HINGED-DOOR P04	2X6X35" (2)	1 3/8"
D11	3068	1	1	3068 R IN	36 "	80 "	38"X82 1/2"	HINGED-DOOR P04	2X6X41" (2)	1 3/8"
D12	3068	1	1	3068 L EX	36 "	80 "	38"X83"	EXT. HINGED-DOOR E21	2X6X41" (2)	1 3/4"
D13	4068	1	2	4068 L/R	48 "	80 "	50"X82 1/2"	4 DR. BIFOLD-LOUVERED	2X8X53" (2)	1 3/8"
D14	5068	1	2	5068 L/R	60 "	80 "	62"X82 1/2"	4 DR. BIFOLD-LOUVERED	2X8X65" (2)	1 3/8"
D15	6068	1	1	6068 L/R	72 "	80 "	74"X82 1/2"	4 DR. BIFOLD-LOUVERED	2X10X77" (2)	1 3/8"

NEW WINDOW SCHEDULE										
NUMBER	LABEL	QTY	FLOOR	SIZE	WIDTH	HEIGHT	R/O	EGRESS	DESCRIPTION	HEADER
W02	2018DH	1	1	2018DH	24 "	20 "	25"X21"		DOUBLE HUNG	2X6X28" (2)
W03	2434DH	2	1	2434DH	28 "	40 "	29"X41"		DOUBLE HUNG	2X6X32" (2)
W04	1942DH	2	2	1942DH	21 "	50 "	22"X51"	YES	DOUBLE HUNG	2X6X25" (2)
W05	5018FX	3	1	5018FX	60 "	20 "	61"X21"		FIXED GLASS	2X8X64" (2)
W06	23210DH	2	1	23210DH	26 1/2 "	33 1/2 "	27 1/2"X34 1/2"		DOUBLE HUNG	2X6X30 1/2" (2)
W07	3133DH	1	2	3133DH	37 "	39 "	38"X40"	YES	DOUBLE HUNG	2X6X41" (2)
W08	3440DH	2	1	3440DH	40 "	48 "	41"X49"		DOUBLE HUNG	2X6X44" (2)
W09	3836DH	1	2	3836DH	44 "	42 "	45"X43"	YES	DOUBLE HUNG	2X6X48" (2)
W10	1733DH	1	2	1733DH	19 1/4 "	39 "	20 1/4"X40"		DOUBLE HUNG	2X6X23 1/4" (2)
W11	3133DH	2	2	3133DH	37 "	39 "	38"X40"		DOUBLE HUNG	2X6X41" (2)
W12	9034TC	1	1	9034TC	108 "	40 "	109"X41"		TRIPLE CASEMNT-LHL/RHR	2X12X112" (2)
W13	3734DH	2	1	3734DH	43 "	40 "	44"X41"		DOUBLE HUNG	2X6X47" (2)
W14	24311DH	4	1	24311DH	28 "	47 "	29"X48"		DOUBLE HUNG	2X6X32" (2)

NO.	DESCRIPTION	BY	DATE

SHEET TITLE:
DOOR AND WINDOW SCHEDULES

PROJECT DESCRIPTION:
**WHOLE HOUSE REMODEL
 137 S. ROOSEVELT AVENUE
 BEXLEY, OHIO**

DRAWINGS PROVIDED BY:
**JIM GEORGE
 937-718-0842
 jgeorgedesigns@yahoo.com**

DATE:
 6/24/2020

SCALE:

SHEET:

A-5



FRONT ELEVATION
SCALE: 1/8"=1'-0"



RIGHT ELEVATION
SCALE: 1/8"=1'-0"



LEFT ELEVATION
SCALE: 1/8"=1'-0"



REAR ELEVATION
SCALE: 1/8"=1'-0"

NO.	DESCRIPTION	BY	DATE

SHEET TITLE:

ELEVATIONS

PROJECT DESCRIPTION:
WHOLE HOUSE REMODEL
 137 S. ROOSEVELT AVENUE
 BEXLEY, OHIO

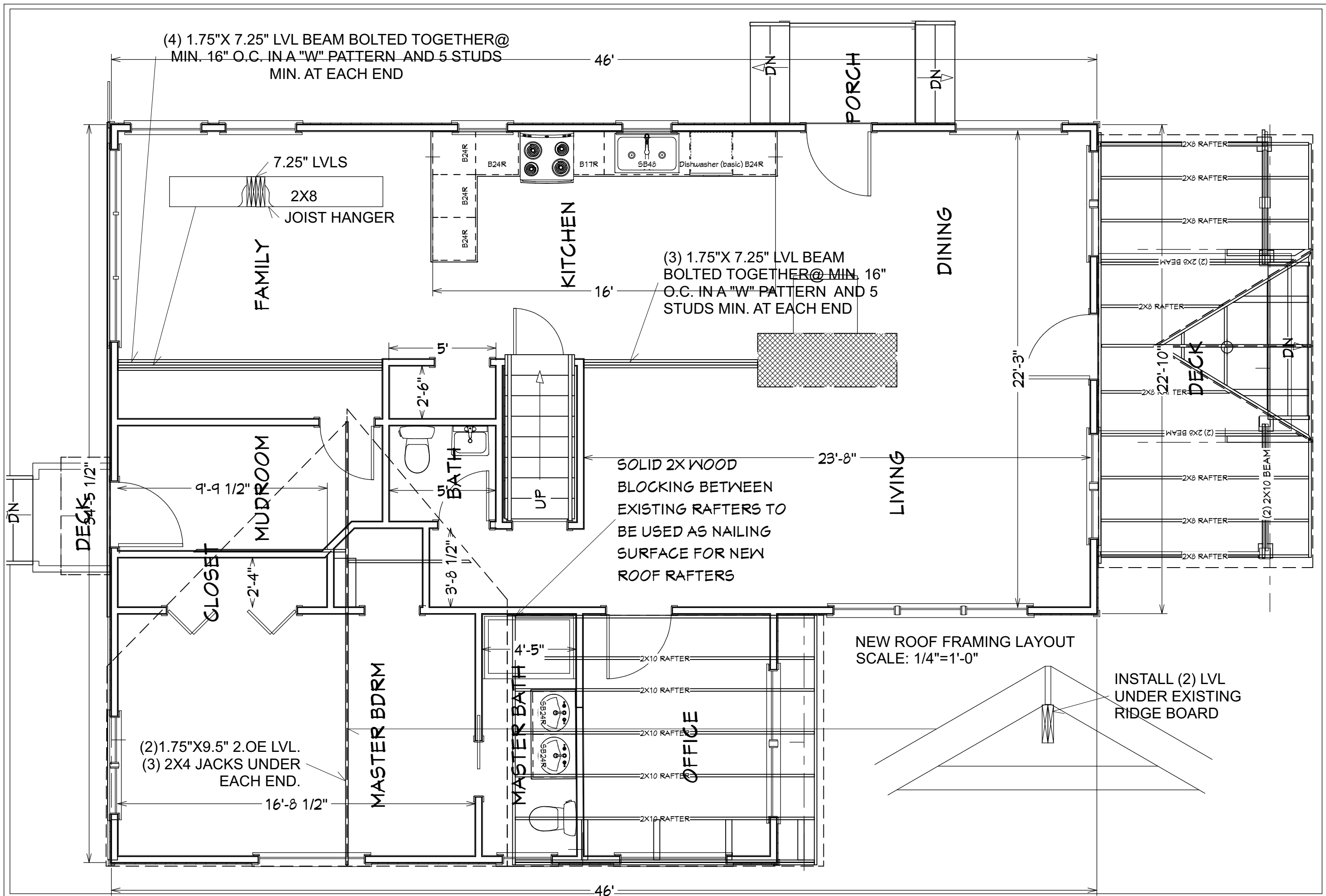
DRAWINGS PROVIDED BY:
JIM GEORGE
 937-718-0842
 jgeorgesdesigns@yahoo.com

DATE:
 6/24/2020

SCALE:

SHEET:

A-6



NO.	DESCRIPTION	BY	DATE

NO.	DESCRIPTION	BY	DATE

SHEET TITLE:
NEW ROOF FRAMING

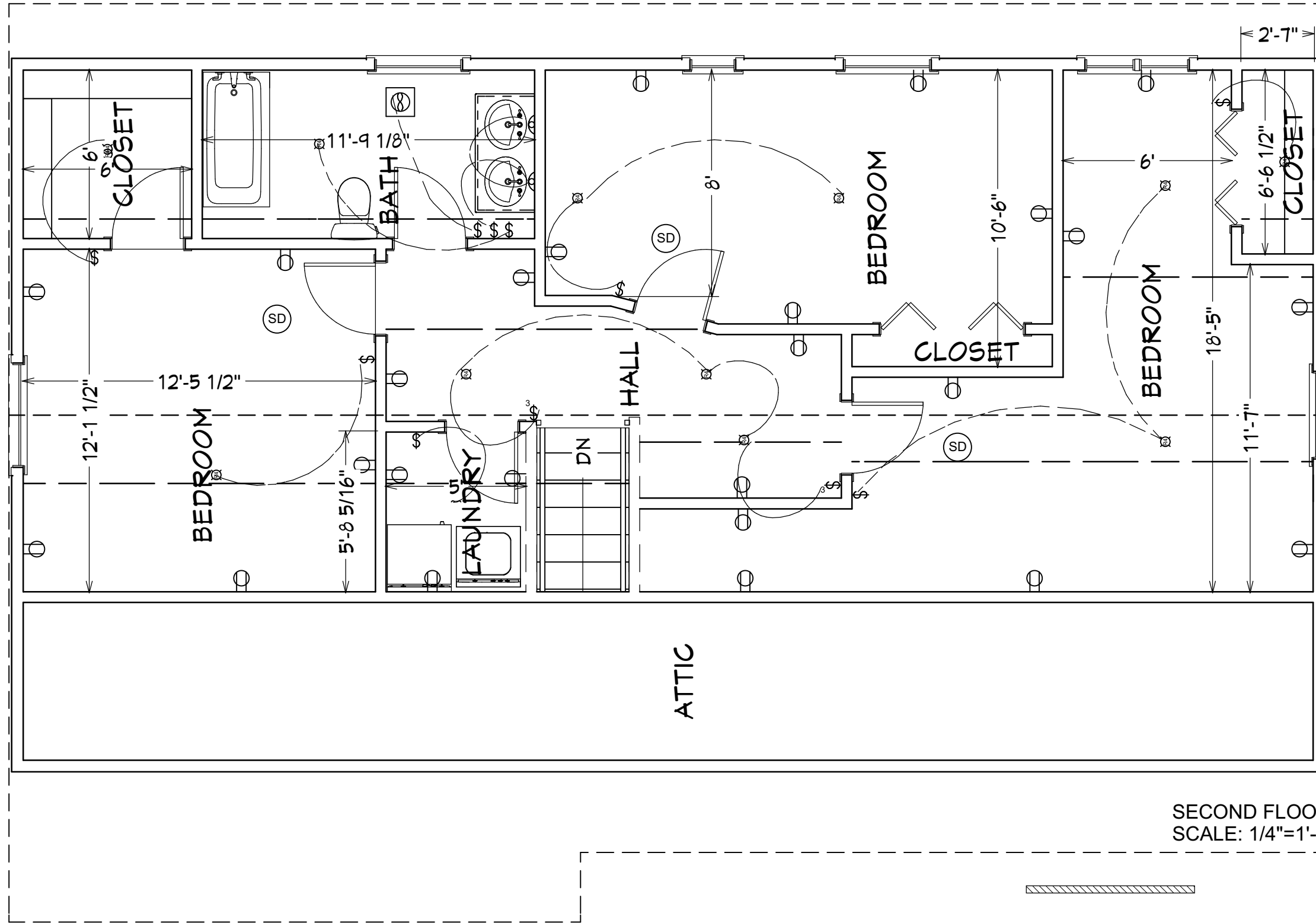
PROJECT DESCRIPTION:
WHOLE HOUSE REMODEL
 137 S. ROOSEVELT AVENUE
 BEXLEY, OHIO

DRAWINGS PROVIDED BY:
JIM GEORGE
 937-718-0842
 jgeorgedesigns@yahoo.com

DATE:
 6/24/2020

SCALE:

SHEET:
A-7



SECOND FLOOR ELECTRICAL PLAN
SCALE: 1/4"=1'-0"

ELECTRICAL - DATA - AUDIO LEGEND	
SYMBOL	DESCRIPTION
	Ceiling Fan
	Ventilation Fans: Ceiling Mounted, Wall Mounted
	Ceiling Mounted Light Fixtures: Surface/Pendant, Recessed, Heat Lamp, Low Voltage
	Wall Mounted Light Fixtures: Flush Mounted, Wall Sconce
	Chandelier Light Fixture
	Fluorescent Light Fixture
	240V Receptacle
	110V Receptacles: Duplex, Weather Proof, GFCI
	Switches: Single Pole, Weather Proof, 3-Way, 4-Way
	Switches: Dimmer, Timer
	Audio Video: Control Panel, Switch
	Speakers: Ceiling Mounted, Wall Mounted
	Wall Jacks: CAT5, CAT5 + TV, TV/Cable
	Telephone Jack
	Intercom
	Thermostat
	Door Chime, Door Bell Button
	Smoke Detectors: Ceiling Mounted, Wall Mounted
	Electrical Breaker Panel

NO.	DESCRIPTION	BY	DATE

NO.	DESCRIPTION	BY	DATE

SHEET TITLE:
SECOND FLOOR ELECTRICAL

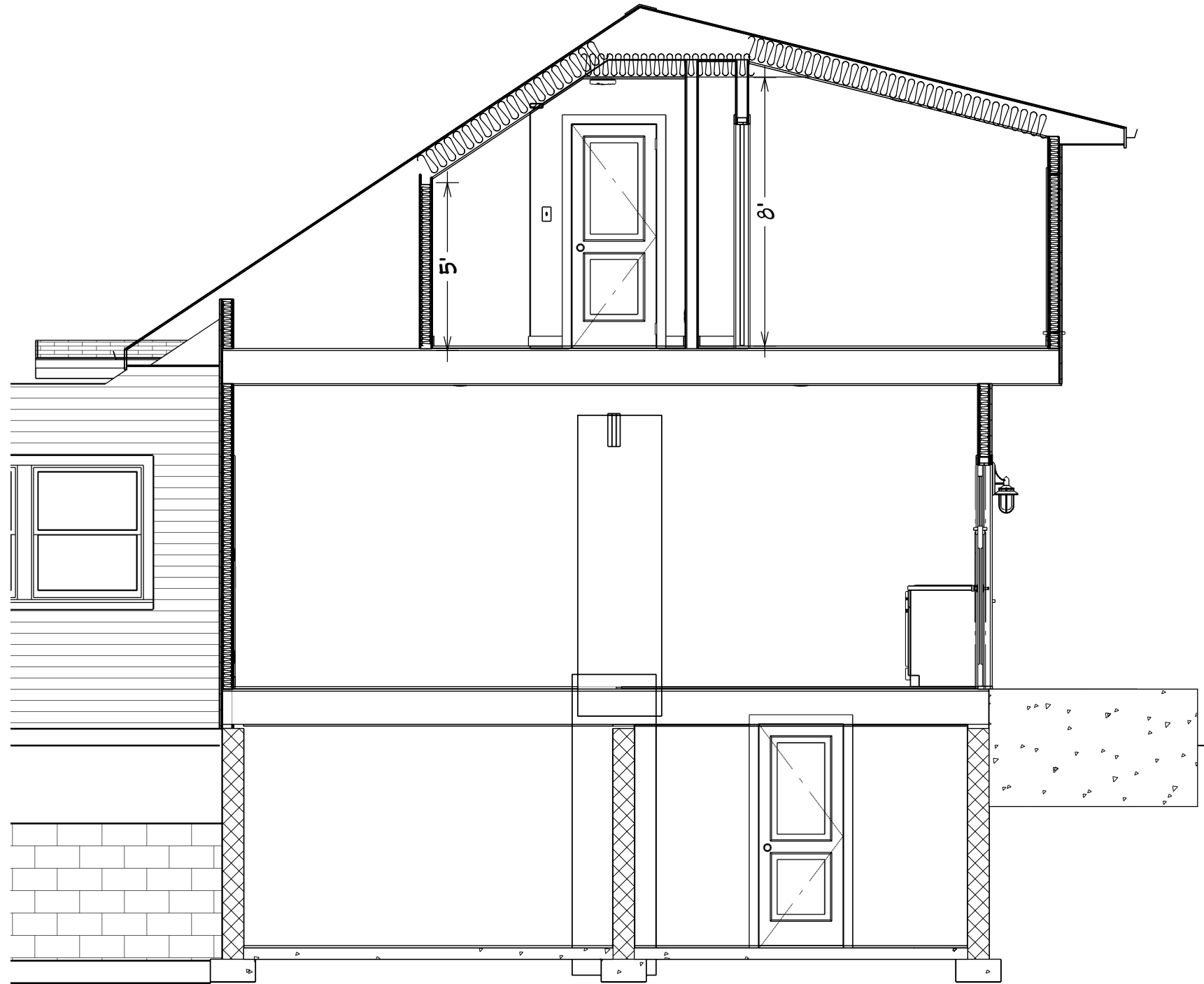
PROJECT DESCRIPTION:
**WHOLE HOUSE REMODEL
137 S. ROOSEVELT AVENUE
BEXLEY, OHIO**

DRAWINGS PROVIDED BY:
**JIM GEORGE
937-718-0842
jgeorgedesigns@yahoo.com**

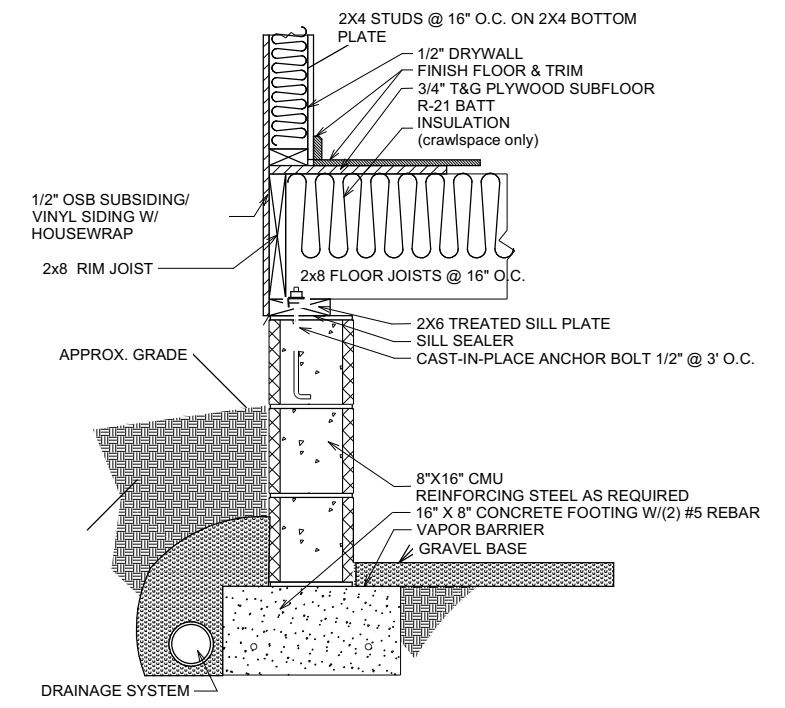
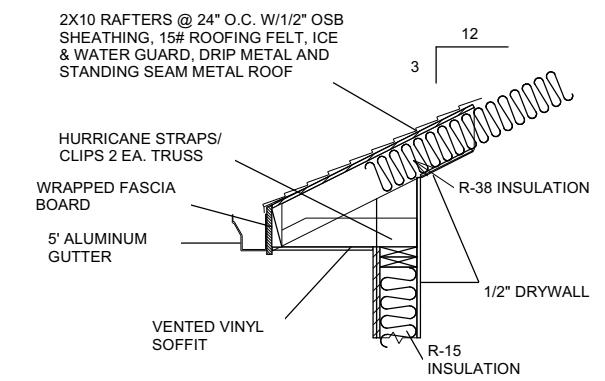
DATE:
6/24/2020

SCALE:

SHEET:
A-9



BUILDING SECTION, TYP.
SCALE: 1/4"=1'-0"



Typical CMU Crawl Space

NO.	DESCRIPTION	BY	DATE

SHEET TITLE:
SECTIONS

PROJECT DESCRIPTION:
**WHOLE HOUSE REMODEL
137 S. ROOSEVELT AVENUE
BEXLEY, OHIO**

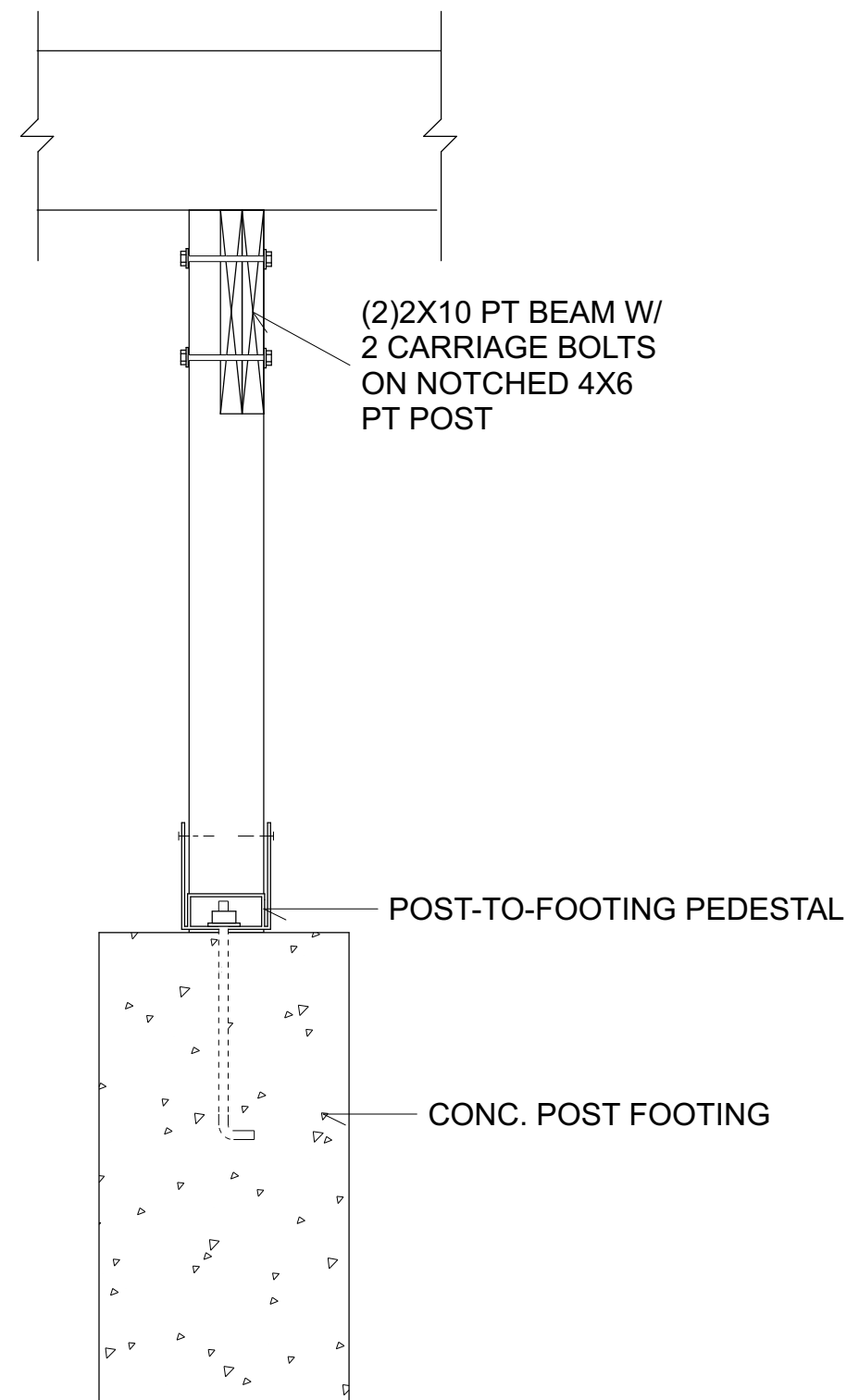
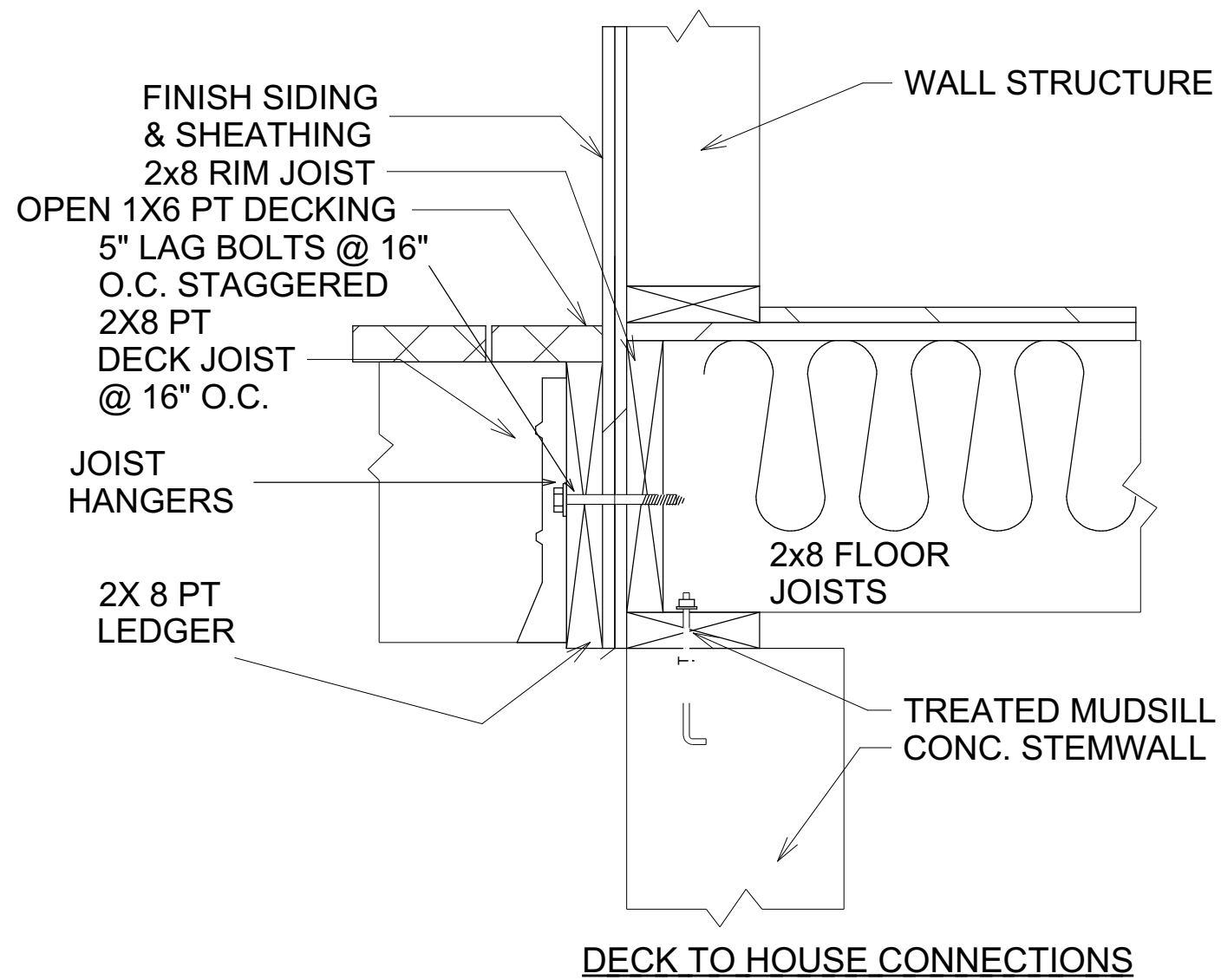
DRAWINGS PROVIDED BY:
**JIM GEORGE
937-718-0842
jgeorgedesigns@yahoo.com**

DATE:
6/24/2020

SCALE:

SHEET:

A-10



NO.	DESCRIPTION	BY	DATE

SHEET TITLE:
DETAILS

PROJECT DESCRIPTION:
**WHOLE HOUSE REMODEL
137 S. ROOSEVELT AVENUE
BEXLEY, OHIO**

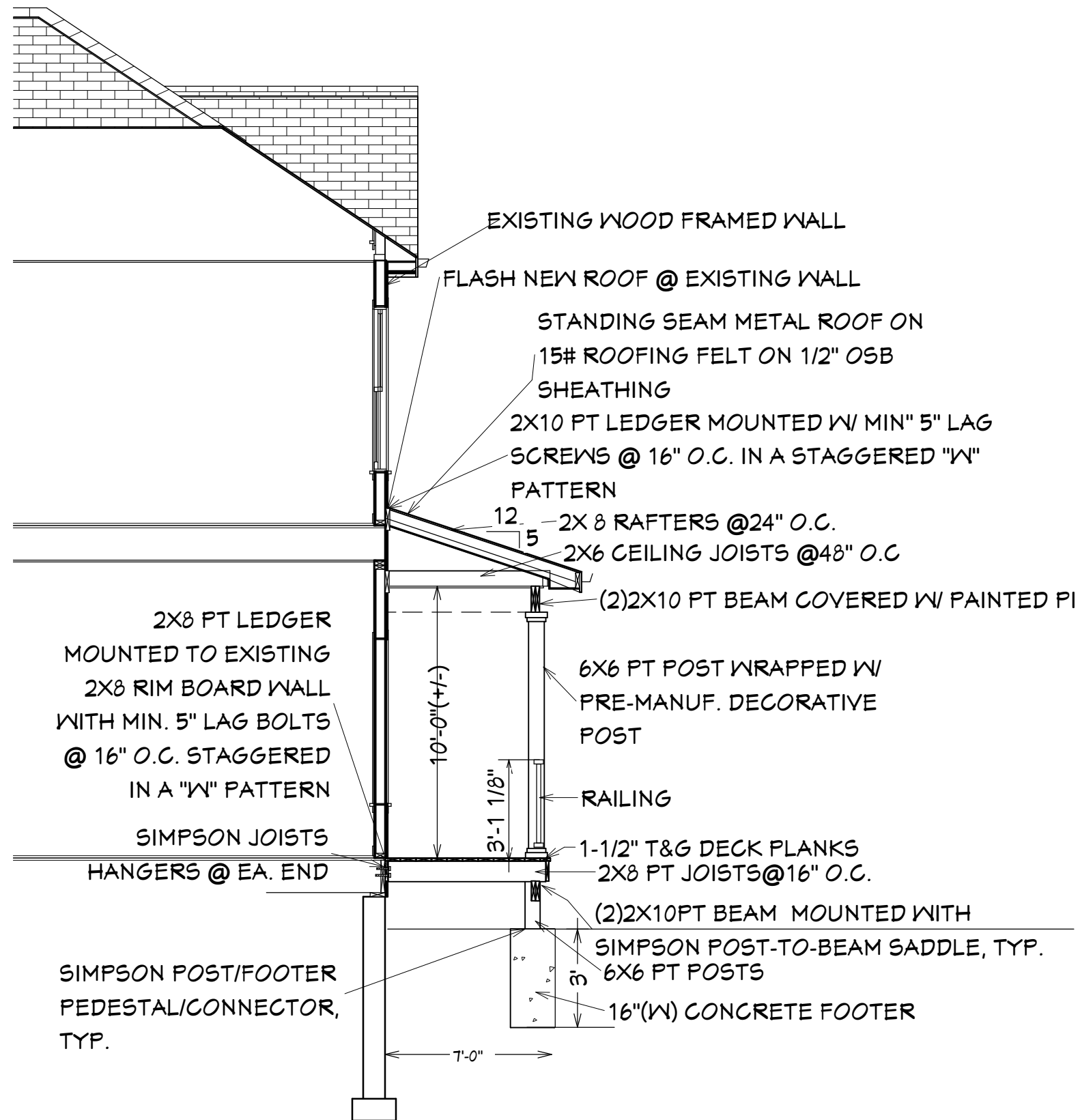
DRAWINGS PROVIDED BY:
**JIM GEORGE
937-718-0842
jgeorgedesigns@yahoo.com**

DATE:
6/24/2020

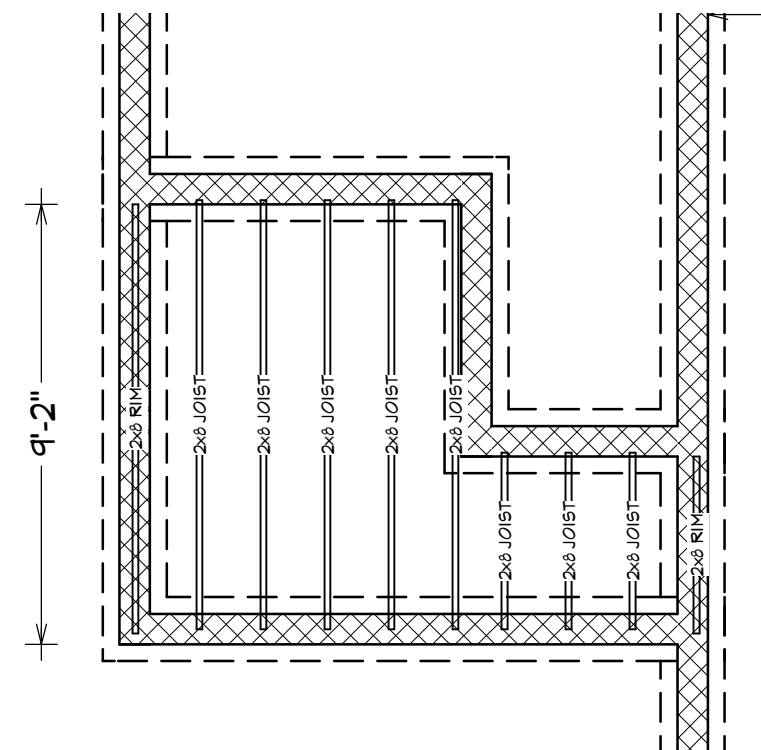
SCALE:

SHEET:

A-11



Cross Section 8



OFFICE ADDITION FLOOR FRAMING PLAN
SCALE: 1/4"=1'-0"

NO.	DESCRIPTION	BY	DATE

SHEET TITLE:
FRONT PORCH SECTION

PROJECT DESCRIPTION:
**WHOLE HOUSE REMODEL
137 S. ROOSEVELT AVENUE
BEXLEY, OHIO**

DRAWINGS PROVIDED BY:
**JIM GEORGE
937-718-0842
jgeorgedesigns@yahoo.com**

DATE:
6/24/2020

SCALE:

SHEET:

A-12