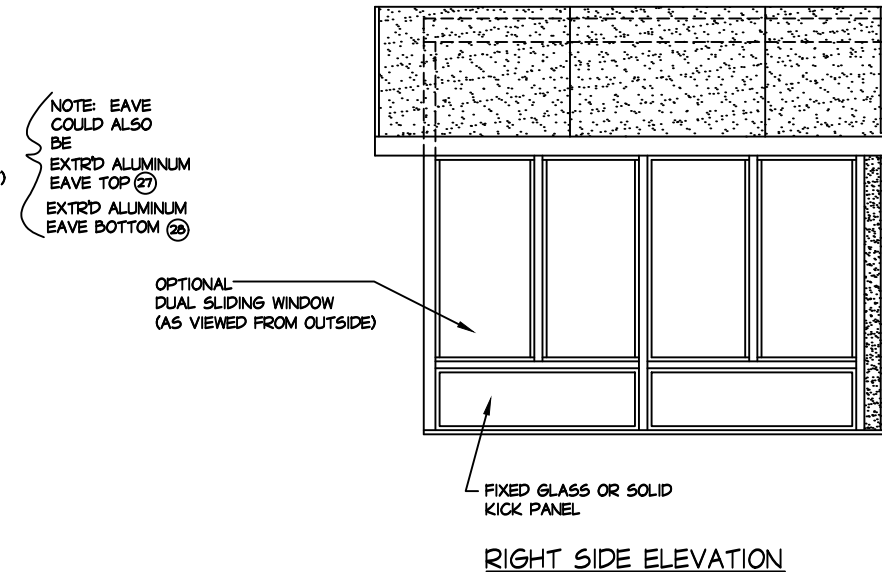
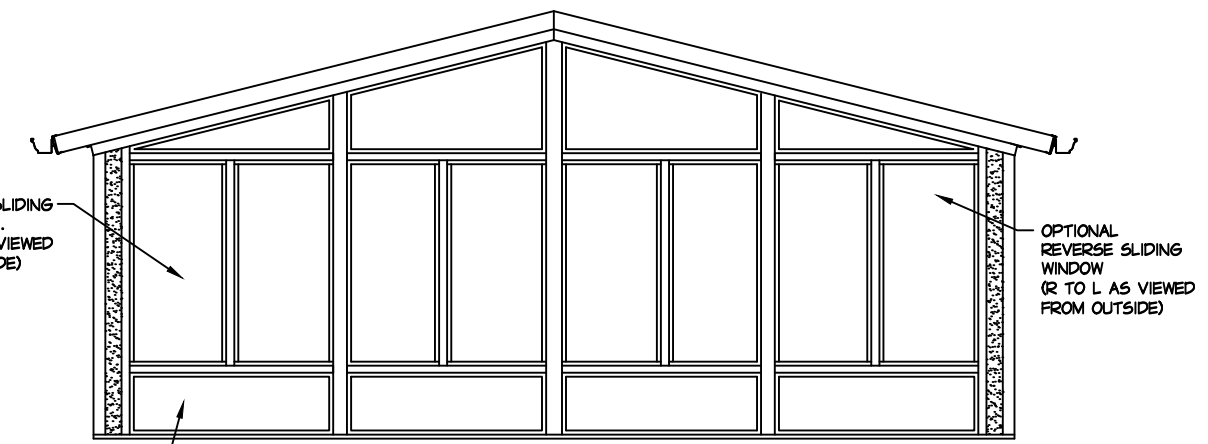
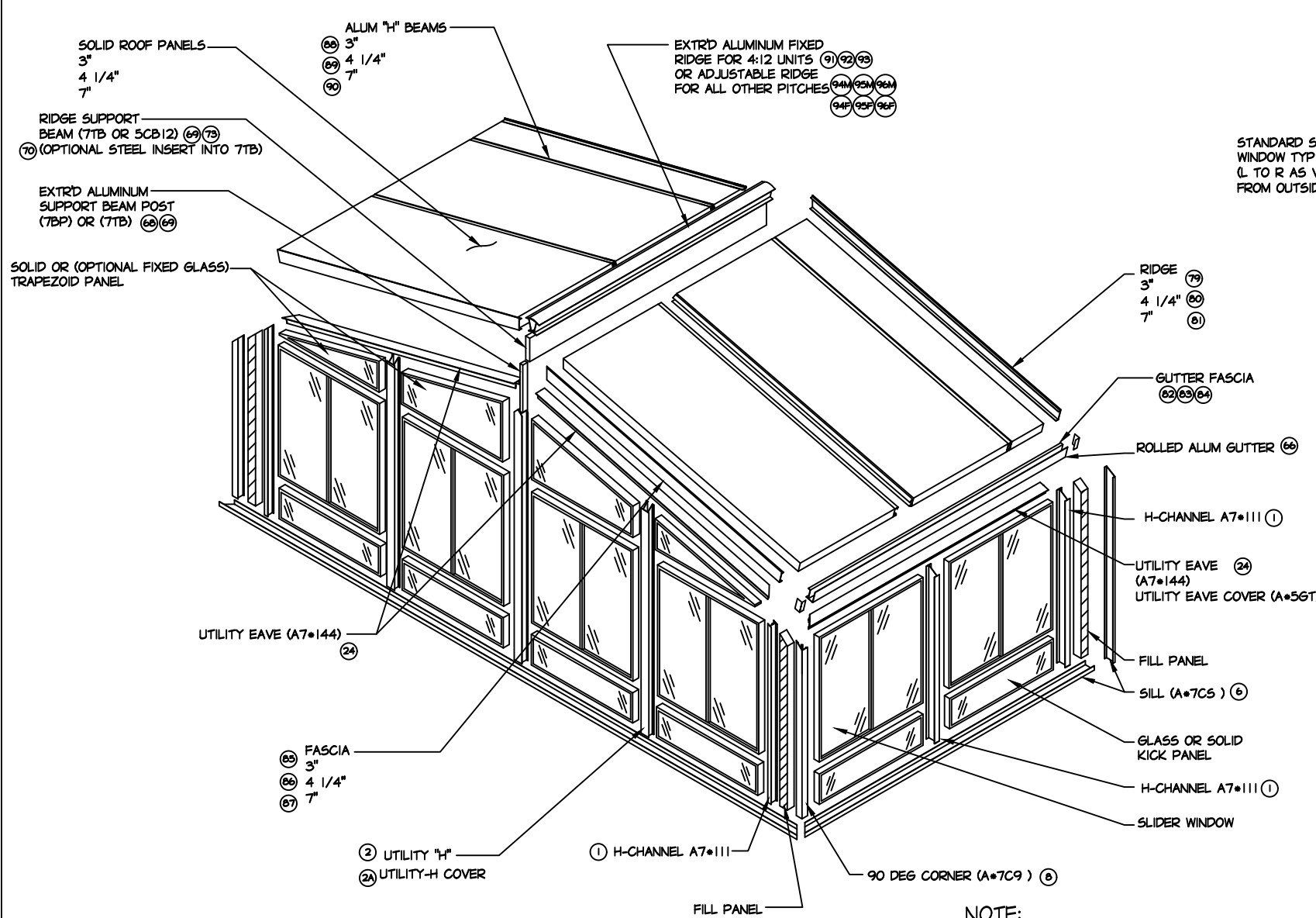


DRAWING TITLE
SERIES 230 SUN & SHADE
CATHEDRAL DESIGN

REV. No.	DATE	BY
1	2-18-14	RD
2	12-31-15	RD
3	10-1-18	RD
4	9-24-19	RD
5	7-18-22	RD

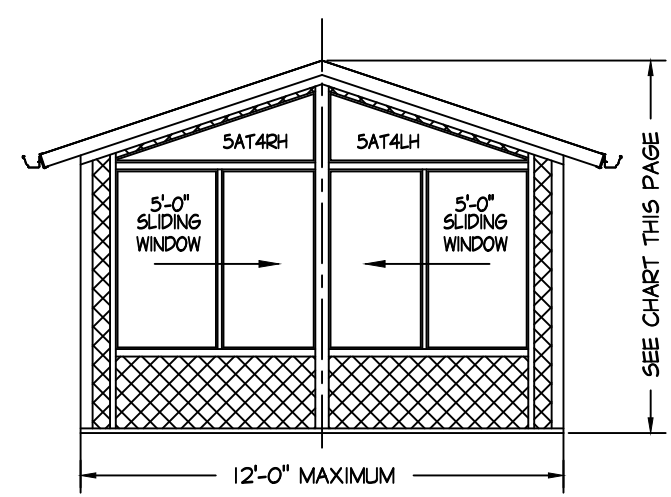
REVIEWED BY: AS
DWG. BY: RD
DATE: 1-10-11
JOB#:
SHADECATH-01



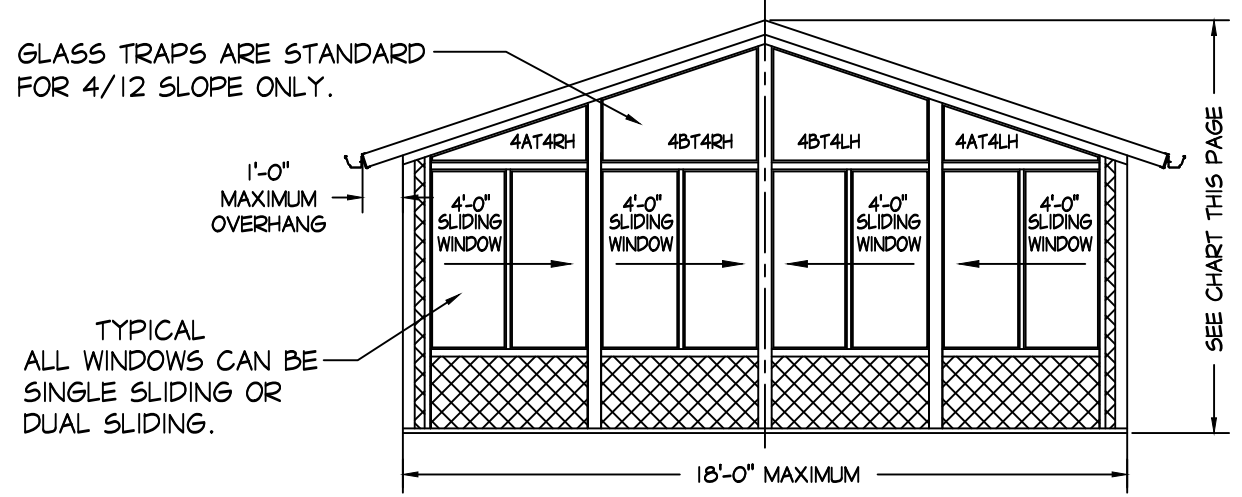
NOTE:
1. SEE DRAWINGS "GENERAL-03" THROUGH "GENERAL-06" FOR ALL ITEM NUMBERS. (X)

NOTE!
CALCULATIONS SHALL BE PREPARED BY A DESIGN PROFESSIONAL AND SUBMITTED TO THE BUILDING OFFICIAL DEMONSTRATING THE DESIGN SNOW LOADS DO NOT EXCEED THE ALLOWABLE ROOF SNOW LOADS SPECIFIED ON THE PLANS. AND THAT CALCULATIONS SHALL ADDRESS THE SNOW LOAD PREVISION OF IBC SECTION 1608 INCLUDING, BUT NOT LIMITED TO, RAIN-ON-SNOW SURCHARGE LOAD, UNBALANCED SNOW AND SNOW DRIFT. (AC 340 SECTION 5.5)

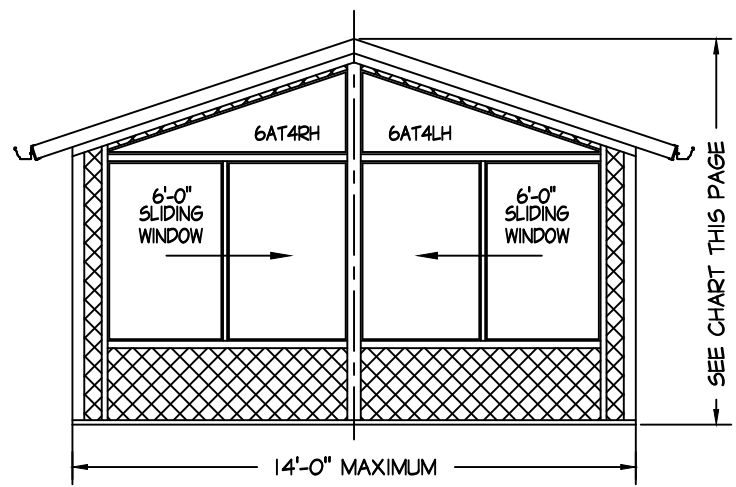
230 SUN & SHADE
CATHEDRAL MODEL
IAPMO EVALUATION REPORT
R0110



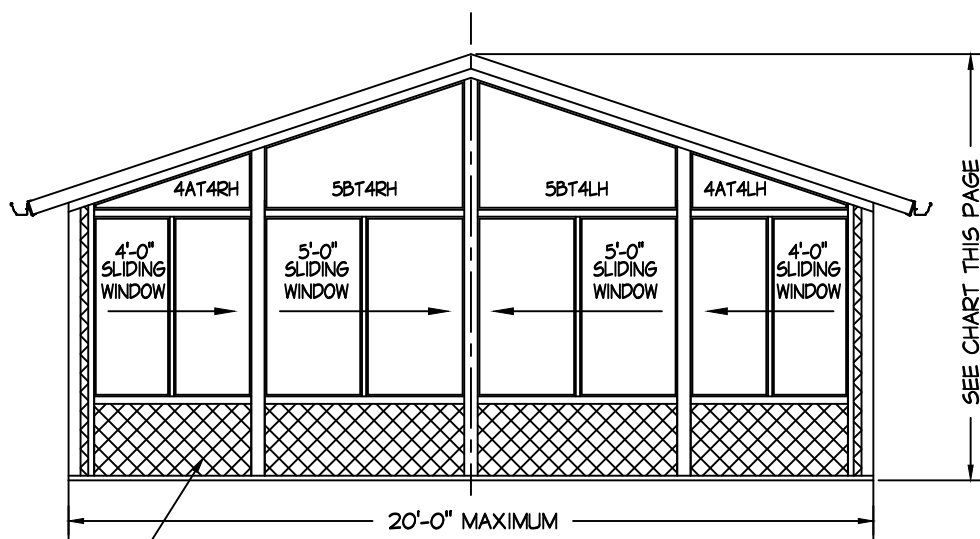
12'-0" FRONT WALL
4" THICK ROOF PANELS (SHOWN)
4/12 SLOPE



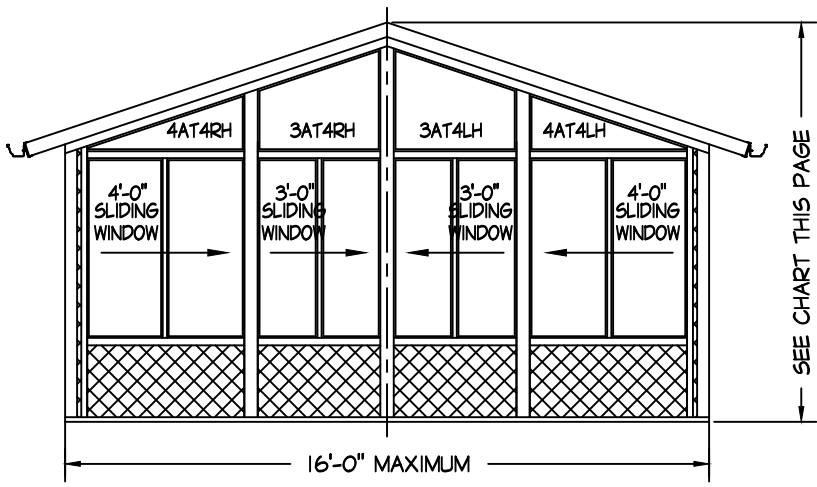
18'-0" FRONT WALL
4" THICK ROOF PANELS (SHOWN)
4/12 SLOPE



14'-0" FRONT WALL
4" THICK ROOF PANELS (SHOWN)
4/12 SLOPE



20'-0" FRONT WALL
4" THICK ROOF PANELS (SHOWN)
4/12 SLOPE



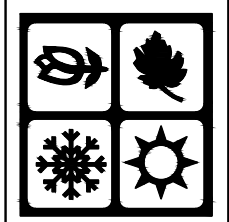
16'-0" FRONT WALL
4" THICK ROOF PANELS (SHOWN)
4/12 SLOPE

TYPICAL ALUMINUM, SLATE, GLASS KICKS, AND CONSERVAWALL ARE OPTIONAL. STUCCO KICKS ARE STANDARD.

- NOTE:
- FOR UNIT WIDTH SEE DRAWING "4".
 - ALL RIDGE HEIGHTS BASED ON 80-15/16" UNDERSIDE OF EAVE HEIGHT. THESE HEIGHTS CAN VARY WITH THE USE OF TRANSOMS & DIFFERENT SIZED KICK PANELS.
 - WHEN DETERMINING THE RIDGE HEIGHTS, USING THE 3" THICK ROOF PANEL SUBTRACT 1-1/4" FROM RIDGE HEIGHT. WHEN USING THE 7" THICK ROOF PANEL ADD 3-5/16" TO RIDGE HEIGHT.

SERIES 230 SUN & CATHEDRAL
MODEL CONFIGURATION

ROOM MODEL	MAX. UNIT FRONT WALL WIDTH	UNIT PROJECTION	RIDGE HEIGHT 4/12 SLOPE 4" ROOF PANEL
12'-0" FRONT WALL	12'-0" MAXIMUM	SEE NOTE 1	9'-3 7/16"
14'-0" FRONT WALL	14'-0" MAXIMUM	SEE NOTE 1	9'-7 7/16"
16'-0" FRONT WALL	16'-0" MAXIMUM	SEE NOTE 1	9'-11 7/16"
18'-0" FRONT WALL	18'-0" MAXIMUM	SEE NOTE 1	10'-3 7/16"
20'-0" FRONT WALL	20'-0" MAXIMUM	SEE NOTE 1	10'-7 7/16"
22'-0" FRONT WALL	22'-0" MAXIMUM	SEE NOTE 1	10'-11 7/16"
24'-0" FRONT WALL	24'-0" MAXIMUM	SEE NOTE 1	11'-3 7/16"



DRAWING TITLE
FRONT WALL ELEVATIONS
SUN & SHADE CATHEDRAL

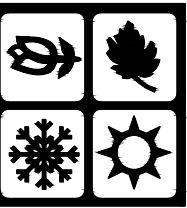
REV. No.	DATE	BY
1	2-18-14	RD
2	12-31-15	RD
3	10-1-18	RD
4	9-24-19	RD
5	7-18-22	RD

REVIEWED BY: AS

DWG. BY: RD

DATE: 1-10-11

JOB#:
SHADECATH-02



DRAWING TITLE
FRONT WALL ELEVATIONS
SUN & SHADE CATHEDRAL

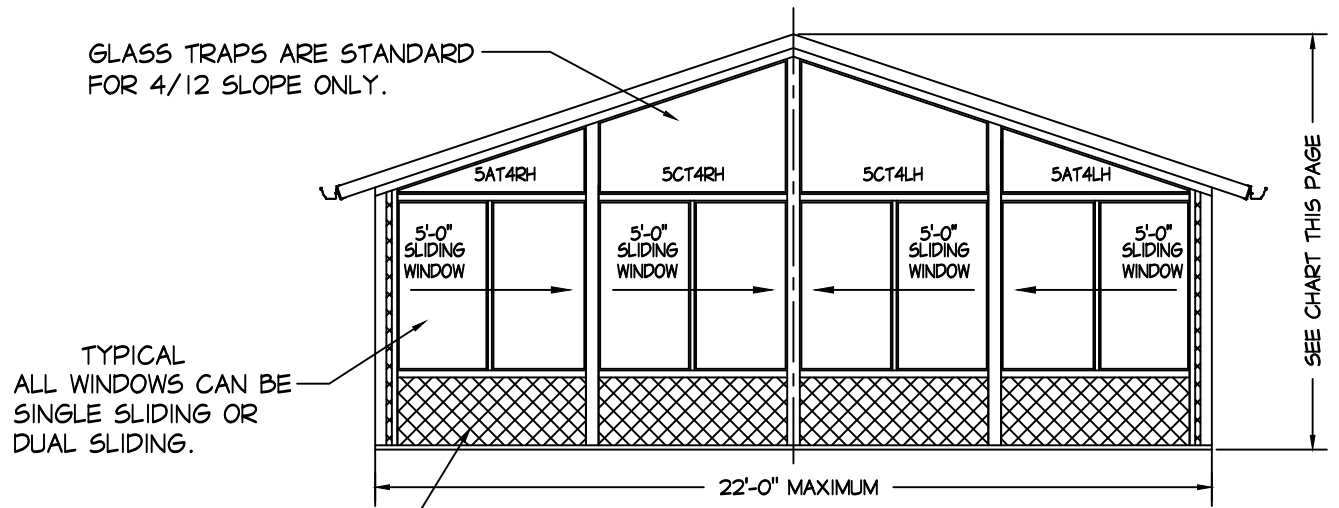
REV. No.	DATE	BY
1	2-18-14	RD
2	12-31-15	RD
3	10-1-18	RD
4	9-24-19	RD
5	7-18-22	RD

REVIEWED BY: AS

DWG. BY: RD

DATE: 1-10-11

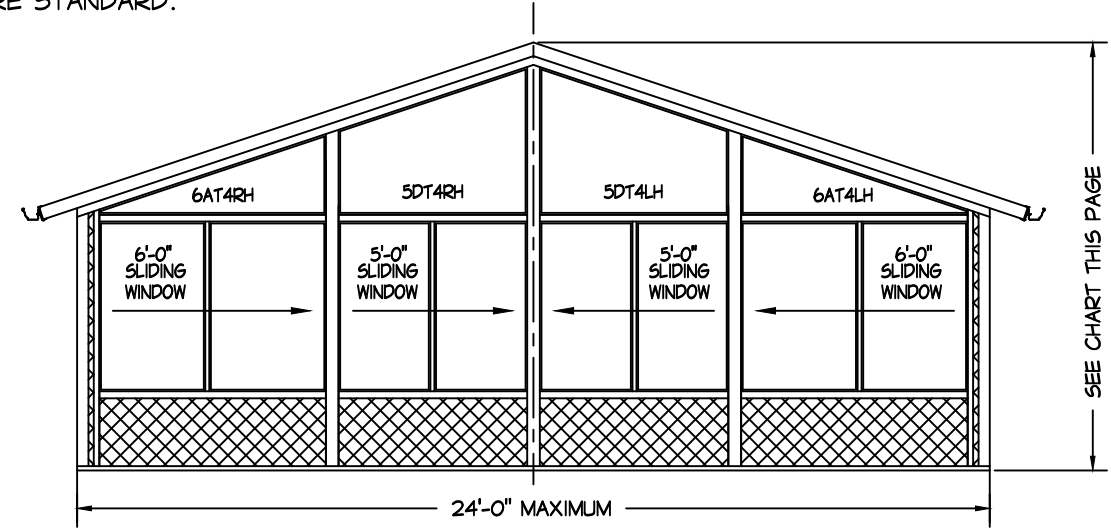
JOB#:
SHADECATH-03



22'-0" FRONT WALL
4" THICK ROOF PANELS (SHOWN)
4/12 SLOPE

TYPICAL ALUMINUM, SLATE, GLASS KICKS, AND CONSERVAWALL ARE OPTIONAL. STUCCO KICKS ARE STANDARD.

TYPICAL ALL WINDOWS CAN BE SINGLE SLIDING OR DUAL SLIDING.

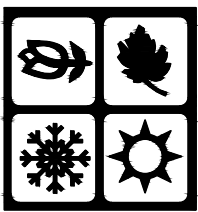


24'-0" FRONT WALL
4" THICK ROOF PANELS (SHOWN)
4/12 SLOPE

SERIES 230 SUN & CATHEDRAL MODEL CONFIGURATION

ROOM MODEL	MAX. UNIT FRONT WALL WIDTH	UNIT PROJECTION	RIDGE HEIGHT 4/12 SLOPE 4" ROOF PANEL
12'-0" FRONT WALL	12'-0" MAXIMUM	SEE NOTE 1	9'-3 7/16"
14'-0" FRONT WALL	14'-0" MAXIMUM	SEE NOTE 1	9'-7 7/16"
16'-0" FRONT WALL	16'-0" MAXIMUM	SEE NOTE 1	9'-11 7/16"
18'-0" FRONT WALL	18'-0" MAXIMUM	SEE NOTE 1	10'-3 7/16"
20'-0" FRONT WALL	20'-0" MAXIMUM	SEE NOTE 1	10'-7 7/16"
22'-0" FRONT WALL	22'-0" MAXIMUM	SEE NOTE 1	10'-11 7/16"
24'-0" FRONT WALL	24'-0" MAXIMUM	SEE NOTE 1	11'-3 7/16"

- NOTE:
- FOR UNIT WIDTH SEE DRAWING "4".
 - ALL RIDGE HEIGHTS BASED ON 80-15/16" UNDERSIDE OF EAVE HEIGHT. THESE HEIGHTS CAN VARY WITH THE USE OF TRANSOMS & DIFFERENT SIZED KICK PANELS.
 - WHEN DETERMINING THE RIDGE HEIGHTS, USING THE 3" THICK ROOF PANEL SUBTRACT 1-1/4" FROM RIDGE HEIGHT. WHEN USING THE 7" THICK ROOF PANEL ADD 3-5/16" TO RIDGE HEIGHT.



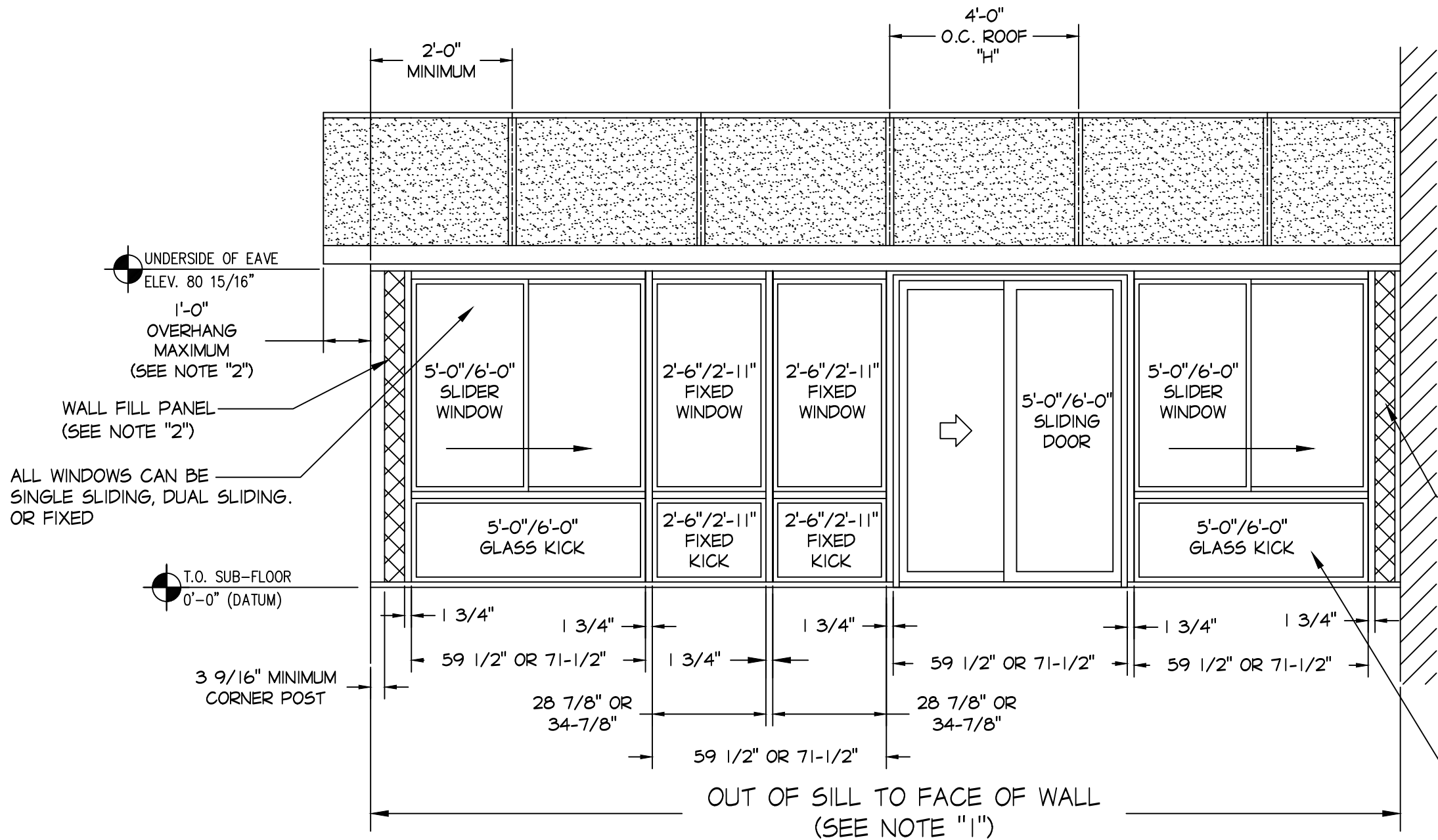
REV. No.	DATE	BY
1	2-18-14	RD
2	12-31-15	RD
3	10-1-18	RD
4	9-24-19	RD
5	7-18-22	RD

REVIEWED BY: AS

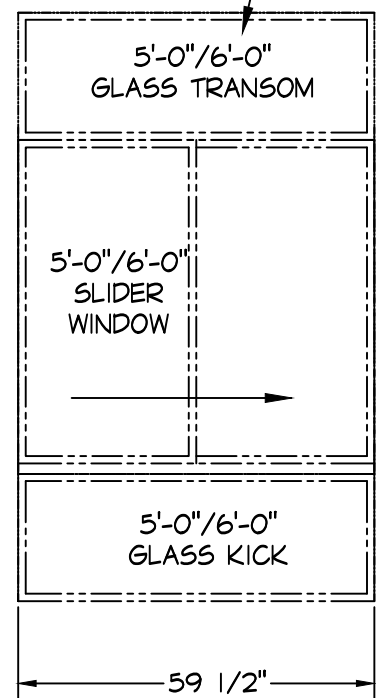
DWG. BY: RD

DATE: 12-11-07

JOB#:
SHADECATH-04



1'-0" AND 2'-0" TALL
TRANSOMS ARE
AVAILABLE AS AN OPTION.



WALL FILL PANEL
(SEE NOTE "2")

ALUMINUM, SLATE PANELS, AND
GLASS KICKS ARE OPTIONAL.
STUCCO KICKS ARE STANDARD.

(A) TYP. FRONT ELEVATION CONFIGURATION OPTIONS
SCALE: 3/8"=1'-0"

- NOTE:
1. UNIT WIDTH VARIES DEPENDING UPON WINDOW/DOOR WIDTH CONFIGURATIONS. ALSO IN COMBINATION WITH ROOF PANEL OVERHANG RESTRICTIONS.
 2. WALL FILL PANEL WIDTH CAN VARY TO ACCOMMODATE THE MINIMUM AND MAXIMUM ROOF PANEL OVERHANGS.
 3. ALL RIDGE HEIGHTS ARE BASED ON 80-15/16" UNDERSIDE OF EAVE HEIGHT. THESE HEIGHTS CAN VARY WITH THE USE OF TRANSOMS & DIFFERENT SIZED KICK PANELS.
 4. STANDARD FRONT WALL CONFIGURATION CAN BE ANY COMBINATION AND QUANTITY OF OPTIONS SHOWN IN ELEVATION "A".

UNDERSIDE OF EAVE
ELEV. 80 15/16"

1'-0" OVERHANG
MAXIMUM
(SEE NOTE "2")

WALL FILL PANEL
(SEE NOTE "2")

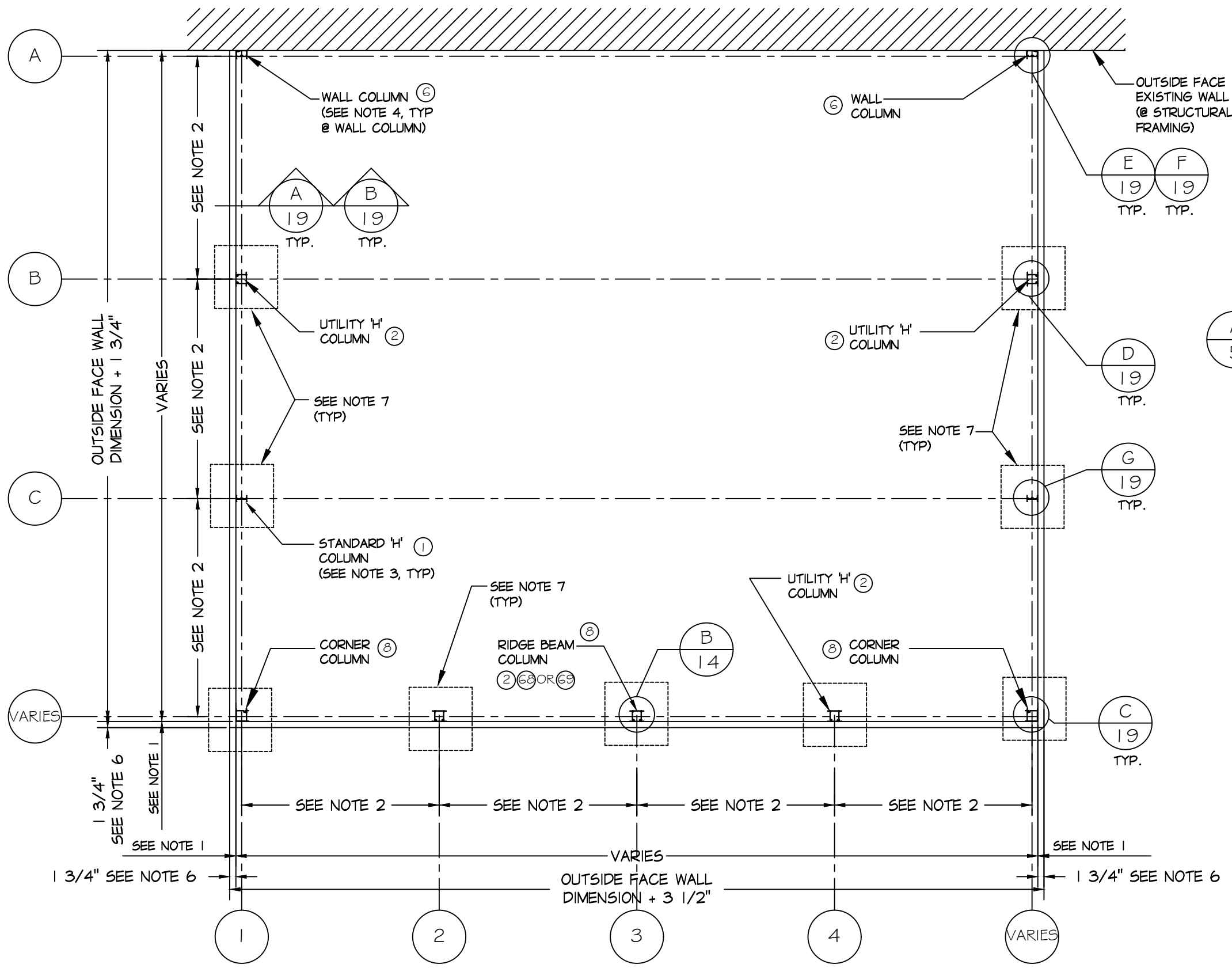
ALL WINDOWS CAN BE
SINGLE SLIDING, DUAL SLIDING,
OR FIXED

T.O. SUB-FLOOR
0'-0" (DATUM)

3 9/16" MINIMUM
CORNER POST

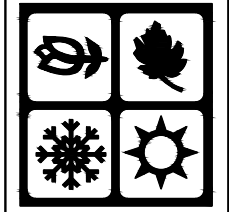
OUT OF SILL TO FACE OF WALL
(SEE NOTE "1")

FOUR SEASONS SOLAR PRODUCTS, LLC.
5005 VETERANS MEMORIAL HIGHWAY
HOLBROOK, NEW YORK 11741
DESIGNERS AND MANUFACTURERS
OF FOUR SEASONS SUNROOMS



A 5 FLOOR PLAN SCALE=3/8"=1'-0"

- NOTE:
1. DIM. TO OUTSIDE FACE OF WALL.
 2. COLUMN SPACING VARIES DEPENDING UPON WINDOW & DOOR SIZES & CONFIGURATION. 6'-3/4" MAX. ON CENTER SPACING.
 3. ACTUAL H- CHANNEL IS SLIGHTLY LESS THAN 1 3/4"; USING 1 3/4" IN CALCULATIONS OF WALL DIMENSIONS HELPS TO ACCOUNT FOR MANUFACTURING TOLERANCES IN WINDOW AND DOOR DIMENSIONS.
 4. IF H- CHANNEL IS OMITTED EXPOSED WIDTH OF CLOSED SILL IS 1 3/8" (THIS WILL NOT ALLOW FOR AN OUT OF PLUMB HOUSE WALL).
 5. MINIMUM FILL WIDTH 1 1/8" (H-CHANNEL BUTTING TO CORNER OR WINDOW/DOOR DIRECTLY INTO CORNER). IFF APPLICABLE.
 6. MINIMUM FOUNDATION PROJECTION REQ'D TO ACHIEVE DESIRED ANCHOR BOLT CAPACITY (FOR CONCRETE FOUNDATION ONLY).
 7. FOR FOOTING SIZE & WIDTH REQUIRED, SEE GENERAL-16 THRU GENERAL-19 DRAWINGS.
 8. FOOTING TYPE MAY VARY, COORDINATE FOOTING TYPE WITH DETAILS & CHARTS.



DRAWING TITLE
FOUNDATION PLAN
SUN & SHADE CATHEDRAL

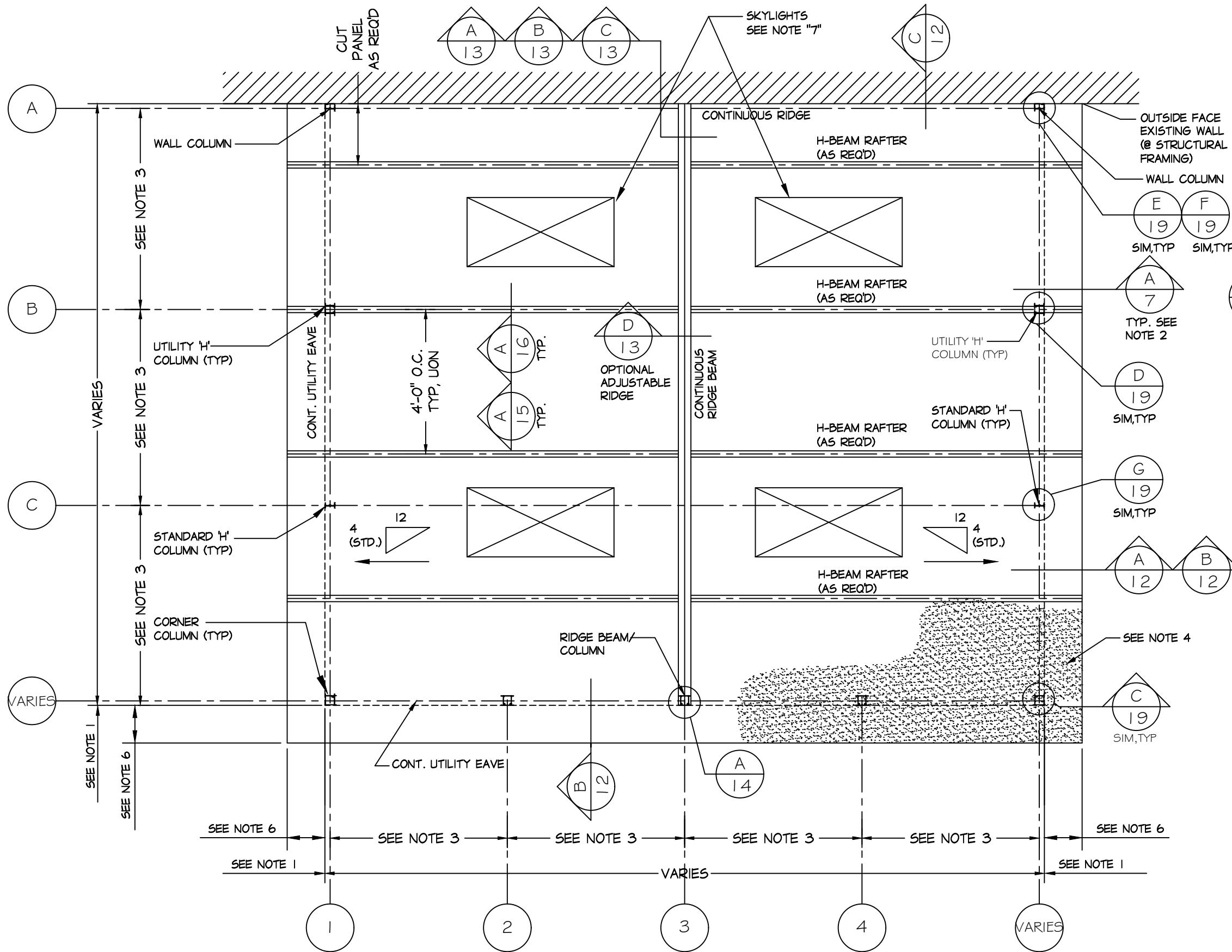
REV. No.	DATE	BY
1	2-18-14	RD
2	12-31-15	RD
3	10-1-18	RD
4	9-24-19	RD
5	7-18-22	RD

REVIEWED BY: AS

DWG. BY: RD

DATE: 1-10-11

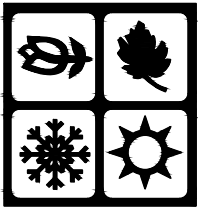
JOB#:
SHADECATH-05



A ROOF FRAMING PLAN
6 SCALE=3/8"=1'-0"

- NOTE:
- DIM. TO OUTSIDE FACE OF WALL.
 - WALL SECTIONS VARY DEPENDING UPON MODEL CONFIGURATION, SEE DRAWINGS 7 THRU 11 FOR ADDITIONAL OPTIONS
 - COLUMN SPACING VARIES DEPENDING UPON WINDOW & DOOR SIZES & CONFIGURATION. 6'-3/4" MAX. ON CENTER SPACING.
 - HATCH DENOTES ROOF PANELS, COORDINATE W/ H-BEAM AS REQ'D.
 - FOR NOTES NOT SHOWN SEE DRAWING 5 "FLOOR PLAN".
 - ROOF OVERHANG VARIES 1'-0" MAX.
 - FOR ALL SKYLIGHT INFORMATION SEE DRAWINGS 17 & 18.

NOTE!
SEE DRAWINGS 15 & 16
FOR ROOF PANEL TYPE
VARIATIONS

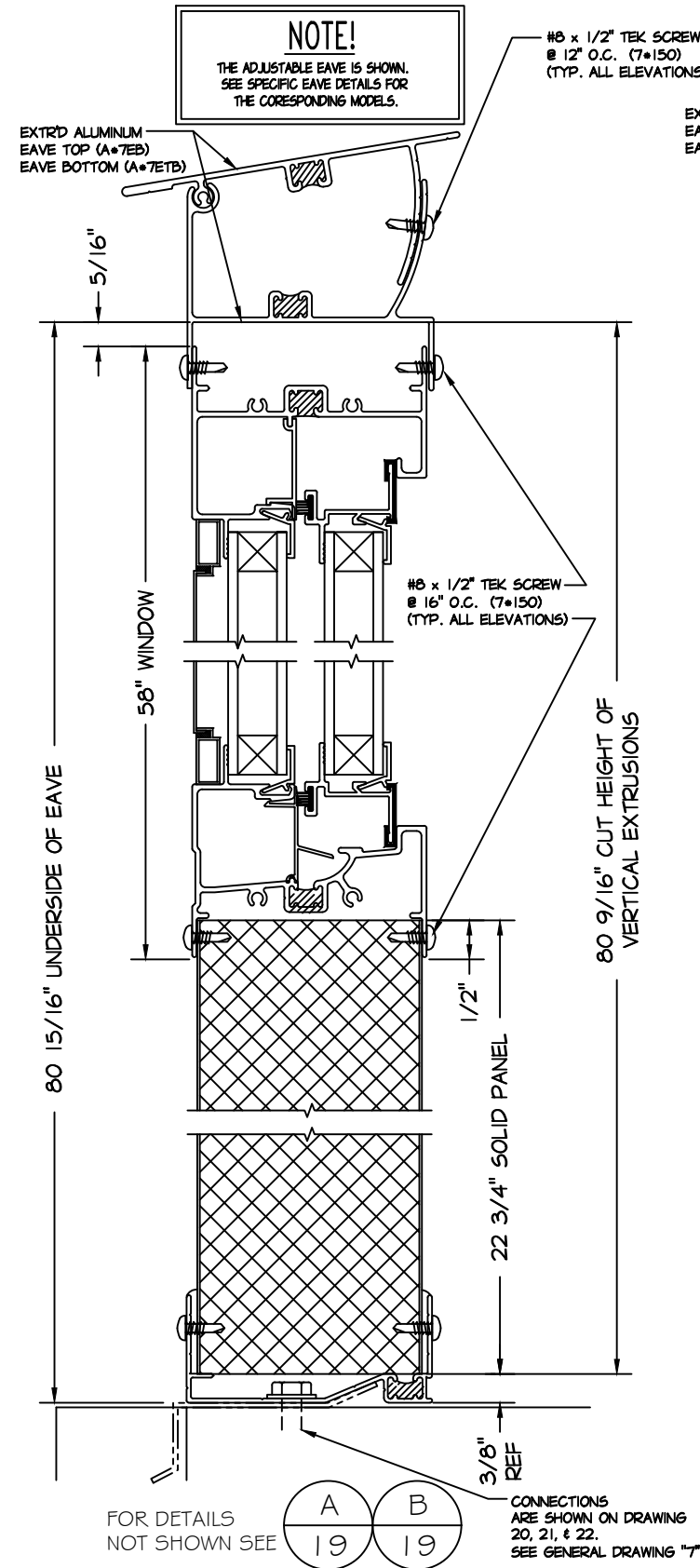
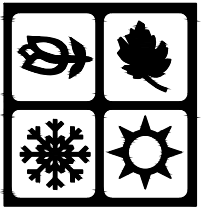


DRAWING TITLE
ROOF PLAN
SUN & SHADE CATHEDRAL

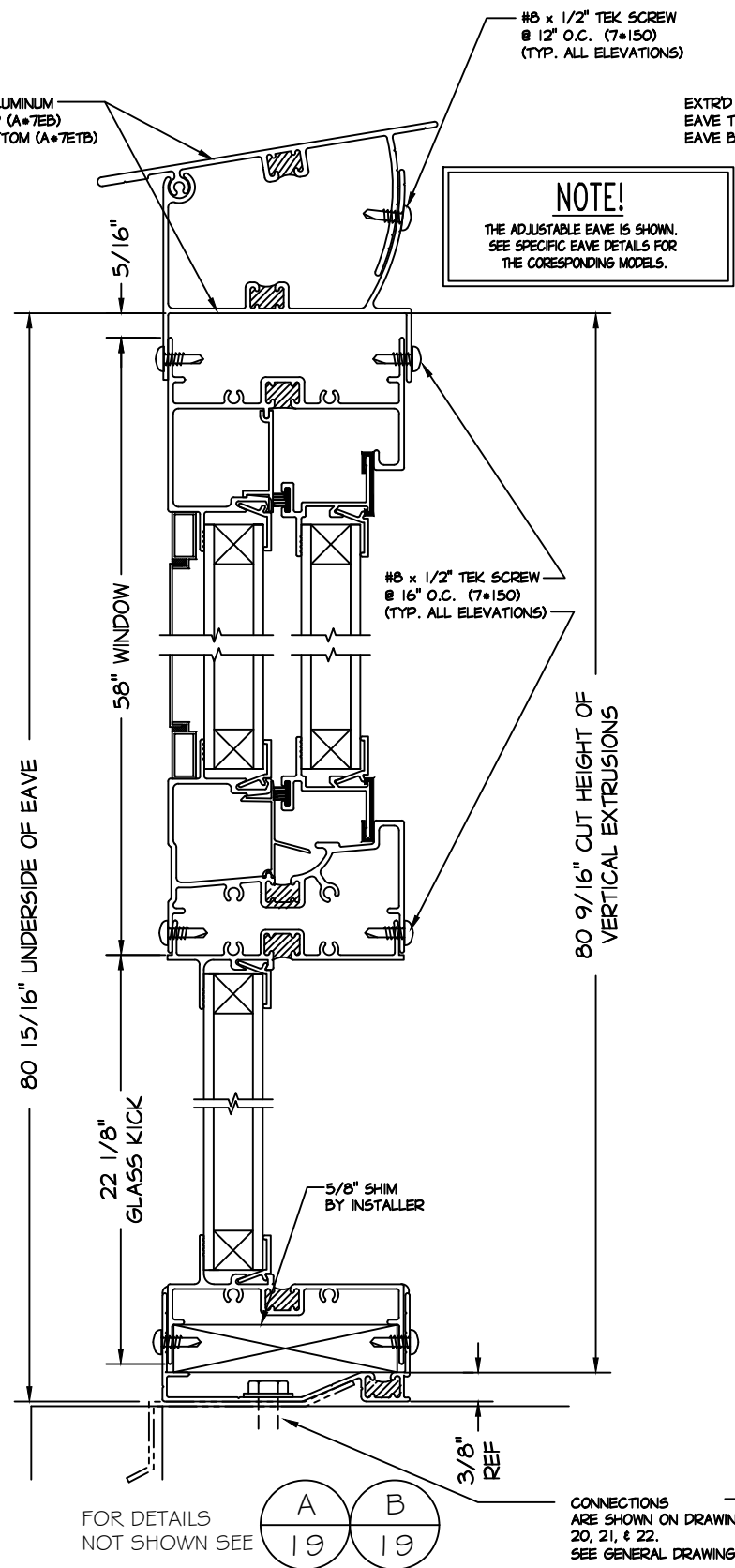
REV. No.	DATE	BY
1	2-18-14	RD
2	12-31-15	RD
3	10-1-18	RD
4	9-24-19	RD
5	7-18-22	RD

REVIEWED BY: AS
DWG. BY: RD
DATE: 1-10-11

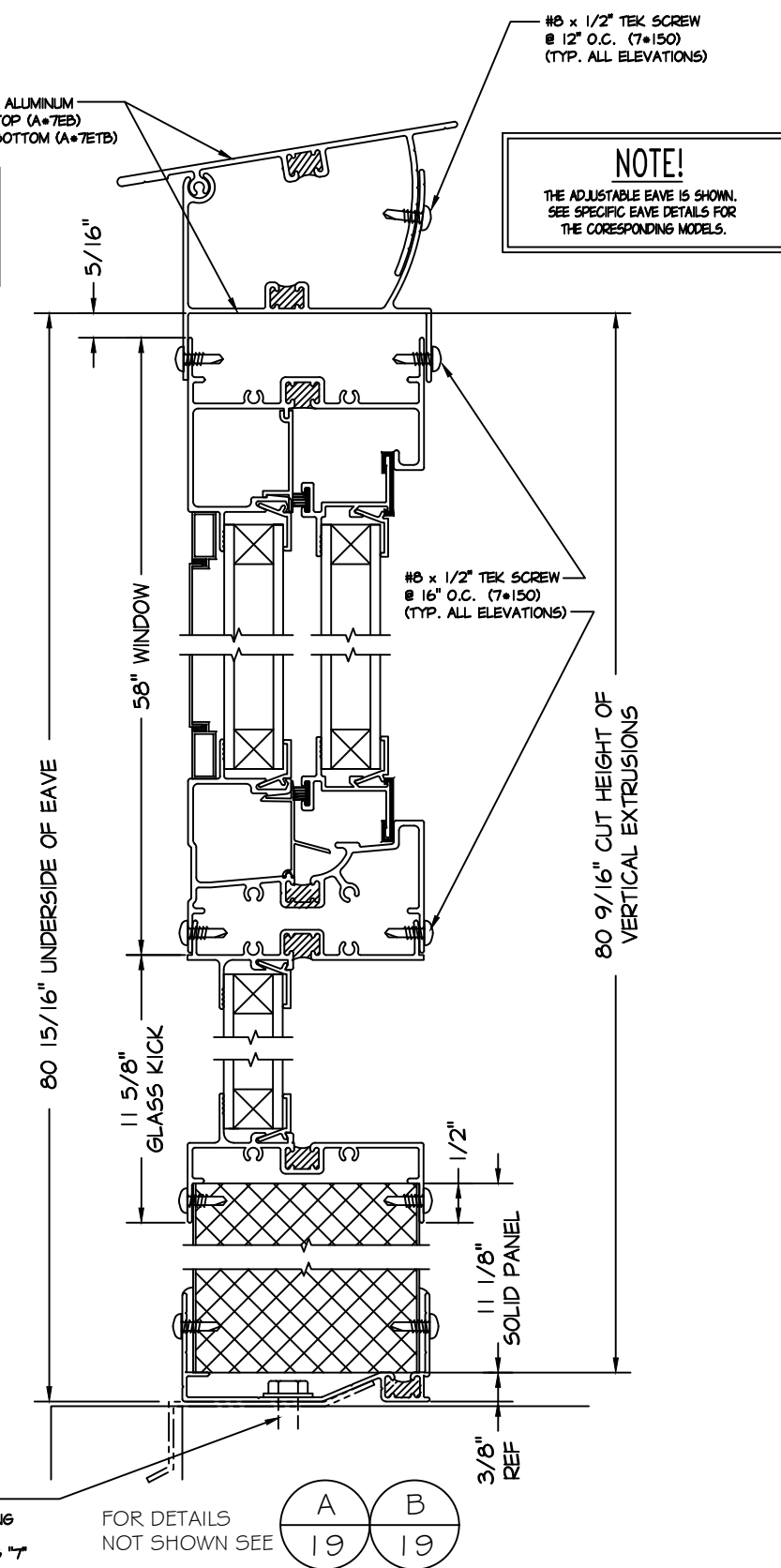
JOB#:
SHADECATH-06



A **7** SOLID KICK PANEL-WINDOW NO TRANSOM (FX MODEL) NOT TO SCALE



A **7** 22" GLASS KICK PANEL-WINDOW NO TRANSOM (FX MODEL) NOT TO SCALE



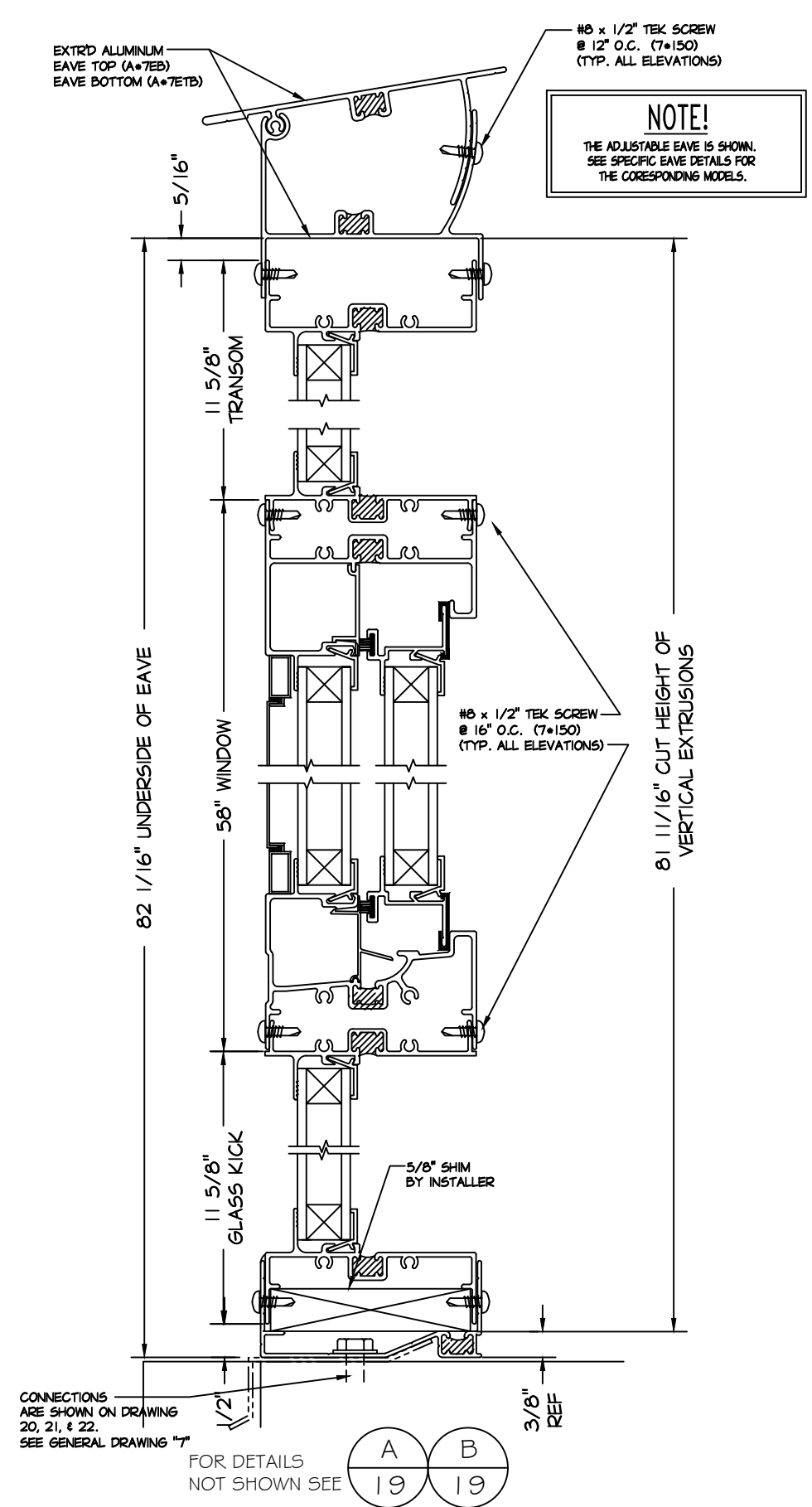
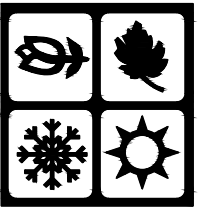
A **7** 11" SOLID KICK PANEL-12" GLASS KICK WITH WINDOW NO TRANSOM (FX MODEL) NOT TO SCALE

DRAWING TITLE
WALL SECTIONS (FX MODELS)
SUN & SHADE CATHEDRAL

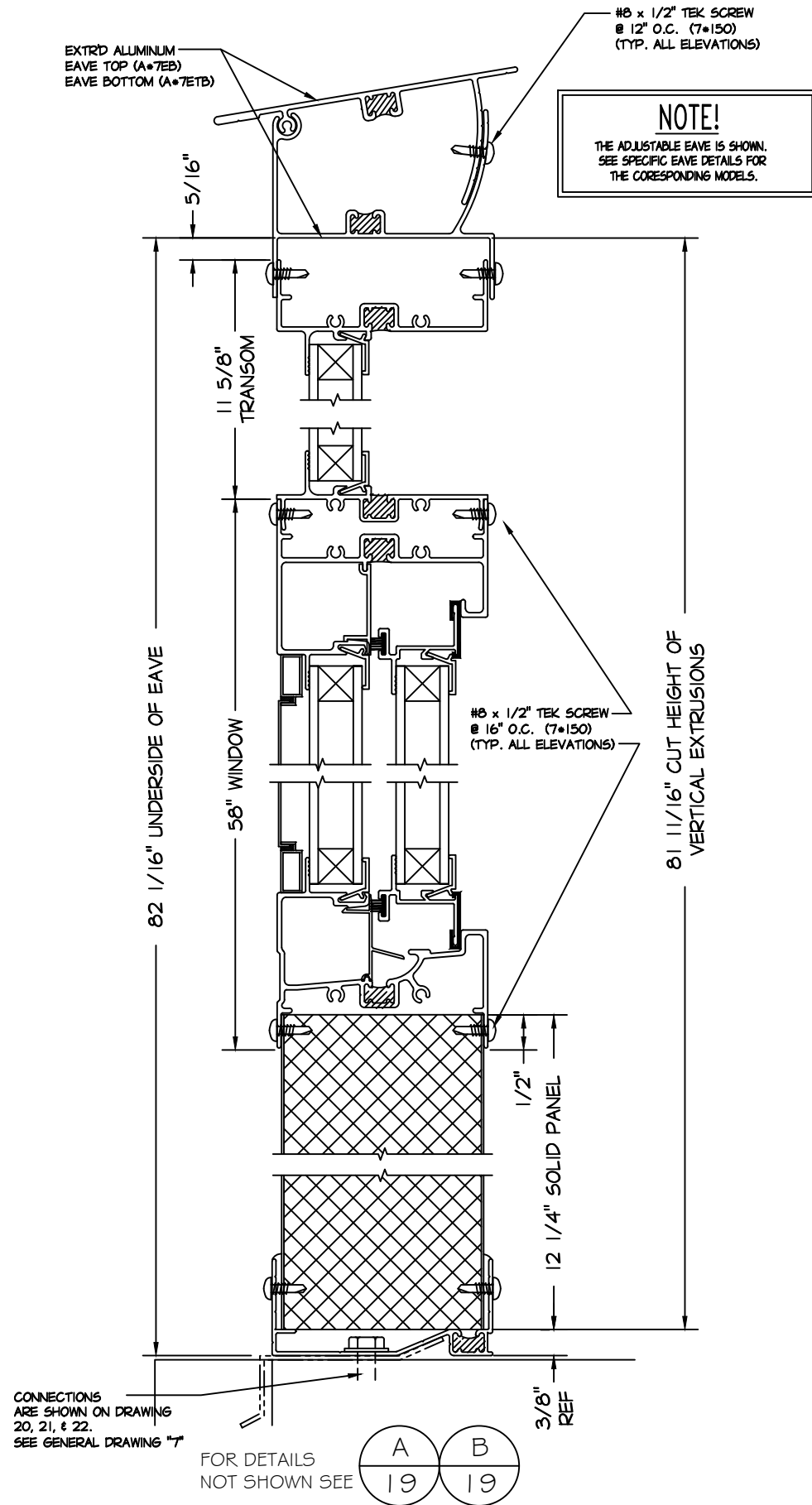
REV. No.	DATE	BY
1	2-18-14	RD
2	12-31-15	RD
3	10-1-18	RD
4	9-24-19	RD
5	7-18-22	RD

REVIEWED BY: AS
DWG. BY: RD
DATE: 1-10-11

JOB#:
SHADECATH-07



A 12" SOLID KICK PANEL-WINDOW NOT TO SCALE
8 12" GLASS TRANSOM (FH MODELS)



A 12" SOLID KICK PANEL-WINDOW NOT TO SCALE
8 12" GLASS TRANSOM (FH MODELS)

DRAWING TITLE
WALL SECTIONS (FH MODELS)
SUN & SHADE CATHEDRAL

REV. No.	DATE	BY
1	2-18-14	RD
2	12-31-15	RD
3	10-1-18	RD
4	9-24-19	RD
5	7-18-22	RD

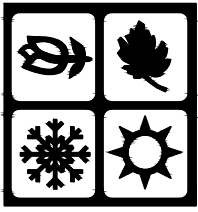
REVIEWED BY: AS

DWG. BY: RD

DATE: 1-10-11

JOB#:
SHADECATH-08

FOUR SEASONS SOLAR PRODUCTS, LLC.
5005 VETERANS MEMORIAL HIGHWAY
HOLBROOK, NEW YORK 11741
DESIGNERS AND MANUFACTURERS
OF FOUR SEASONS SUNROOMS



DRAWING TITLE
WALL SECTIONS (FT MODELS)
SUN & SHADE CATHEDRAL

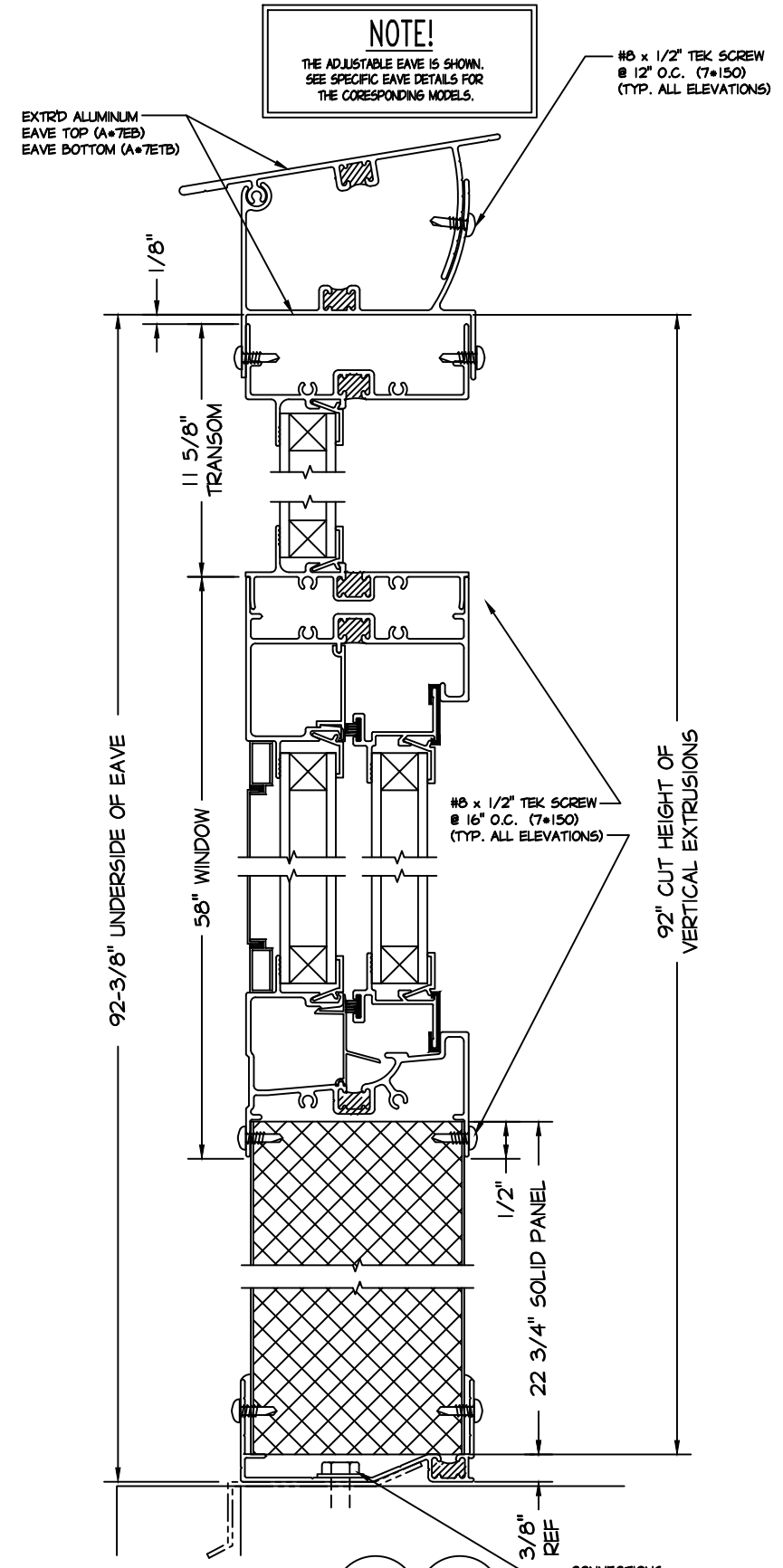
REV. No.	DATE	BY
1	2-18-14	RD
2	12-31-15	RD
3	10-1-18	RD
4	9-24-19	RD
5	7-18-22	RD

REVIEWED BY: AS

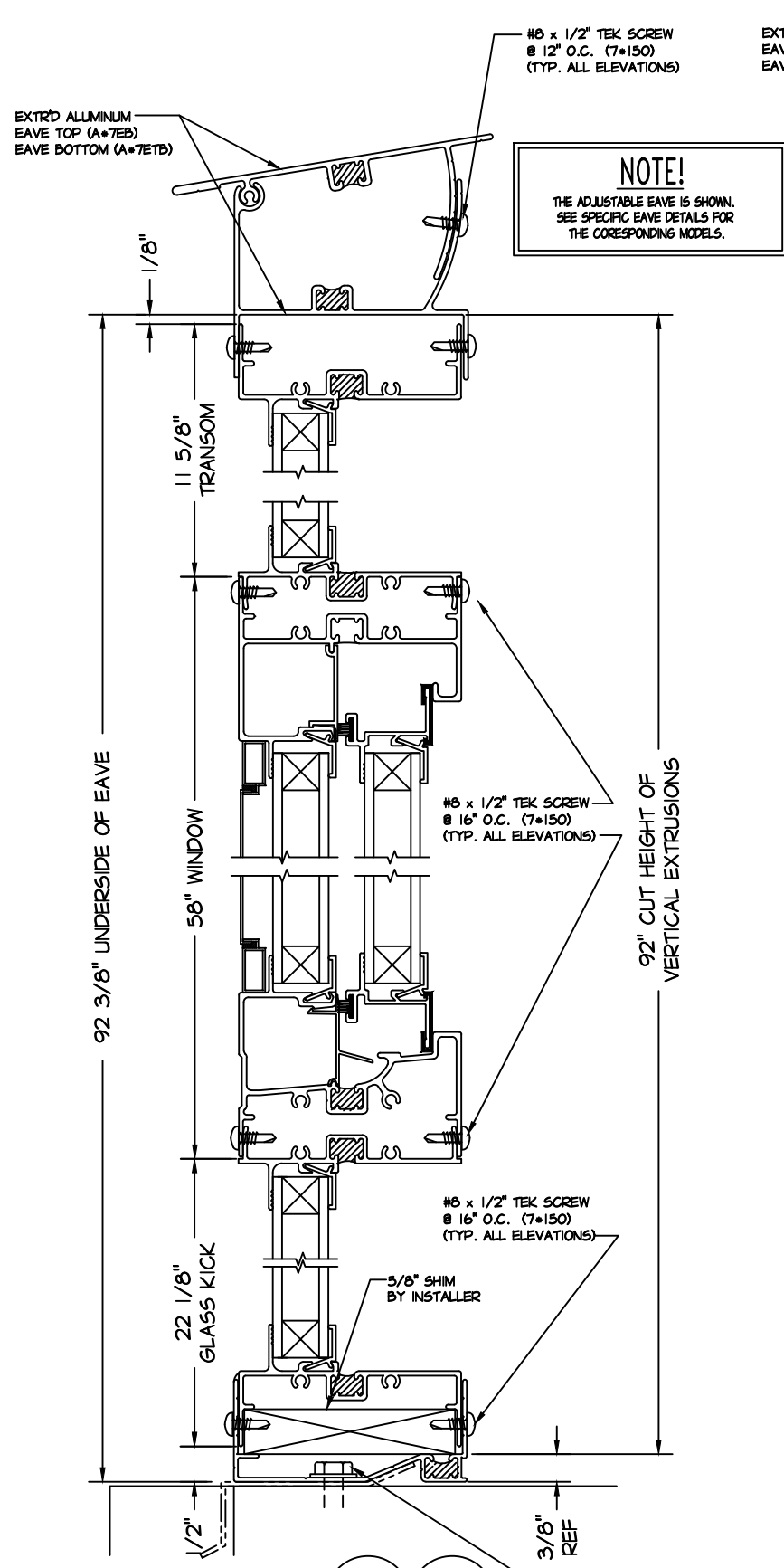
DWG. BY: RD

DATE: 1-10-11

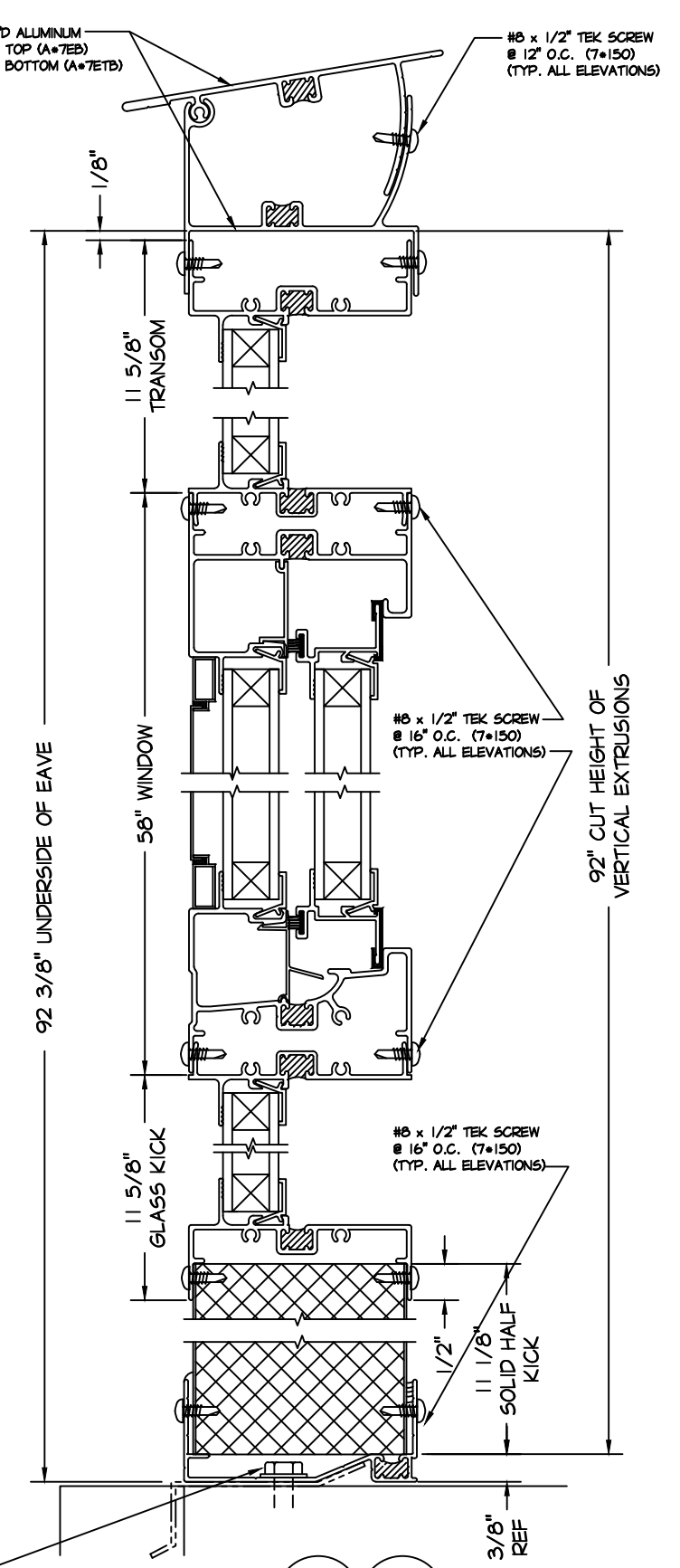
JOB#:
SHADECATH-09



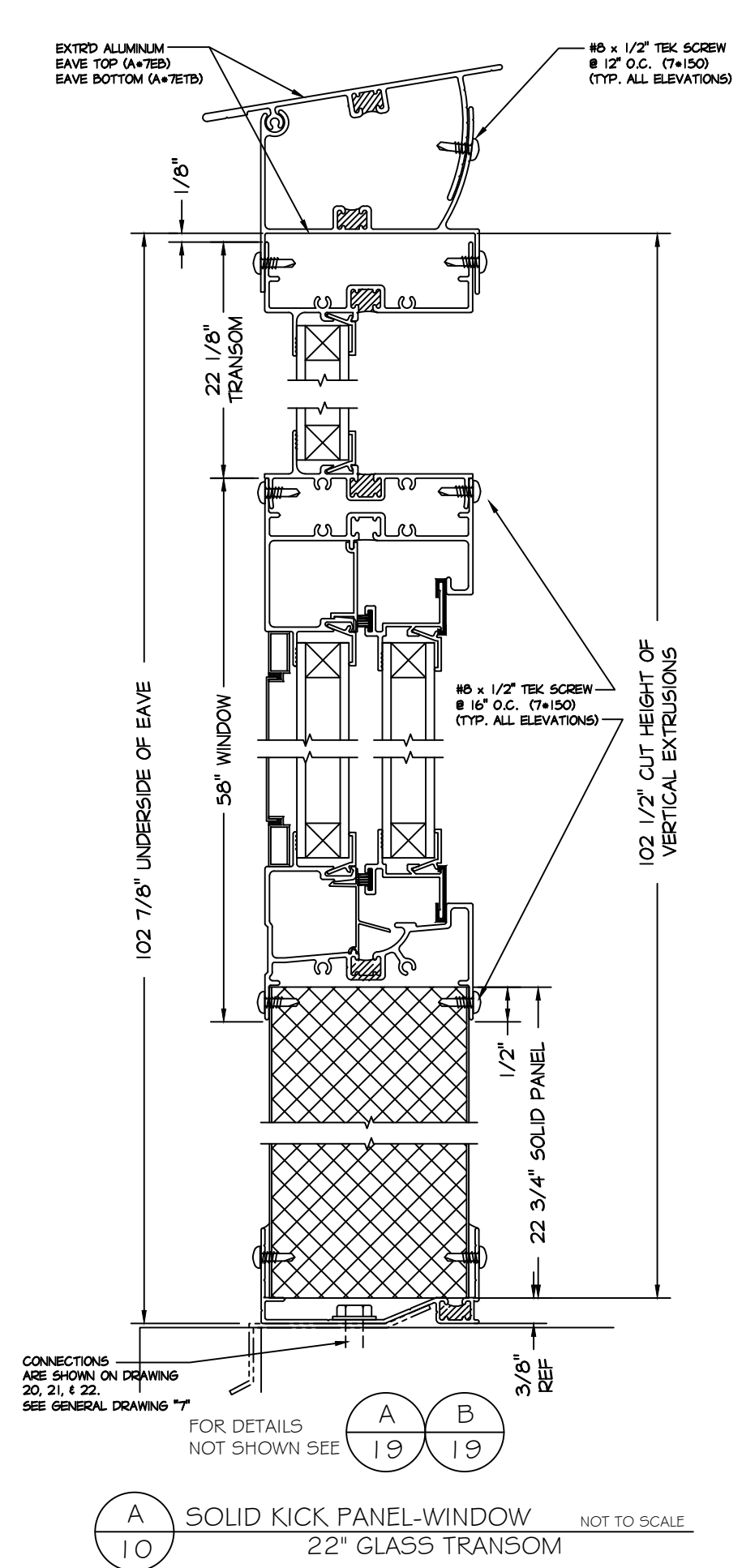
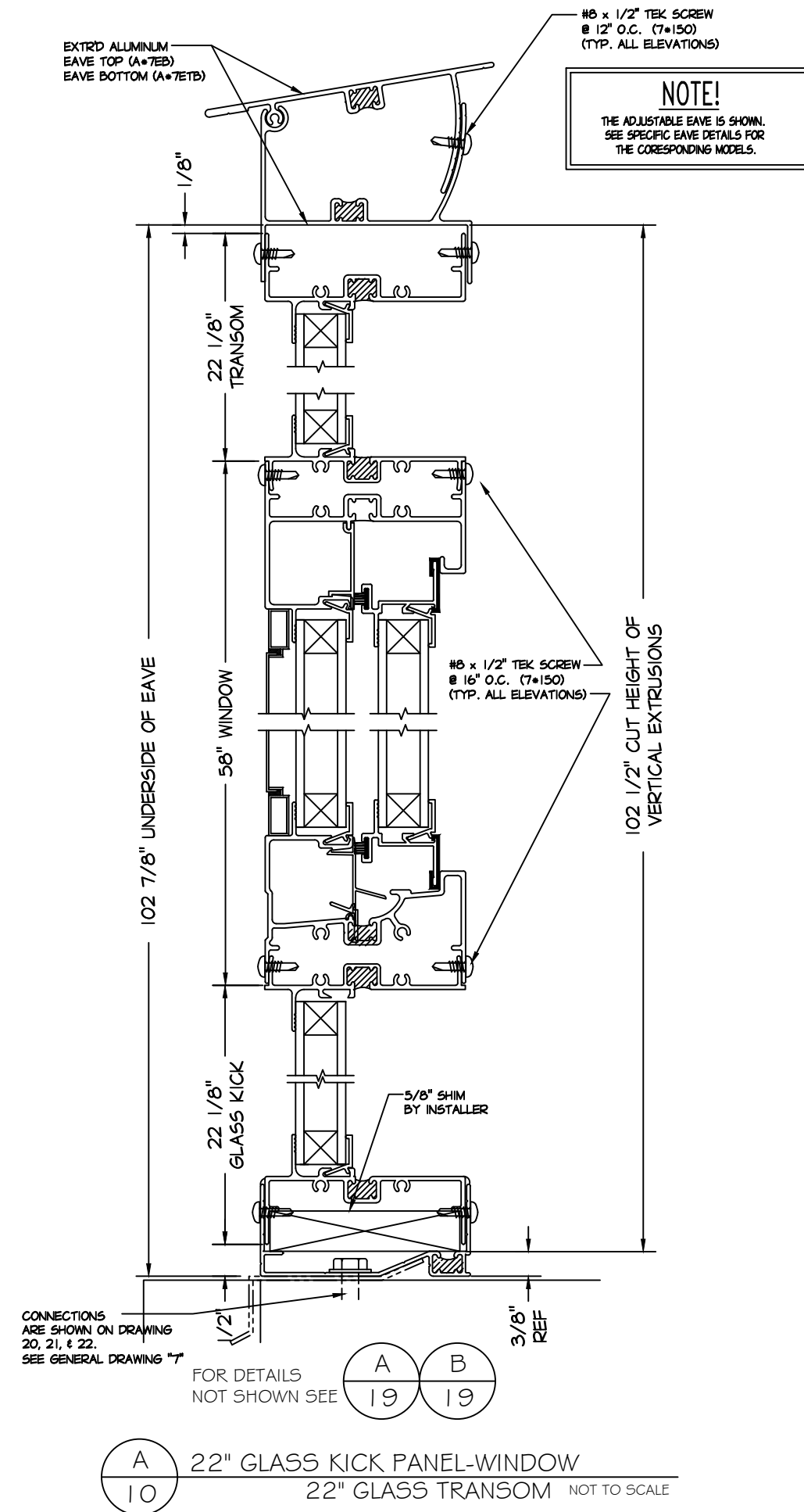
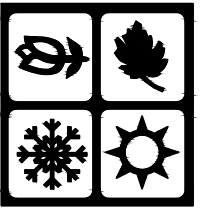
A 9 SOLID KICK PANEL-WINDOW WITH WINDOW / 1 2" GLASS TRANSOM (FT MODELS) NOT TO SCALE



A 9 22" GLASS KICK PANEL-WINDOW WITH WINDOW / 1 2" GLASS TRANSOM (FT MODELS) NOT TO SCALE



A 9 11" SOLID KICK PANEL-1 2" GLASS KICK WITH WINDOW / 1 2" GLASS TRANSOM (FT MODELS) NOT TO SCALE



DRAWING TITLE
WALL SECTIONS (102 7/8" EAVE HT)
SUN & SHADE CATHEDRAL

REV. No.	DATE	BY
1	2-18-14	RD
2	12-31-15	RD
3	10-1-18	RD
4	9-24-19	RD
5	7-18-22	RD

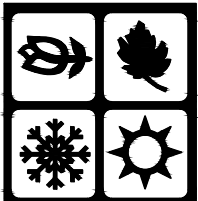
REVIEWED BY: AS

DWG. BY: RD

DATE: 1-10-11

JOB#:
SHADECATH-10

FOUR SEASONS SOLAR PRODUCTS, LLC.
5005 VETERANS MEMORIAL HIGHWAY
HOLBROOK, NEW YORK 11741
DESIGNERS AND MANUFACTURERS
OF FOUR SEASONS SUNROOMS



DRAWING TITLE
WALL SECTIONS (BT, BH & BX)
SUN & SHADE CATHEDRAL

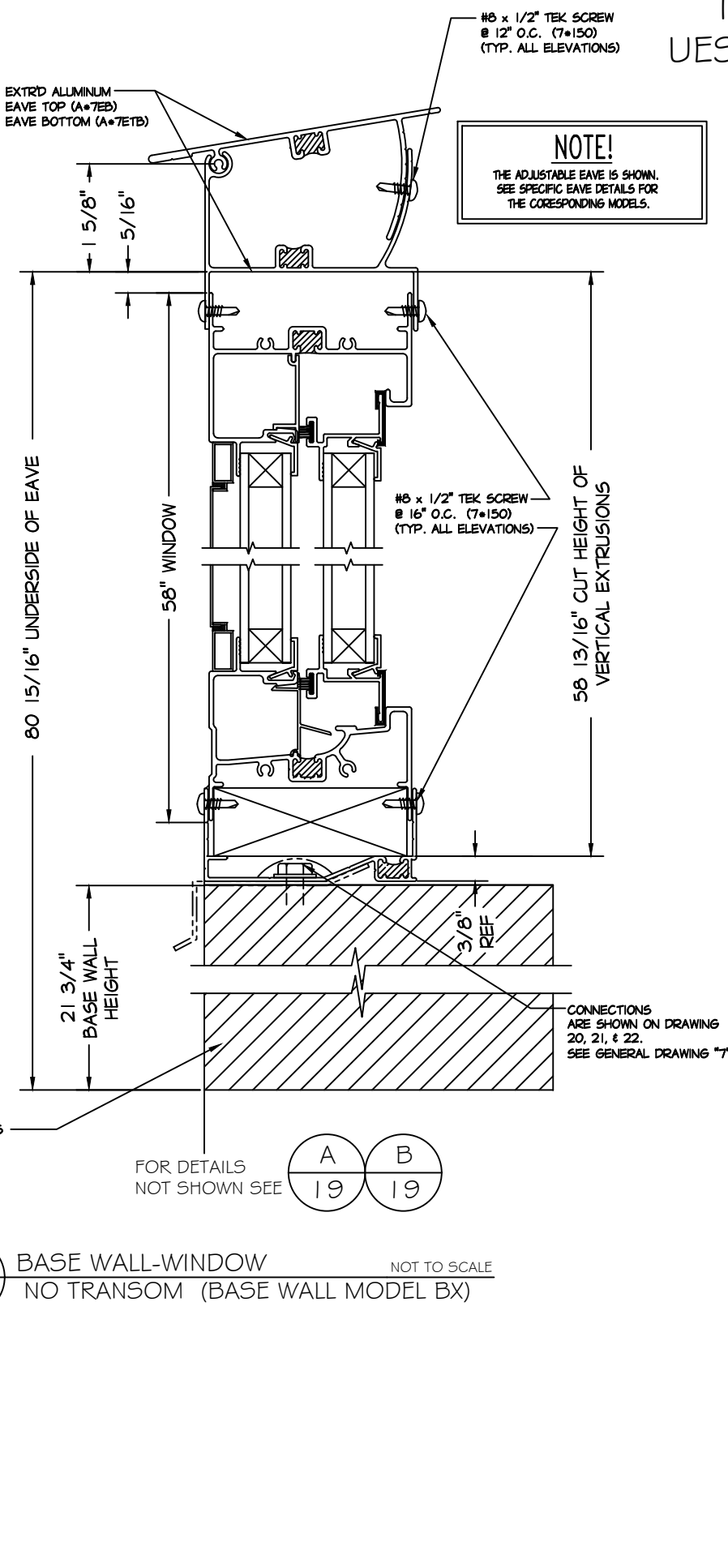
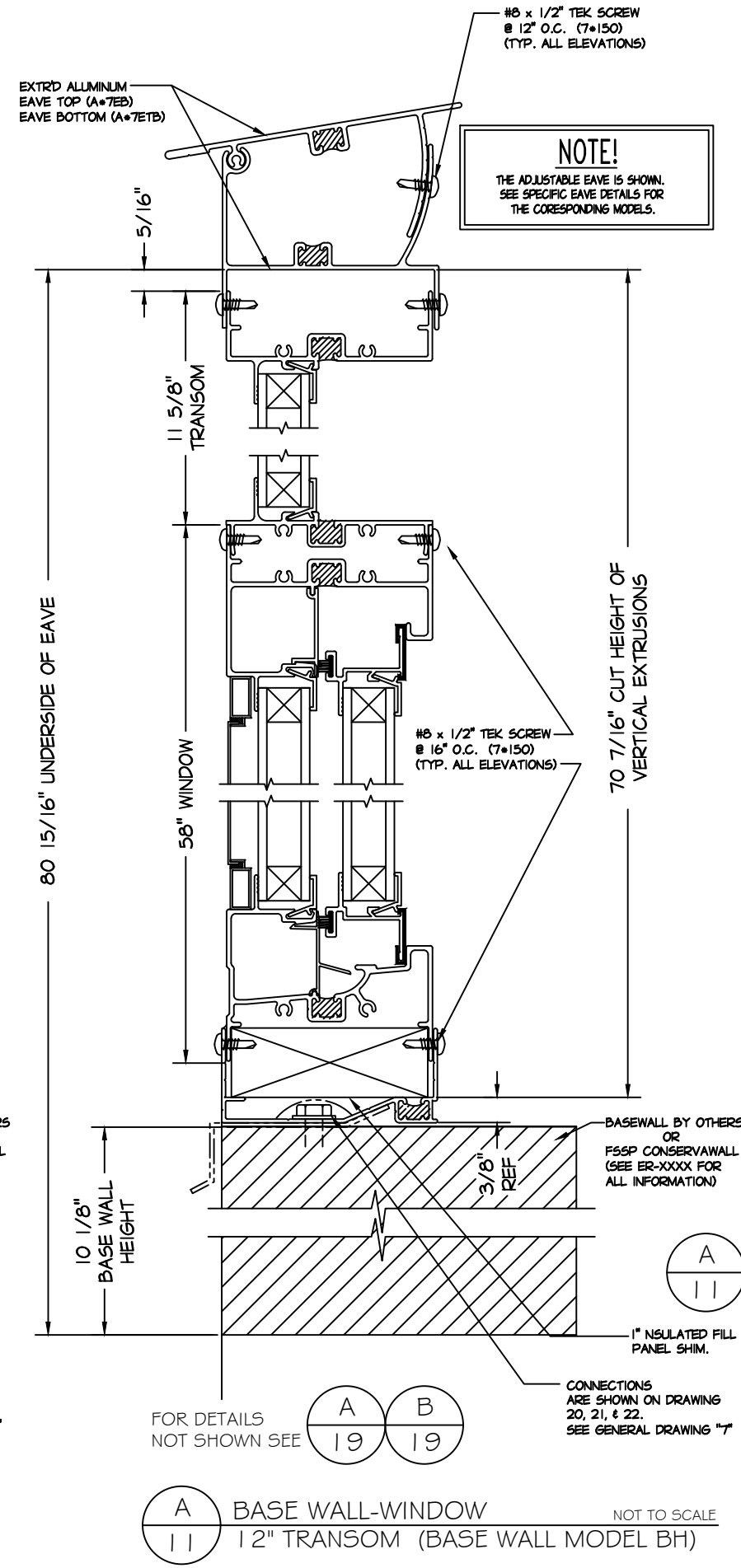
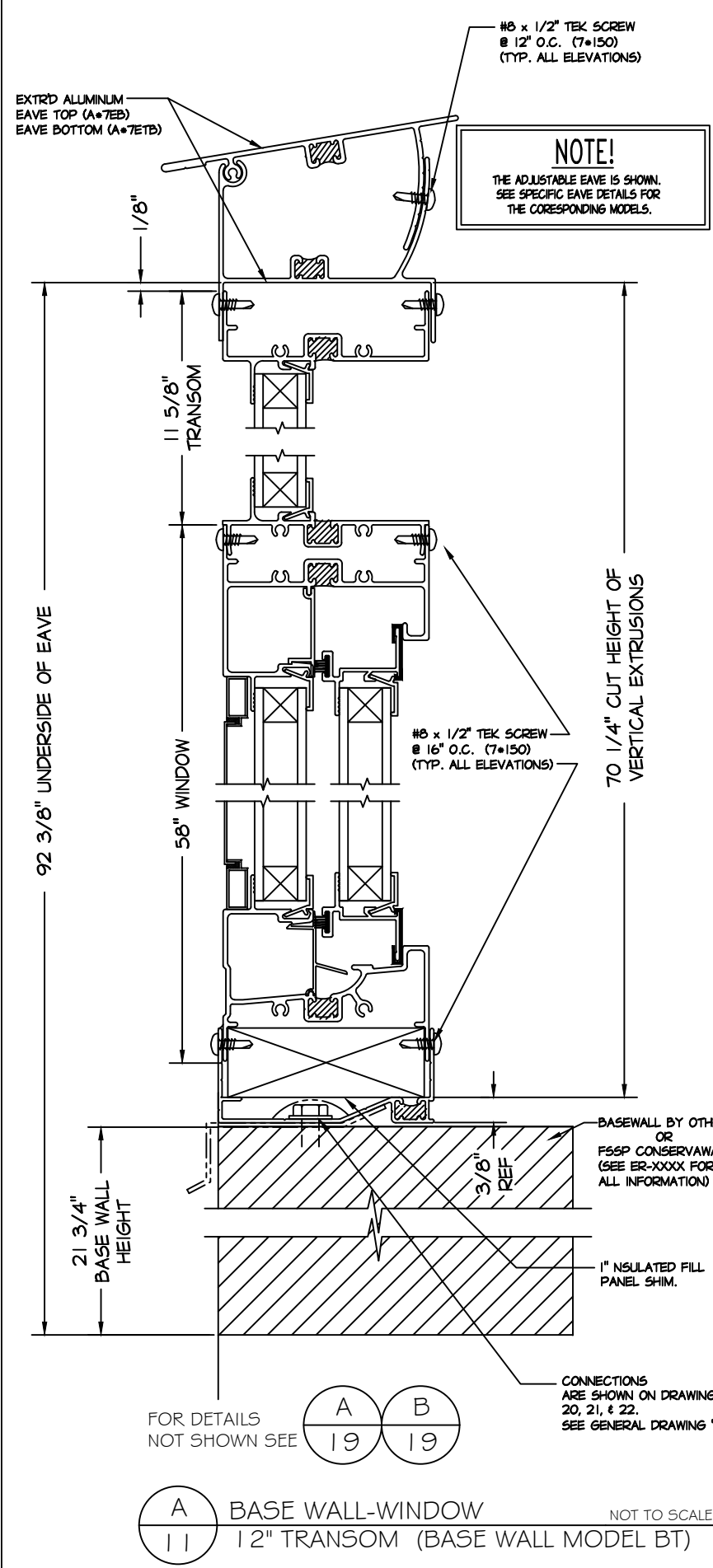
REV. No.	DATE	BY
1	2-18-14	RD
2	12-31-15	RD
3	10-1-18	RD
4	9-24-19	RD
5	7-18-22	RD

REVIEWED BY: AS

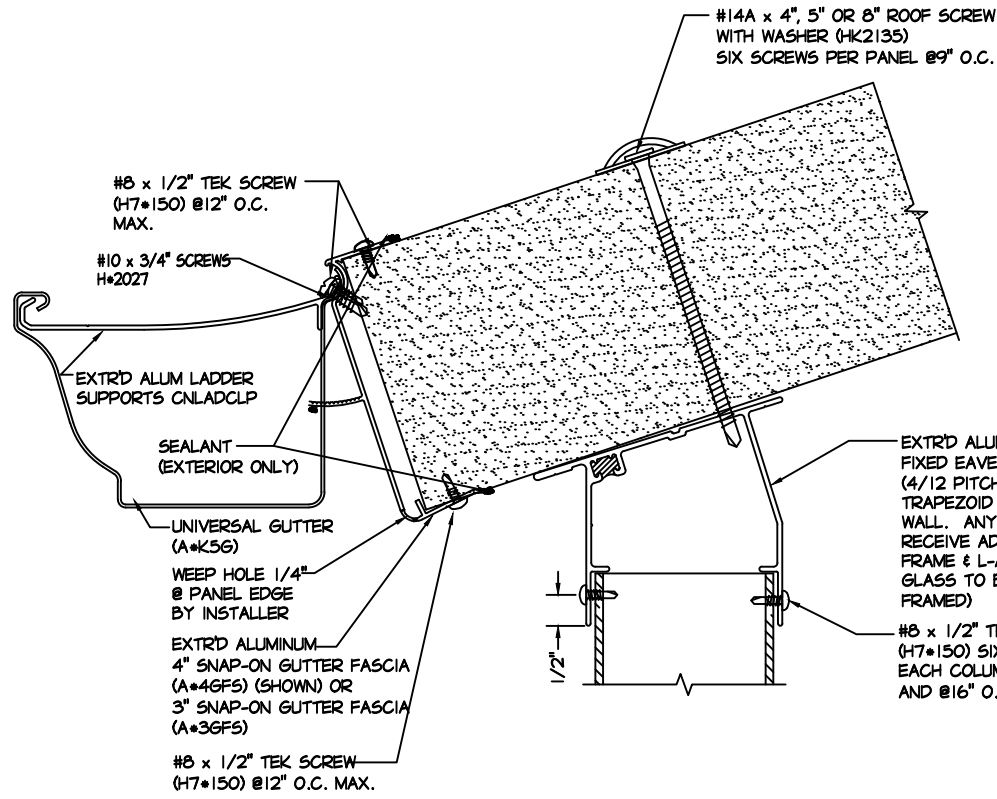
DWG. BY: RD

DATE: 1-10-11

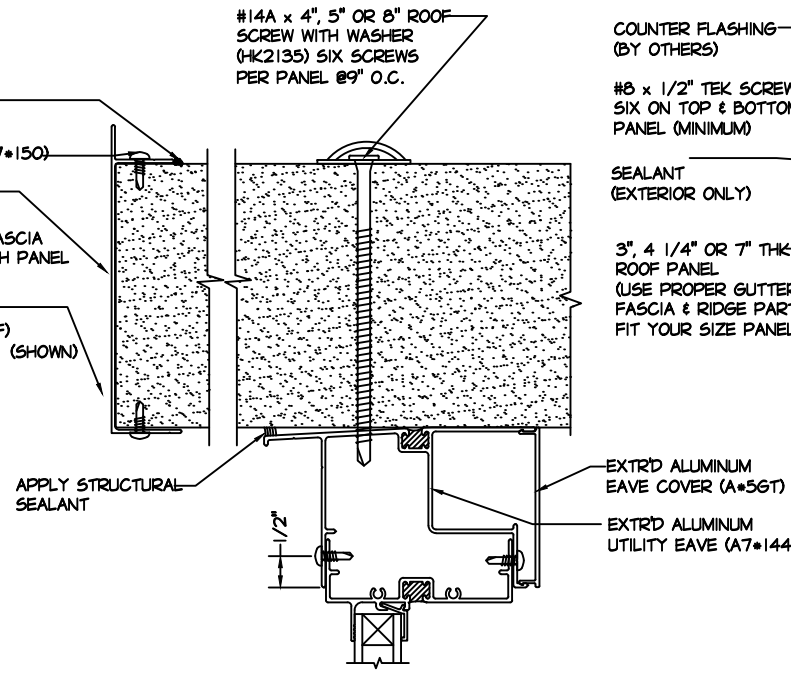
JOB#:
SHADECATH-11



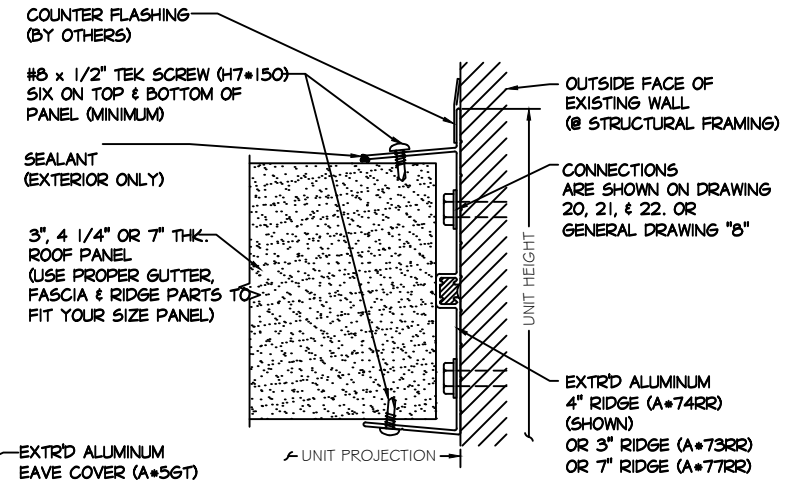
ALUMINUM SKIN ROOF PANELS



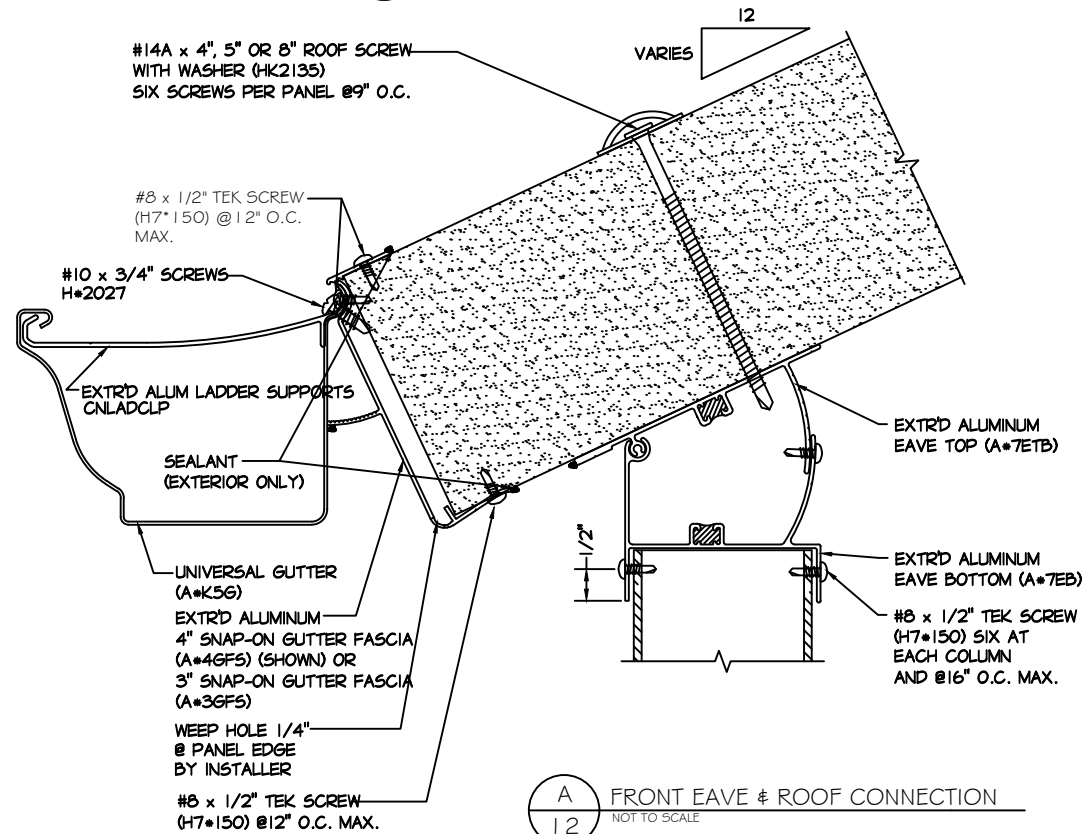
A FRONT EAVE & ROOF CONNECTION
12 NOT TO SCALE



B EAVE FASCIA ON GABLE
12 NOT TO SCALE

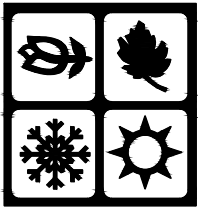


C RIDGE DETAIL
12 NOT TO SCALE



A FRONT EAVE & ROOF CONNECTION
12 NOT TO SCALE

FOUR SEASONS SOLAR PRODUCTS, LLC.
5005 VETERANS MEMORIAL HIGHWAY
HOLBROOK, NEW YORK 11741
DESIGNERS AND MANUFACTURERS
OF FOUR SEASONS SUNROOMS



DRAWING TITLE
ROOF DETAILS
SUN & SHADE CATHEDRAL

REV. No.	DATE	BY
1	2-18-14	RD
2	12-31-15	RD
3	10-1-18	RD
4	9-24-19	RD
5	7-18-22	RD

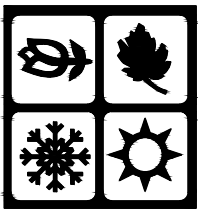
REVIEWED BY: AS

DWG. BY: RD

DATE: 1-10-11

JOB#:
SHADECATH-12

FOUR SEASONS SOLAR PRODUCTS, LLC.
5005 VETERANS MEMORIAL HIGHWAY
HOLBROOK, NEW YORK 11741
DESIGNERS AND MANUFACTURERS
OF FOUR SEASONS SUNROOMS



DRAWING TITLE
ROOF DETAILS
SUN & SHADE CATHEDRAL

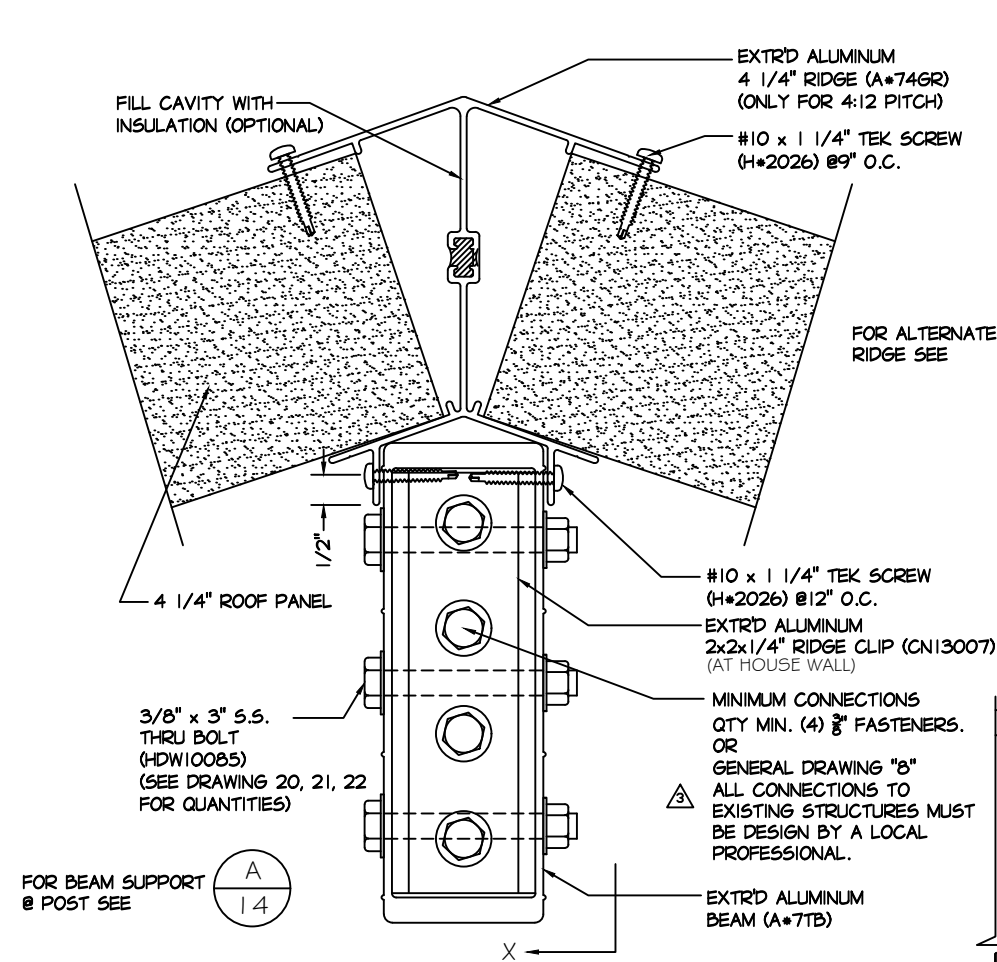
REV. No.	DATE	BY
1	2-18-14	RD
2	12-31-15	RD
3	10-1-18	RD
4	9-24-19	RD
5	7-18-22	RD

REVIEWED BY: AS

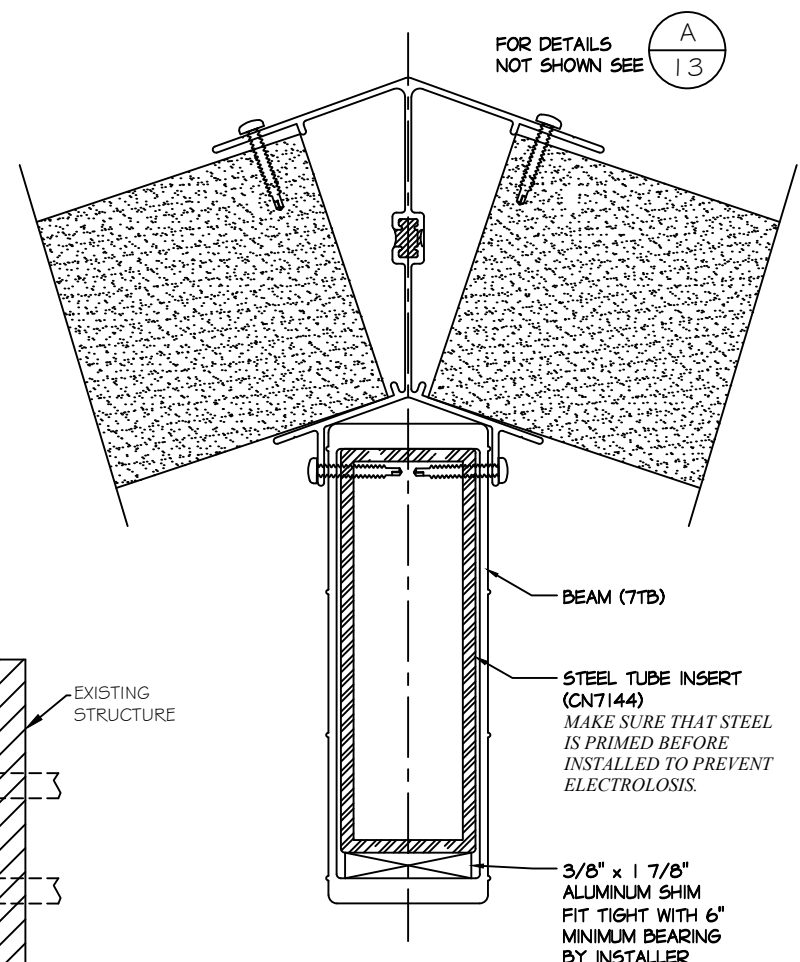
DWG. BY: RD

DATE: 1-10-11

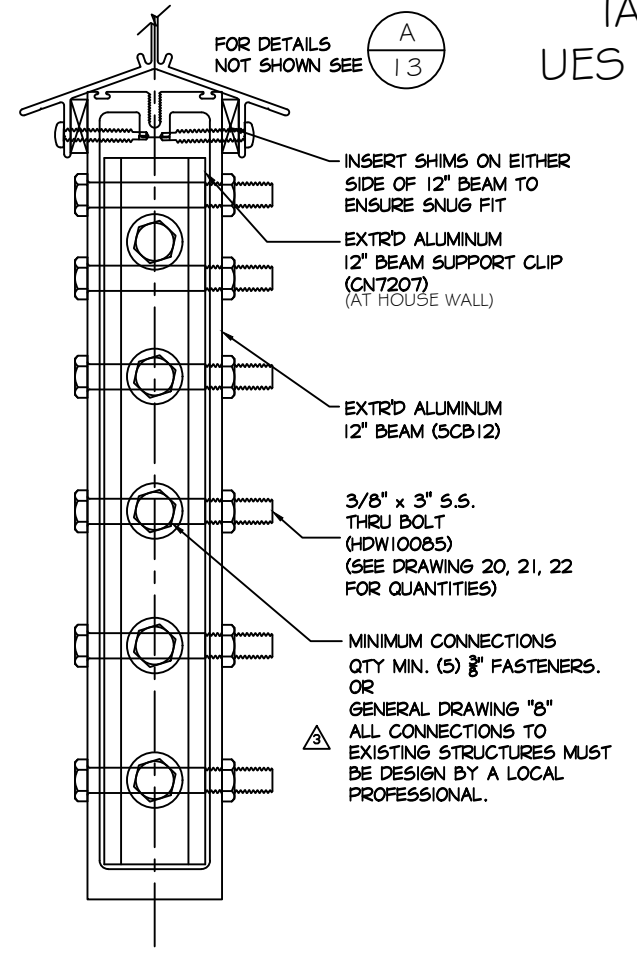
JOB#:
SHADECATH-13



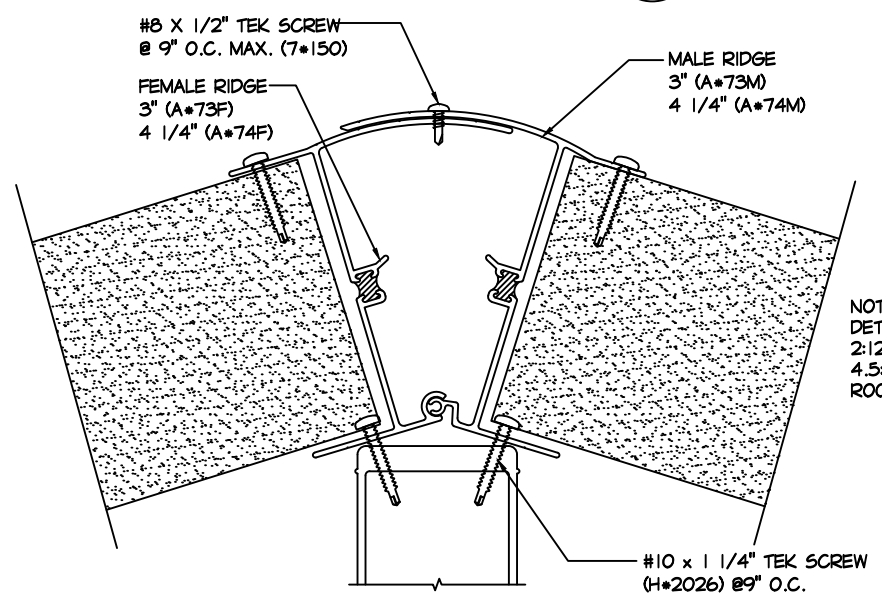
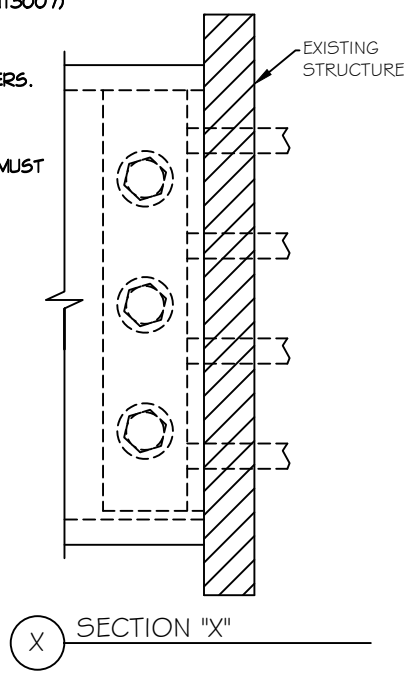
(A) 7" RIDGE BEAM @ EXISTING STRUCTURE
13 NOT TO SCALE



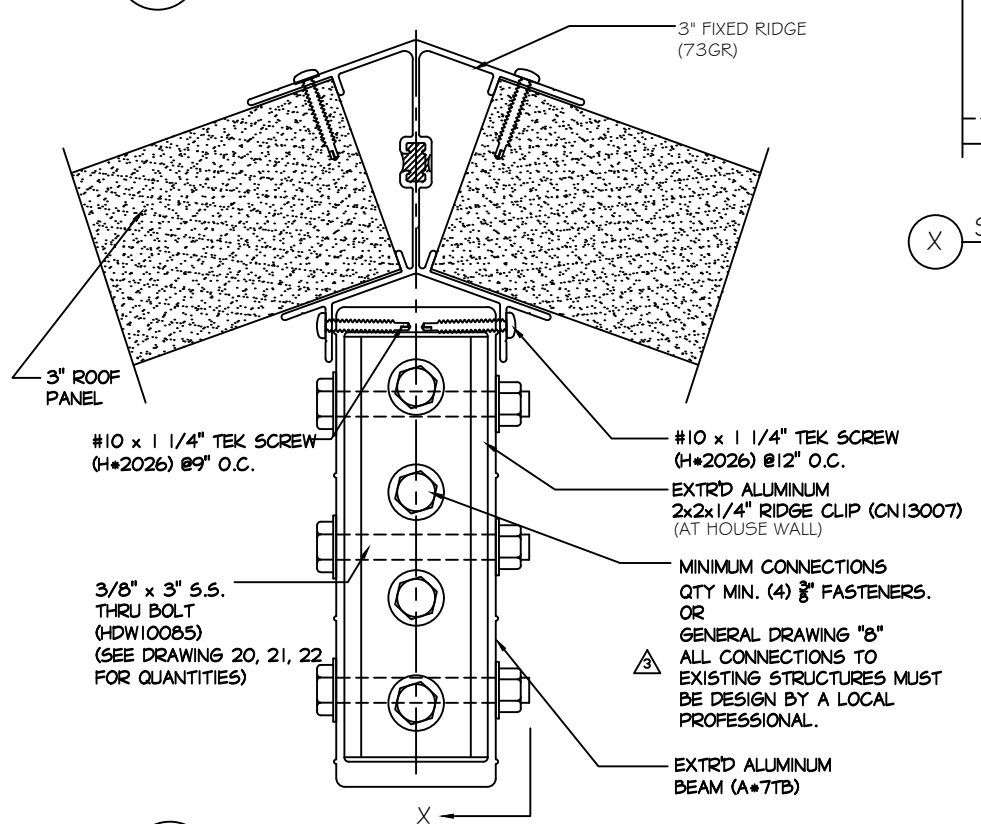
(B) 7" RIDGE BEAM w/STEEL INSERT
13 NOT TO SCALE



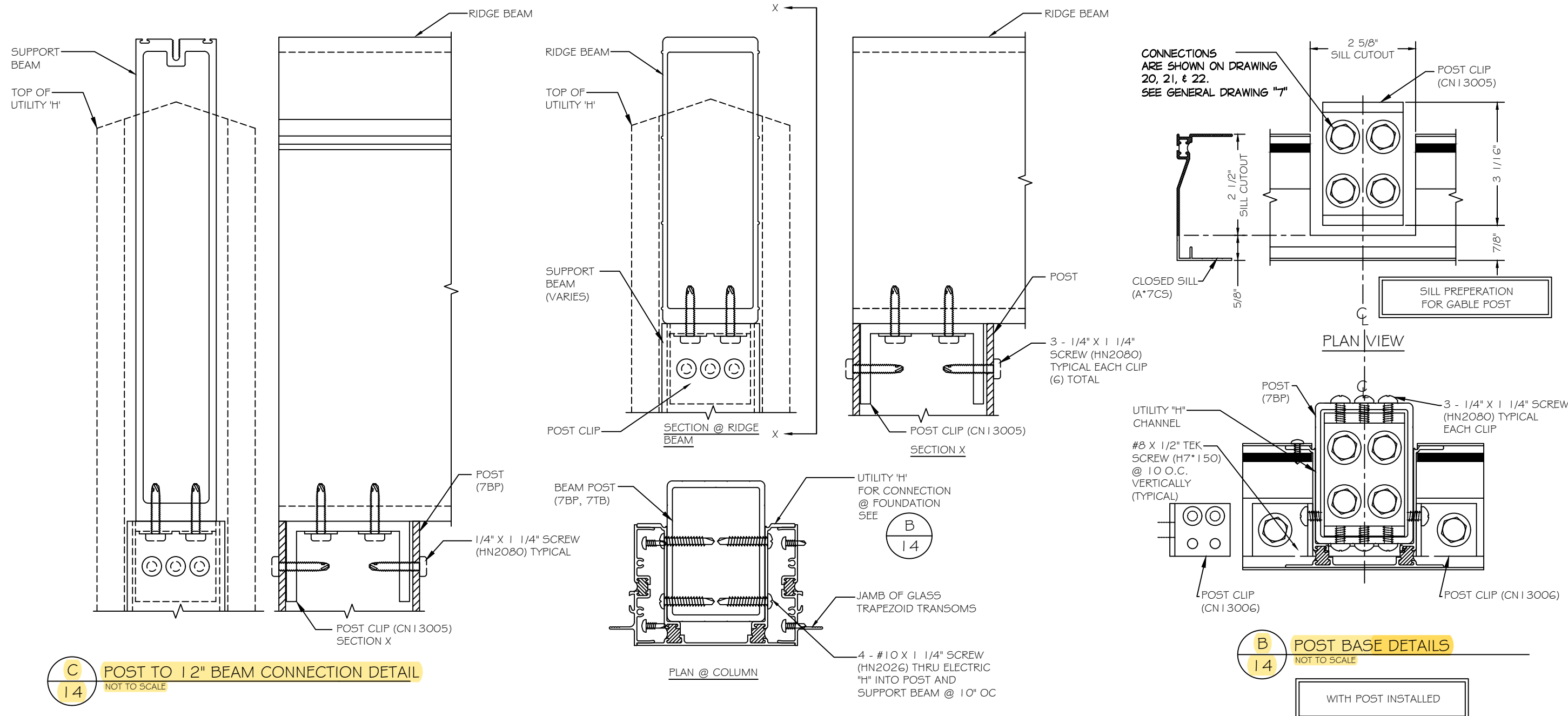
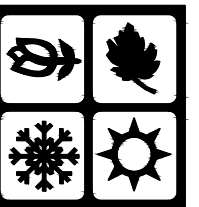
(C) 12" RIDGE BEAM
13 NOT TO SCALE



(D) ALTERNATE RIDGE DETAIL
13 NOT TO SCALE



(A) 7" RIDGE BEAM @ EXISTING STRUCTURE
13 NOT TO SCALE



C
14 POST TO 1 1/2" BEAM CONNECTION DETAIL
NOT TO SCALE

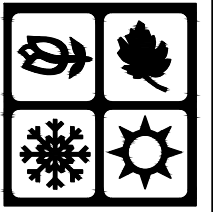
FOR DETAILS NOT SHOWN SEE
A
14

A
14 POST TO 7" BEAM CONNECTION DETAIL
NOT TO SCALE

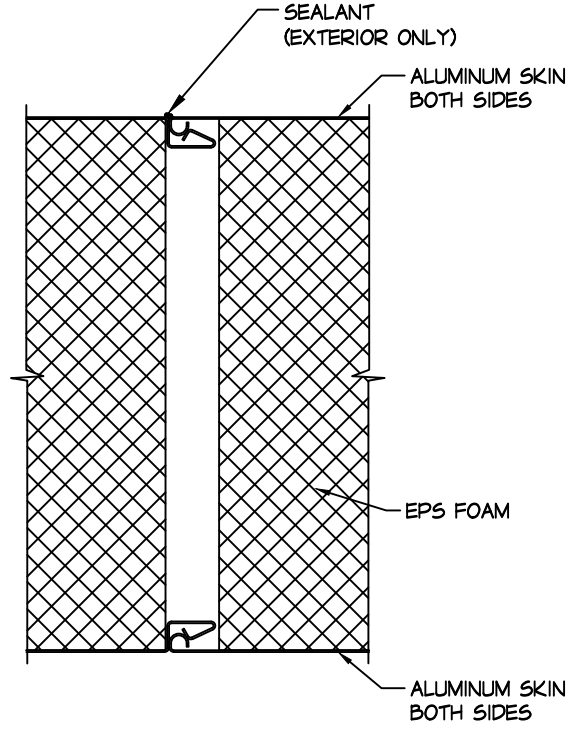
B
14 POST BASE DETAILS
NOT TO SCALE

REV. No.	DATE	BY
1	2-18-14	RD
2	12-31-15	RD
3	10-1-18	RD
4	9-24-19	RD
5	7-18-22	RD

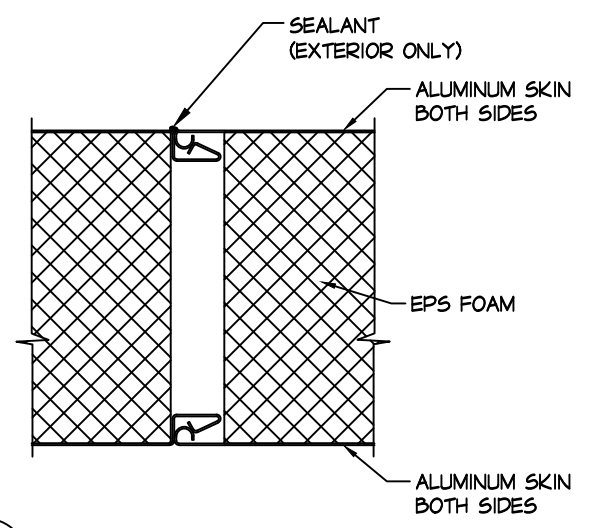
REVIEWED BY: AS
DWG. BY: RD
DATE: 1-10-11
JOB#: SHADECATH-14



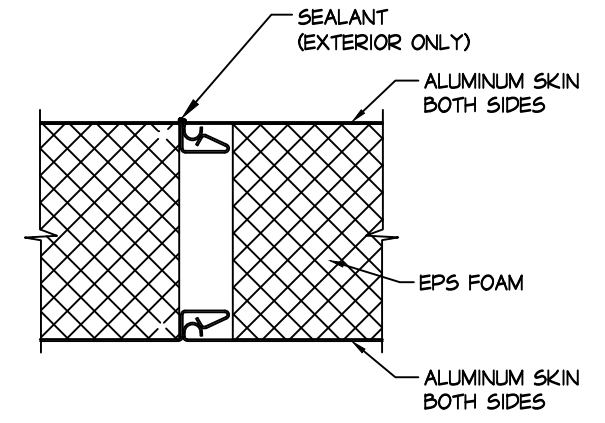
DRAWING TITLE
ROOF DETAILS
SUN & SHADE CATHEDRAL



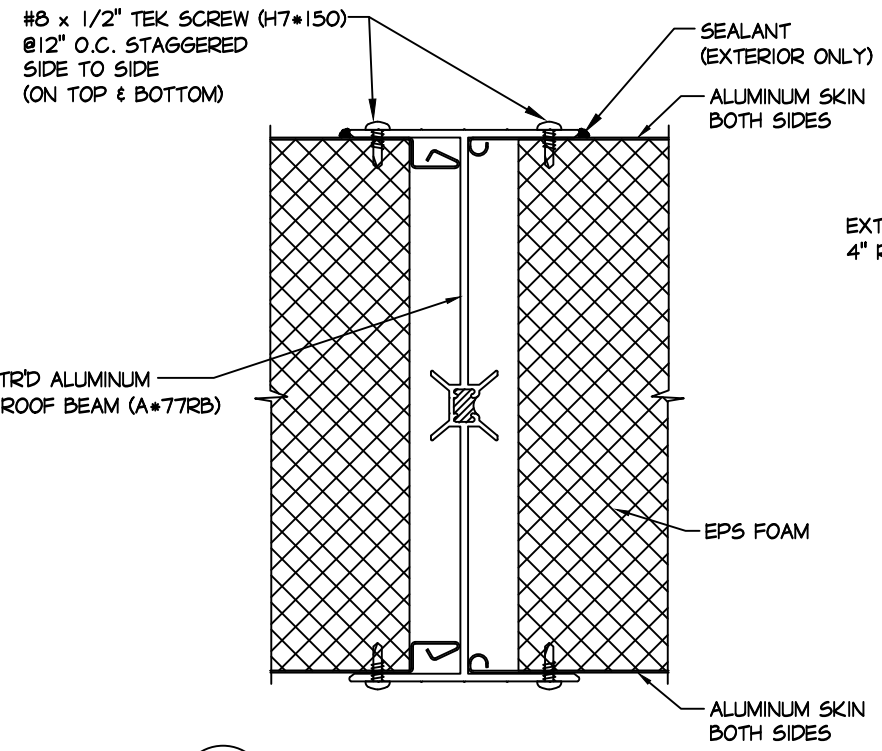
A
15
7" ALUM/ALUM ROOF PANEL W/SNAP LOCK
NOT TO SCALE



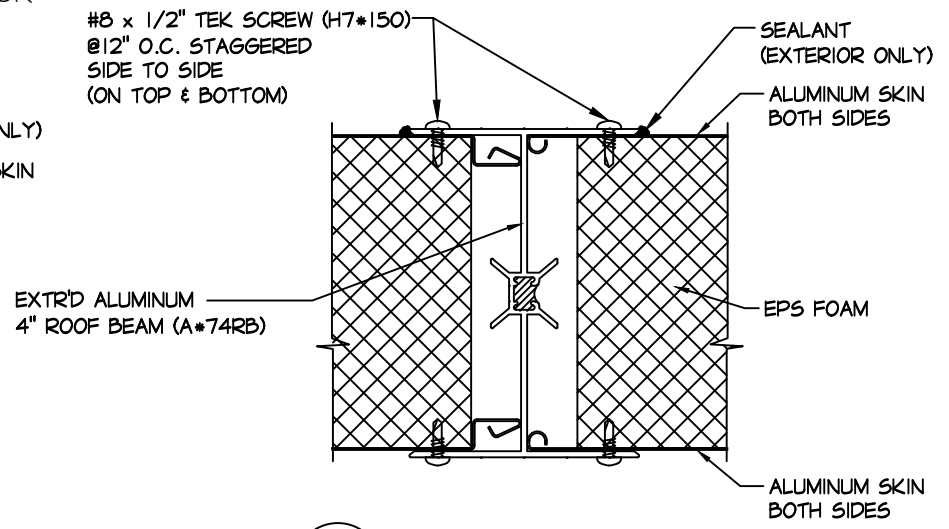
A
15
4-1/4" ALUM/ALUM ROOF PANEL W/SNAP LOCK
NOT TO SCALE



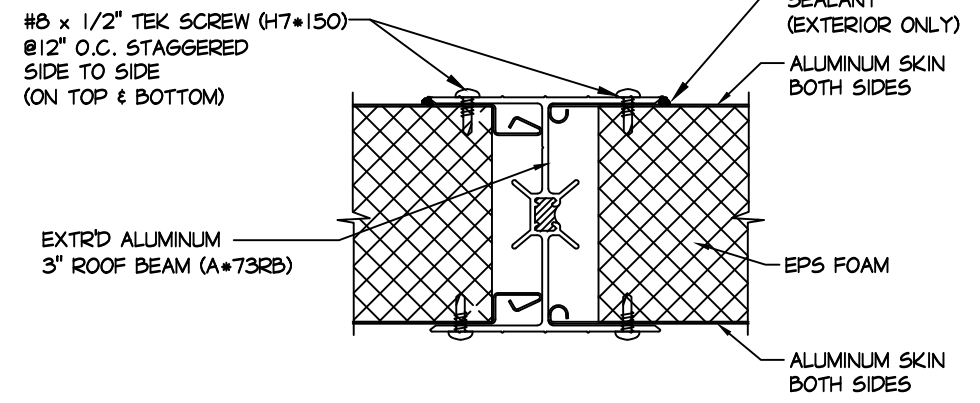
A
15
3" ALUM/ALUM ROOF PANEL W/SNAP LOCK
NOT TO SCALE



A
15
7" ALUM/ALUM ROOF PANEL W/BEAMS
NOT TO SCALE



A
15
4-1/4" ALUM/ALUM ROOF PANEL W BEAMS
NOT TO SCALE



A
15
3" ALUM/ALUM ROOF PANEL WITH BEAMS
NOT TO SCALE

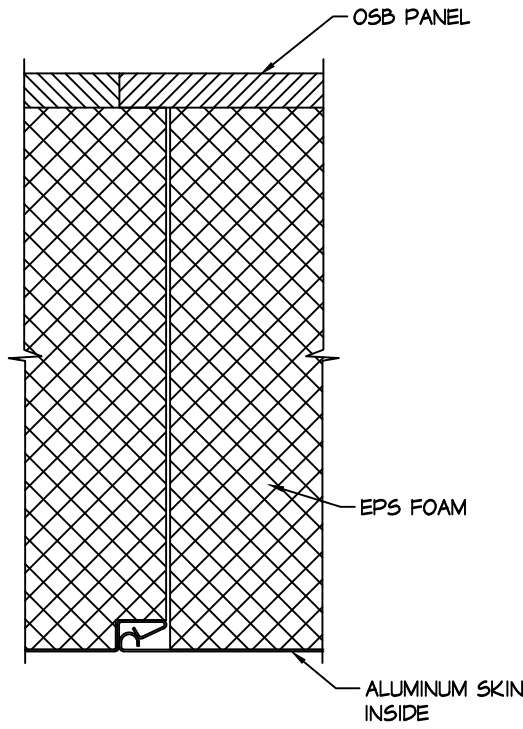
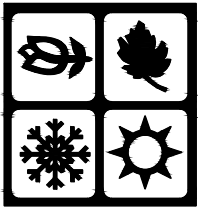
REV. No.	DATE	BY
1	2-18-14	RD
2	12-31-15	RD
3	10-1-18	RD
4	9-24-19	RD
5	7-18-22	RD

REVIEWED BY: AS

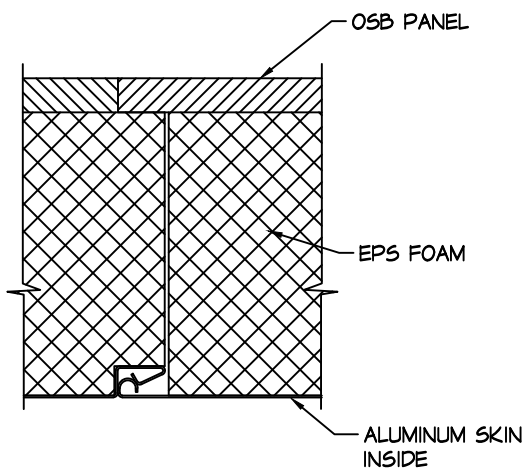
DWG. BY: RD

DATE: 1-10-11

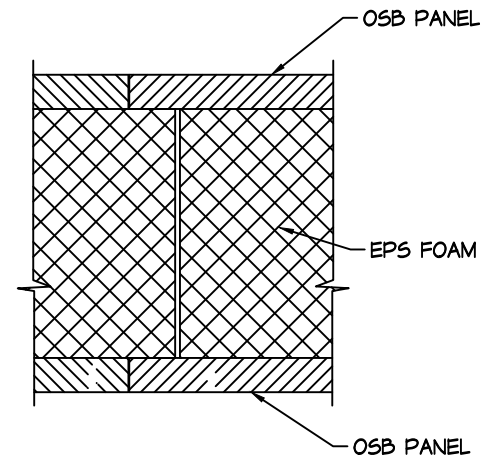
JOB#:
SHADECATH-15



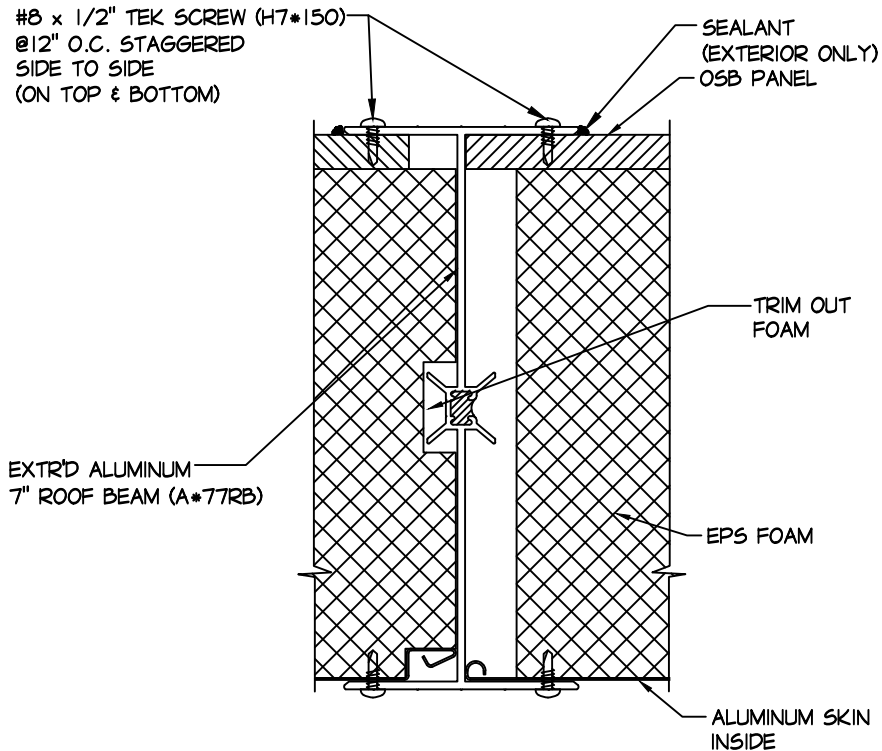
A
16 7" OSB/ALUM ROOF PANEL W/SNAP LOCK
NOT TO SCALE



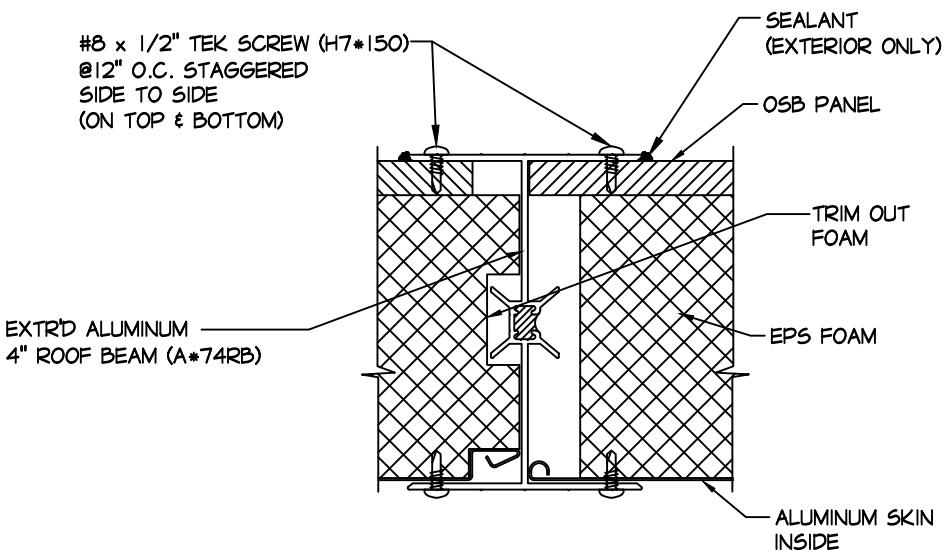
A
16 4-1/4" OSB/ALUM ROOF PANEL W/SNAP LOCK
NOT TO SCALE



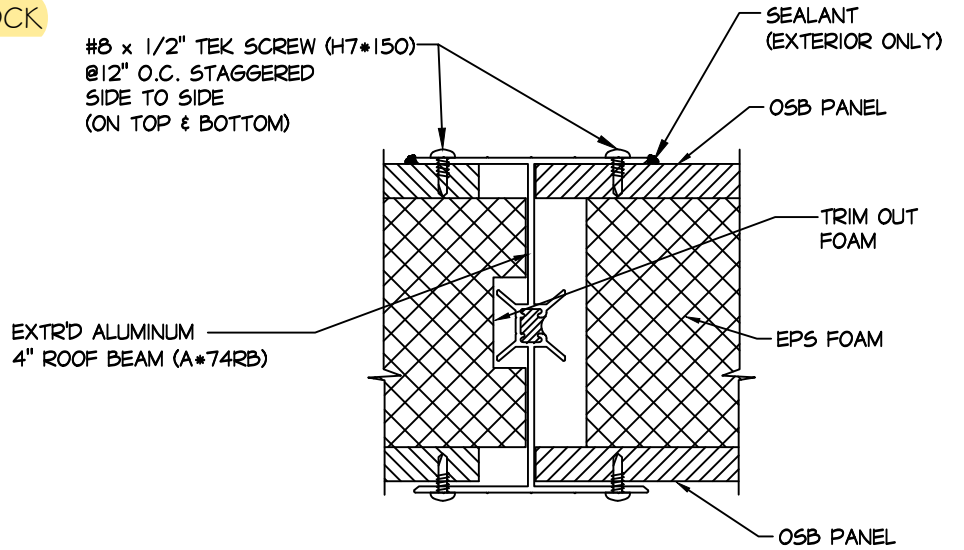
A
16 4-1/4" OSB/OSB ROOF PANEL WO/BEAMS
NOT TO SCALE



A
16 7" OSB/ALUM ROOF PANEL W/BEAMS
NOT TO SCALE



A
16 4-1/4" OSB/ALUM ROOF PANEL W/BEAMS
NOT TO SCALE



A
16 4-1/4" OSB/OSB ROOF PANEL W/BEAMS
NOT TO SCALE

DRAWING TITLE
ROOF DETAILS
SUN & SHADE CATHEDRAL

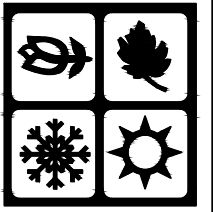
REV. No.	DATE	BY
1	2-18-14	RD
2	12-31-15	RD
3	10-1-18	RD
4	9-24-19	RD
5	7-18-22	RD

REVIEWED BY: AS

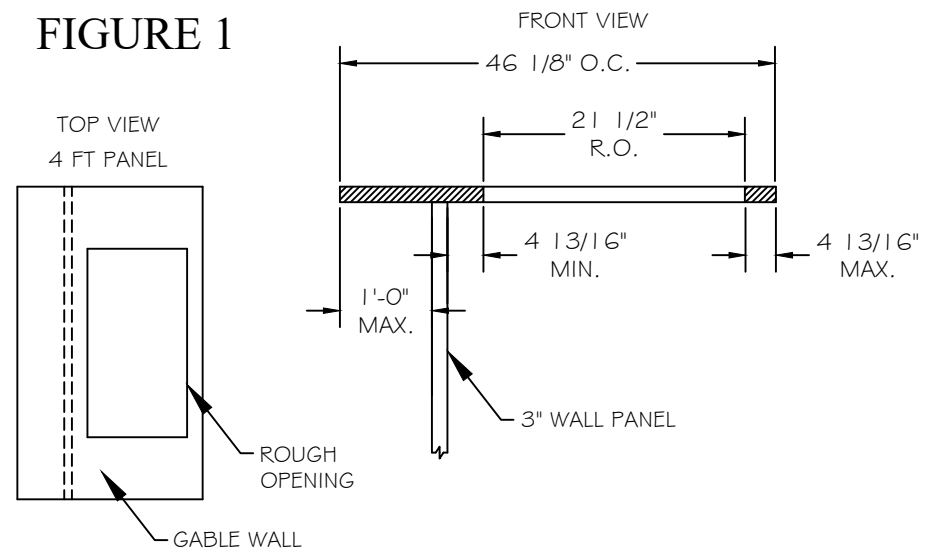
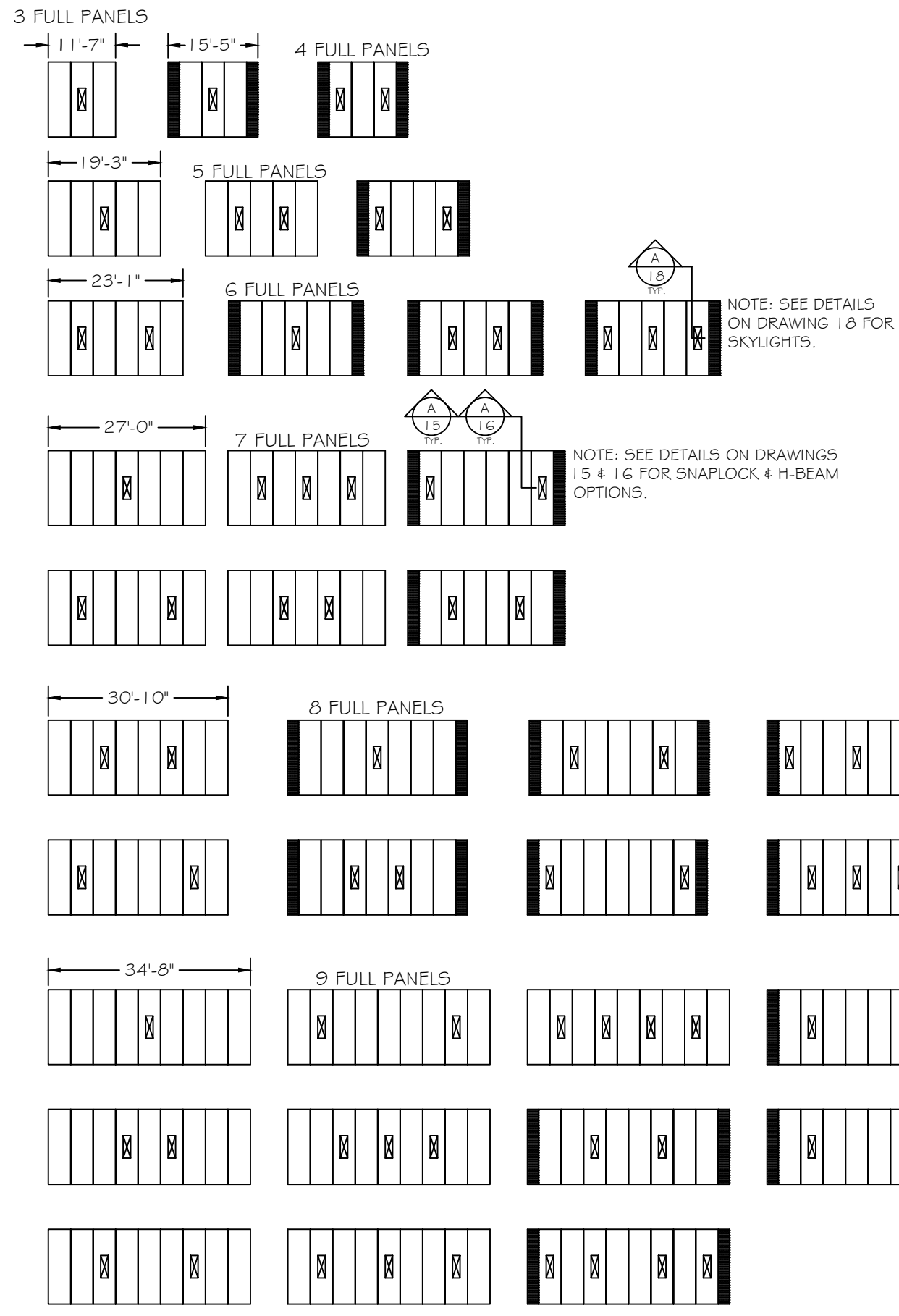
DWG. BY: RD

DATE: 1-10-11

JOB#:
SHADECATH-16

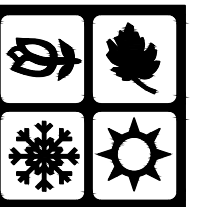


DRAWING TITLE
ROOF VENT LOCATIONS
SUN & SHADE CATHEDRAL



- NOTES:
1. OPENINGS ARE ALLOWED FOR 4'-0" WIDE PANELS ONLY.
 2. SKYLIGHTS CAN ONLY BE CENTERED IF YOU CHOOSE A ROOF LENGTH SHOWN BELOW WHERE FOUR SEASONS SHIPS ALL FULL PANELS.
 3. SKYLIGHTS ARE TO BE CENTERED IN THE ROOF PANEL
 4. SKYLIGHTS CAN NOT BE INSTALLED IN ADJACENT BAYS
 5. NO MORE THAN ONE SKYLIGHT INSTALLED PER ROOF PANEL
 6. SKYLIGHTS MAY BE INSTALLED IN THE TWO GABLE END PANELS ONLY IF THEY ARE FULL PANELS AND THERE IS A MAXIMUM OVERHANG OF 12" OR IF THERE IS NO GABLE END WALL (SEE FIGURE 1).
 7. DIMENSIONS SHOWN ARE ACTUAL ROOF LENGTHS. YOU MUST SUBTRACT THE OVERHANG BY 2 TO DETERMINE THE LENGTH OF THE FRONT WALL.
 8. HALF PANELS TO BE CREATED IN FIELD BY CUTTING FULL PANELS.
 9. OVERALL ROOF CAPACITY MUST BE REDUCED BY 25% WHEN USING ROOF VENTS.

REV. No.	DATE	BY
1	2-16-14	RD
2	12-31-15	RD
3	10-1-18	RD
4	9-24-19	RD
5	7-18-22	RD
REVIEWED BY: AS		
DWG. BY: RD		
DATE: 1-10-11		
JOB#: SHADECATH-17		
17 OF 22		



REV. No.	DATE	BY
1	2-16-14	RD
2	12-31-15	RD
3	10-1-18	RD
4	9-24-19	RD
5	7-18-22	RD

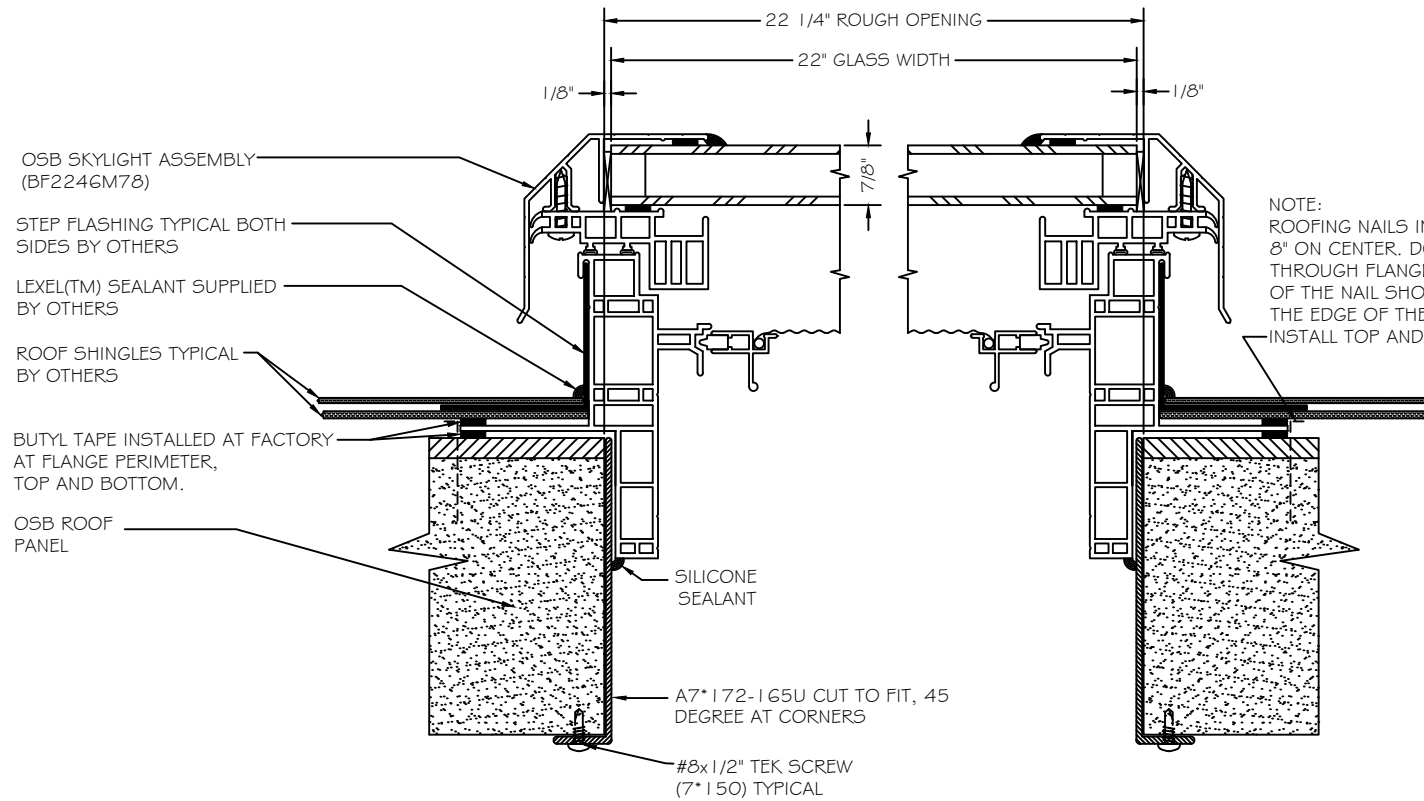
REVIEWED BY: AS

DWG. BY: RD

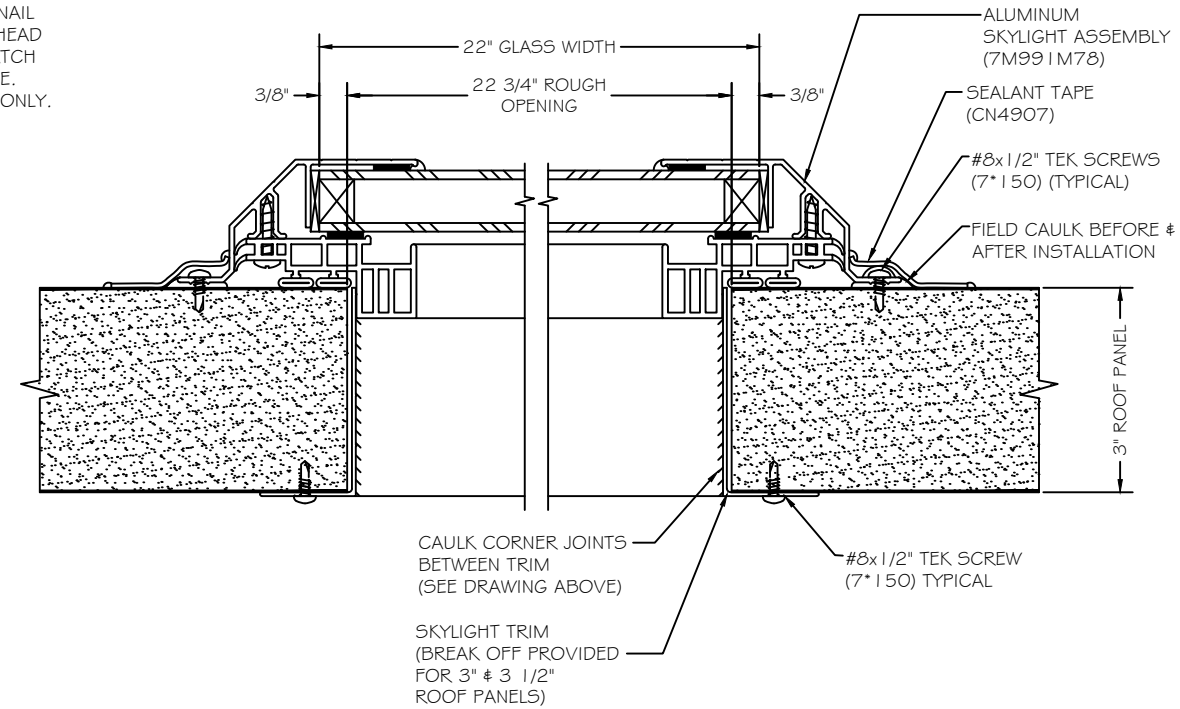
DATE: 1-10-11

JOB#:

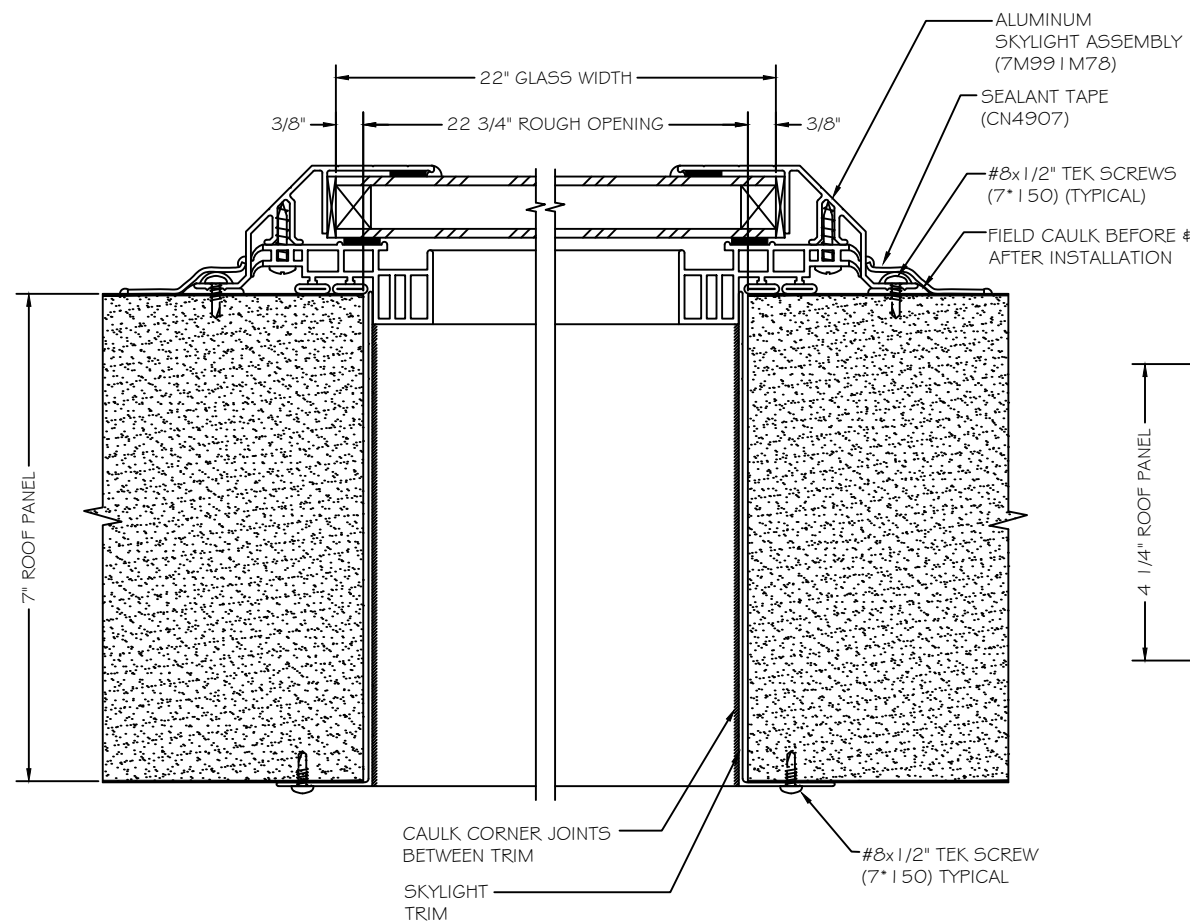
SHADECATH-18



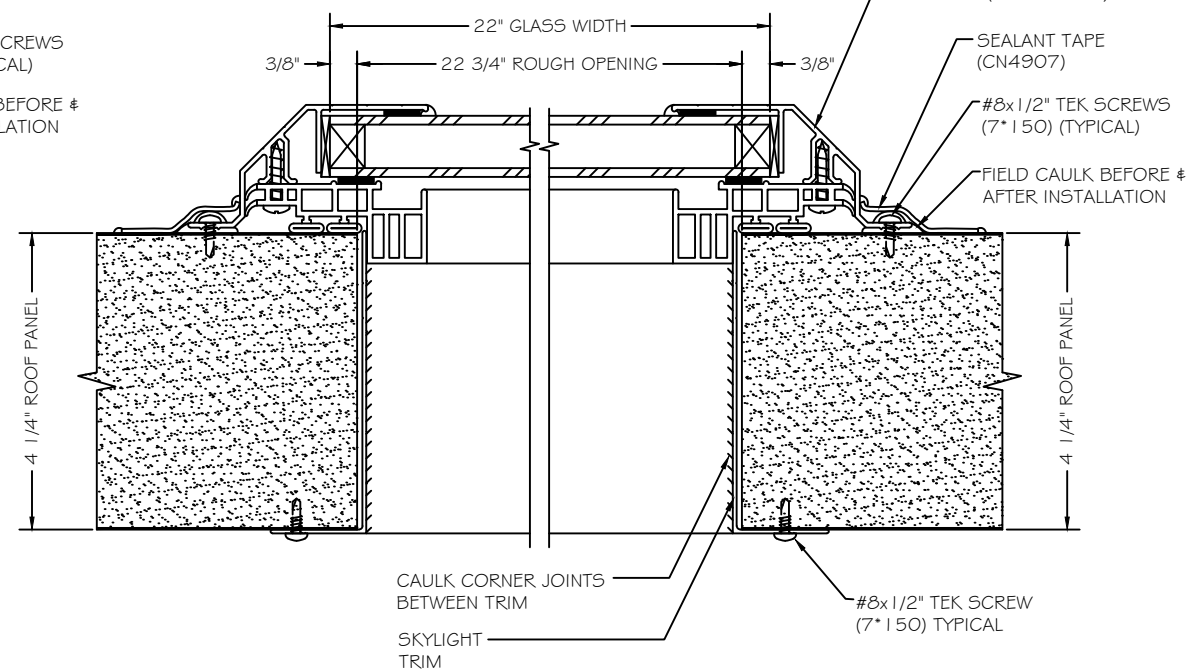
A
18 SKYLIGHT DETAIL w/ 4" OSB ROOF PANEL
NOT TO SCALE



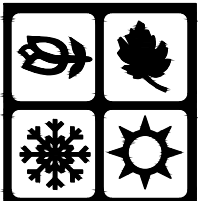
A
18 SKYLIGHT DETAIL w/ 3" ALUMINUM ROOF PANEL
NOT TO SCALE



A
18 SKYLIGHT DETAIL w/ 7" ALUMINUM ROOF PANEL
NOT TO SCALE



A
18 SKYLIGHT DETAIL w/ 4" ALUMINUM ROOF PANEL
NOT TO SCALE



DRAWING TITLE
WALL DETAILS
SUN & SHADE CATHEDRAL

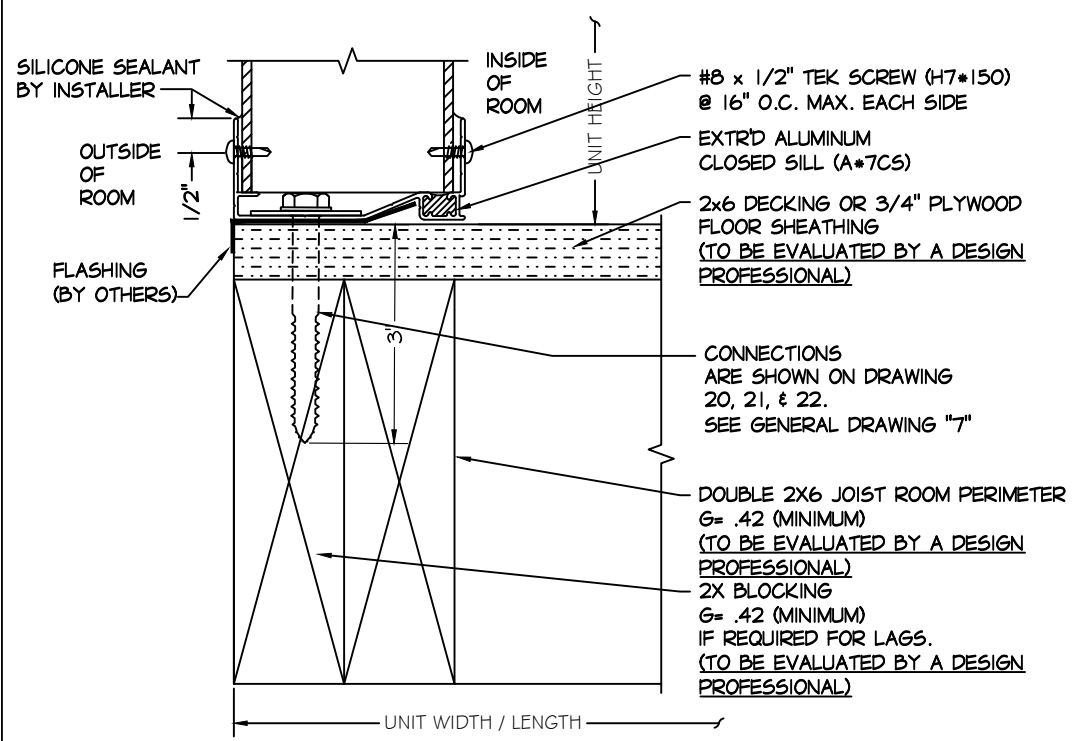
REV. No.	DATE	BY
1	2-18-14	RD
2	12-31-15	RD
3	10-1-18	RD
4	9-24-19	RD
5	7-18-22	RD

REVIEWED BY: AS

DWG. BY: RD

DATE: 1-10-11

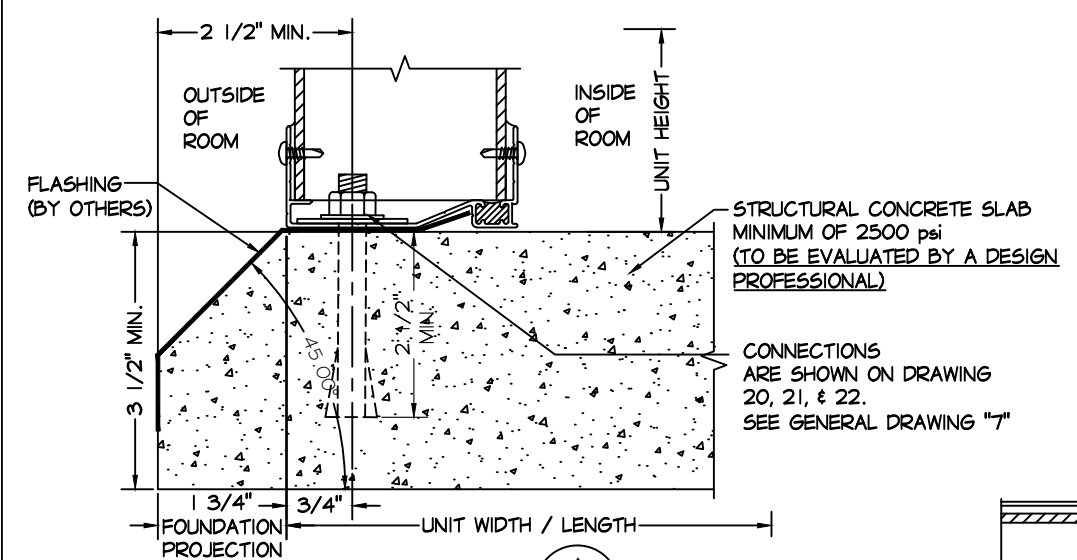
JOB#:
SHADECATH-19



NOTE: 1. SEE **B** FOR ALTERNATE DETAILS

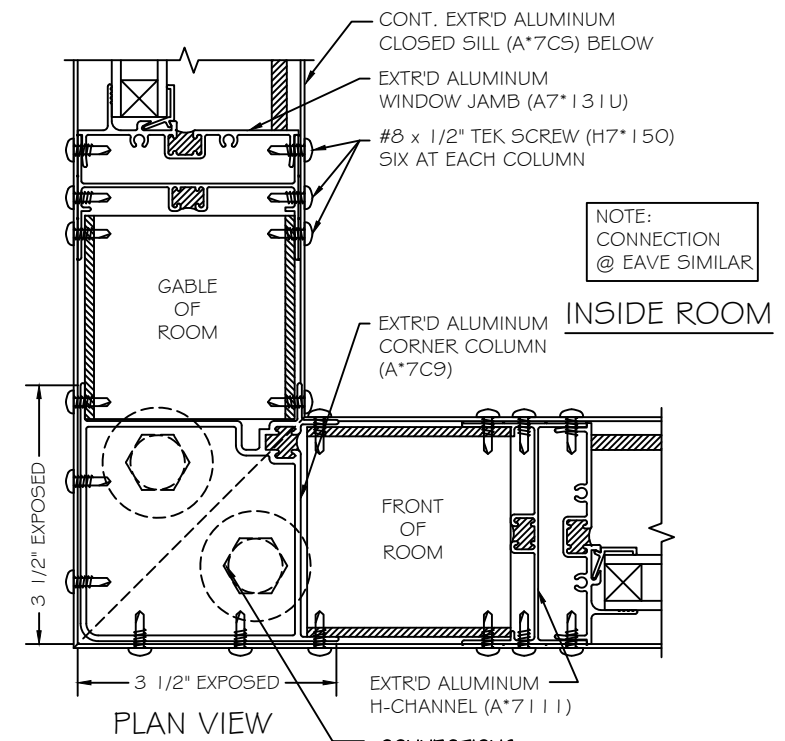
2. CONNECTION TO FOUR SEASONS "CONSERVA DECK" SAME AS SHOWN

A SILL TO DECK CONNECTION DETAIL
NOT TO SCALE



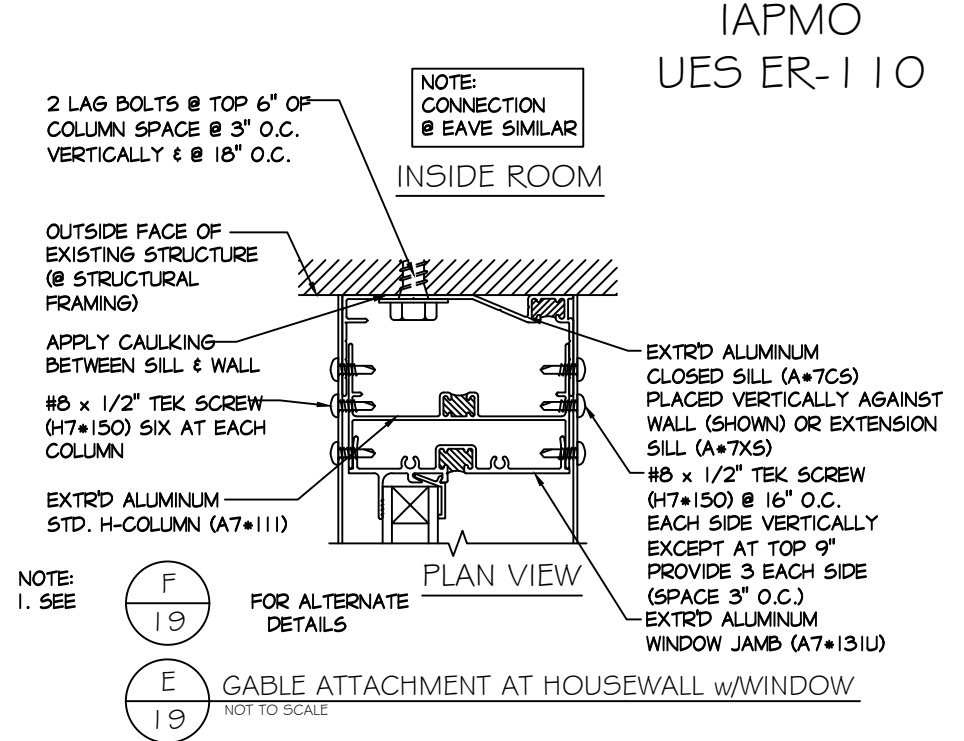
FOR DETAILS NOT SHOWN SEE **A**

B SILL TO CONCRETE SLAB CONNECTION DETAIL
NOT TO SCALE



NOTE: CONNECTION @ EAVE SIMILAR

C CORNER POST CONNECTION AT SILL
NOT TO SCALE

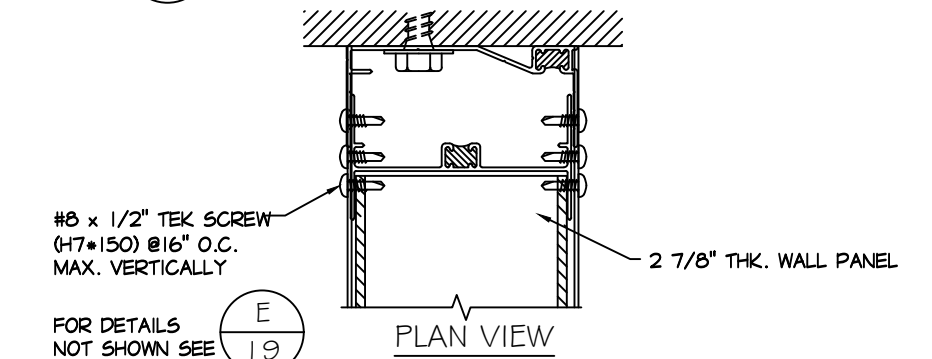


NOTE: CONNECTION @ EAVE SIMILAR

NOTE: 1. SEE

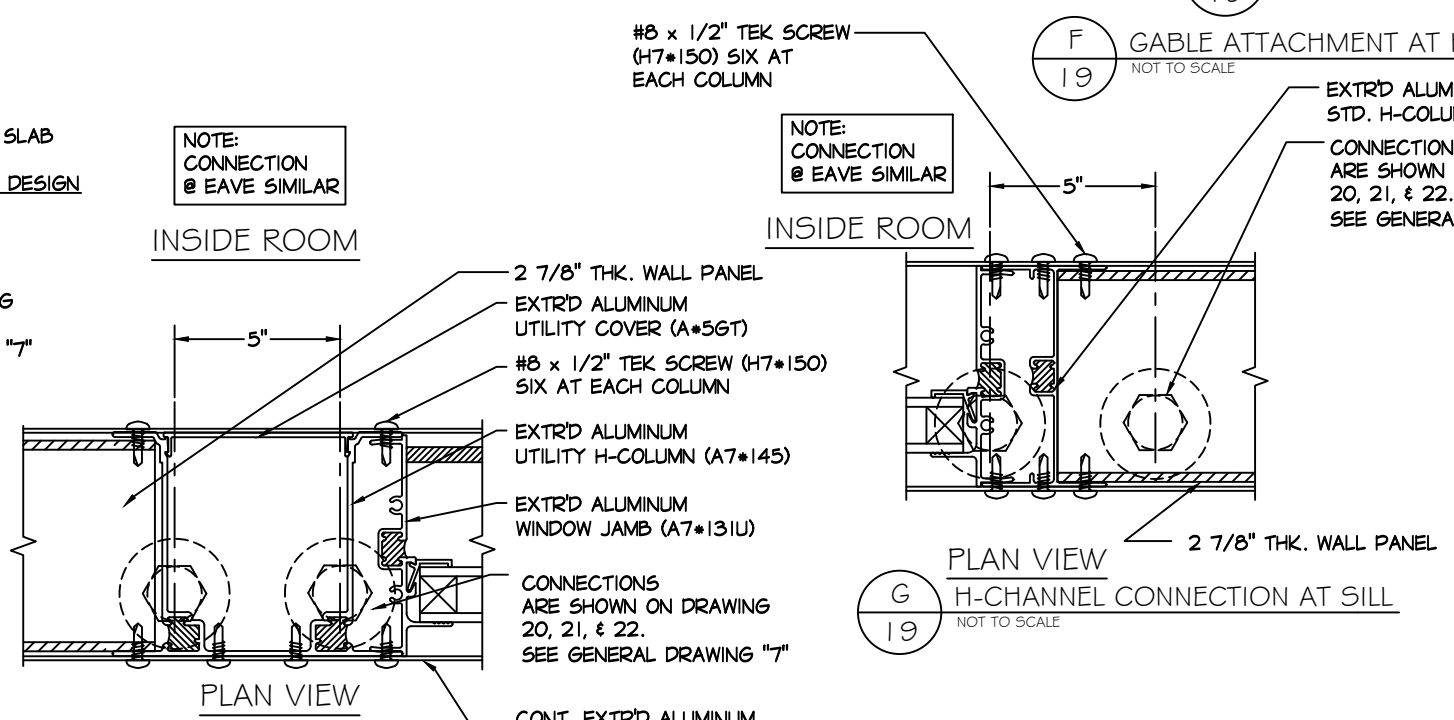
F FOR ALTERNATE DETAILS

E GABLE ATTACHMENT AT HOUSEWALL w/WINDOW
NOT TO SCALE



FOR DETAILS NOT SHOWN SEE **E**

F GABLE ATTACHMENT AT HOUSEWALL w/SOLID PANEL
NOT TO SCALE



NOTE: CONNECTION @ EAVE SIMILAR

D UTILITY H-CHANNEL CONNECTION AT SILL
NOT TO SCALE

G H-CHANNEL CONNECTION AT SILL
NOT TO SCALE

FOUR SEASONS SUNROOMS 230 SUN & SHADE CATHEDRAL DESIGN
 V3s 90 MPH WIND LOAD EXP. B 2012 IRC
 Vult 118 MPH WIND LOAD EXP. B (2012) IBC, 2015/2018/2021 IBC/IRC & 2019/2022 CBC
 ROOF PITCH : 4 ON 12

IAPMO
UES ER-110

LOAD: 20 PSF / V3s 90 MPH WIND LOAD EXP. B 2012 IRC

LOAD: 20 PSF / Vult 118 MPH WIND LOAD EXP. B (2012) IBC, (2015) (2018) (2021) IBC/IRC & (2019)/(2022) CBC

WALL & ROOF FRAMING CONFIGURATION							
PROJECTION, FT.	FRONT WALL LENGTH, FT.						
	12'	14'	16'	18'	20'	22'	24'
10	WA-P1-C1-R1	WA-P1-C1-R1	WA-P1-C1-R1	WA-P1-C1-R1	WA-P1-C1-R1	WA-P1-C1-R1	WA-P2-C1-R1
11	WA-P1-C1-R1	WA-P1-C1-R1	WA-P1-C1-R1	WA-P1-C1-R1	WA-P1-C1-R1	WA-P1-C1-R1	WA-P2-C1-R1
12	WA-P1-C1-R1	WA-P1-C1-R1	WA-P1-C1-R1	WA-P1-C1-R1	WA-P1-C1-R1	WA-P1-C1-R1	WA-P2-C1-R1
13	WA-P1-C1-R1	WA-P1-C1-R1	WA-P1-C1-R1	WA-P1-C1-R1	WA-P1-C1-R1	WA-P1-C1-R1	WA-P2-C1-R1
14	WA-P1-C1-R1	WA-P1-C1-R1	WA-P1-C1-R1	WA-P1-C1-R1	WA-P1-C1-R1	WA-P1-C1-R2	WA-P2-C1-R1
16	WA-P1-C1-R1	WA-P1-C1-R1	WA-P1-C1-R2	WA-P1-C1-R2	WA-P1-C1-R2	WA-P1-C1-R2	WA-P2-C1-R3
18	WA-P1-C1-R2	WA-P1-C1-R2	WA-P1-C1-R2	WA-P1-C1-R3	WA-P1-C1-R3	WA-P1-C1-R3	WA-P2-C1-R3
20	WA-P1-C1-R3	WA-P1-C1-R3	WA-P1-C1-R3	WA-P1-C1-R3	WA-P1-C1-R3	WA-P1-C1-R3	WA-P2-C1-R3
22	WA-P1-C1-R3	WA-P1-C1-R3	WA-P1-C1-R3	WA-P1-C1-R3	WA-P1-C1-R3	WA-P1-C1-R3	WA-P2-C1-R4
24	WA-P1-C1-R3	WA-P1-C1-R3	WA-P1-C1-R3	WA-P1-C1-R4	WA-P1-C1-R4	WA-P1-C1-R4	WA-P2-C1-R4

LOAD: 40 PSF / V3s 90 MPH WIND LOAD EXP. B 2012 IRC

LOAD: 40 PSF / Vult 118 MPH WIND LOAD EXP. B (2012) IBC, (2015) (2018) (2021) IBC/IRC & (2019)/(2022) CBC

WALL & ROOF FRAMING CONFIGURATION							
PROJECTION, FT.	FRONT WALL LENGTH, FT.						
	12'	14'	16'	18'	20'	22'	24'
10	WA-P1-C1-R1	WA-P1-C1-R1	WA-P1-C1-R1	WA-P2-C1-R1	WA-P3-C1-R1	WA-P4-C1-R1	WA-P5-C1-R1
11	WA-P1-C1-R1	WA-P1-C1-R1	WA-P1-C1-R1	WA-P2-C1-R1	WA-P3-C1-R1	WA-P4-C1-R1	WA-P5-C1-R1
12	WA-P1-C1-R1	WA-P1-C1-R1	WA-P1-C1-R1	WA-P2-C1-R1	WA-P3-C1-R2	WA-P4-C1-R2	WA-P5-C1-R2
13	WA-P1-C1-R1	WA-P1-C1-R1	WA-P1-C1-R2	WA-P2-C1-R2	WA-P3-C1-R2	WA-P4-C1-R2	WA-P5-C1-R2
14	WA-P1-C1-R1	WA-P1-C1-R2	WA-P1-C1-R2	WA-P2-C1-R2	WA-P3-C1-R3	WA-P4-C1-R3	WA-P5-C1-R3
16	WA-P1-C1-R2	WA-P1-C1-R3	WA-P1-C1-R3	WA-P2-C1-R3	WA-P3-C1-R3	WA-P4-C1-R3	WA-P5-C1-R3
18	WA-P1-C1-R3	WA-P1-C1-R3	WA-P1-C1-R3	WA-P2-C1-R3	WA-P3-C1-R3	WA-P4-C1-R3	WA-P5-C1-R4
20	WA-P1-C1-R3	WA-P1-C1-R3	WA-P1-C1-R3	WA-P2-C1-R4	WA-P3-C1-R4	WA-P4-C1-R4	WA-P5-C1-R5
22	WA-P1-C1-R3	WA-P1-C1-R4	WA-P1-C1-R4	WA-P2-C1-R4	WA-P3-C1-R5	WA-P4-C1-R5	WA-P5-C1-R5
24	WA-P1-C1-R4	WA-P1-C1-R4	WA-P1-C1-R4	WA-P2-C1-R5	WA-P3-C1-R5	WA-P4-C1-R5	WA-P5-C1-R5

LOAD: 60 PSF / V3s 90 MPH WIND LOAD EXP. B 2012 IRC

LOAD: 60 PSF / Vult 118 MPH WIND LOAD EXP. B (2012) IBC, (2015) (2018) (2021) IBC/IRC & (2019)/(2022) CBC

WALL & ROOF FRAMING CONFIGURATION							
PROJECTION, FT.	FRONT WALL LENGTH, FT.						
	12'	14'	16'	18'	20'	22'	24'
10	WA-P1-C1-R1	WA-P1-C1-R1	WA-P2-C1-R1	WA-P4-C1-R1	WA-P5-C1-R1	WB-P6-C1-R1	WB-P6-C1-R2
11	WA-P1-C1-R1	WA-P1-C1-R1	WA-P2-C1-R1	WA-P4-C1-R2	WA-P5-C1-R2	WB-P6-C1-R3	WB-P6-C1-R3
12	WA-P1-C1-R1	WA-P1-C1-R2	WA-P2-C1-R2	WA-P4-C1-R3	WA-P5-C1-R3	WB-P6-C1-R3	WB-P6-C1-R3
13	WA-P1-C1-R2	WA-P1-C1-R2	WA-P2-C1-R3	WA-P4-C1-R3	WA-P5-C1-R3	WB-P6-C1-R3	WB-P6-C1-R3
14	WA-P1-C1-R2	WA-P1-C1-R3	WA-P2-C1-R3	WA-P4-C1-R3	WA-P5-C1-R3	WB-P6-C1-R3	WB-P6-C1-R3
16	WA-P1-C1-R3	WA-P1-C1-R3	WA-P2-C1-R3	WA-P4-C1-R3	WA-P5-C1-R4	WB-P6-C1-R4	WB-P6-C1-R4
18	WA-P1-C1-R3	WA-P1-C1-R3	WA-P2-C1-R4	WA-P4-C1-R4	WA-P5-C1-R5	WB-P6-C1-R5	WB-P6-C1-R5
20	WA-P1-C1-R3	WA-P1-C1-R4	WA-P2-C1-R4	WA-P4-C1-R5	WA-P5-C1-R5	WB-P6-C1-R5	WB-P6-C1-R5
22	WA-P1-C1-R4	WA-P1-C1-R5	WA-P2-C1-R5	WA-P4-C1-R5	WA-P5-C1-R5	WB-P6-C1-R5	WB-P6-C1-R5
24	WA-P1-C1-R5	WA-P1-C1-R5	WA-P2-C1-R5	WA-P4-C1-R5	WA-P5-C1-R5	WB-P6-C1-R5	WB-P6-C1-R5

LOAD: 80 PSF / V3s 90 MPH WIND LOAD EXP. B 2012 IRC

LOAD: 80 PSF / Vult 118 MPH WIND LOAD EXP. B (2012) IBC, (2015) (2018) (2021) IBC/IRC & (2019)/(2022) CBC

WALL & ROOF FRAMING CONFIGURATION							
PROJECTION, FT.	FRONT WALL LENGTH, FT.						
	12'	14'	16'	18'	20'	22'	24'
10	WA-P1-C1-R1	WA-P2-C1-R1	WA-P4-C1-R1	WA-P6-C1-R2	WA-P6-C1-R3	WB-P7-C1-R3	WB-P7-C1-R3
11	WA-P1-C1-R1	WA-P2-C1-R2	WA-P4-C1-R3	WA-P6-C1-R3	WA-P6-C1-R3	WB-P7-C1-R3	WB-P7-C1-R3
12	WA-P1-C1-R2	WA-P2-C1-R3	WA-P4-C1-R3	WA-P6-C1-R3	WA-P6-C1-R3	WB-P7-C1-R3	WB-P7-C1-R3
13	WA-P1-C1-R2	WA-P2-C1-R3	WA-P4-C1-R3	WA-P6-C1-R3	WA-P6-C1-R3	WB-P7-C1-R3	WB-P7-C1-R4
14	WA-P1-C1-R3	WA-P2-C1-R3	WA-P4-C1-R3	WA-P6-C1-R3	WA-P6-C1-R4	WB-P7-C1-R4	WB-P7-C1-R4
16	WA-P1-C1-R3	WA-P2-C1-R3	WA-P4-C1-R4	WA-P6-C1-R4	WA-P6-C1-R5	WB-P7-C1-R5	WB-P7-C1-R5
18	WA-P1-C1-R4	WA-P2-C1-R4	WA-P4-C1-R5	WA-P6-C1-R5	WA-P6-C1-R5	WB-P7-C1-R5	WB-P7-C1-R5
20	WA-P1-C1-R4	WA-P2-C1-R5	WA-P4-C1-R5	WA-P6-C1-R5	WA-P6-C1-R5	WB-P7-C1-R5	WB-P7-C1-R5
22	WA-P1-C1-R5	WA-P2-C1-R5	WA-P4-C1-R5	WA-P6-C1-R5	WA-P6-C1-R5	WB-P7-C1-R5	WB-P7-C1-R5
24	WA-P1-C1-R5	WA-P2-C1-R5	WA-P4-C1-R5	WA-P6-C1-R5	WA-P6-C1-R5	WB-P7-C1-R5	WB-P7-C1-R5

CONNECTION OPTIONS							
OPTION	SILL TO FDN	POST TO SILL	EAVE TO POST	PANEL TO EAVE	RIDGE TO PANEL	RIDGE TO POST	RIDGE TO BLDG.
C1	(2) 3/8" DIA. AT EACH POST & 3/8" DIA. AT 16" O.C. MAX.	(8)#8 CORNER POST (6)#8 LITE POST (6)#8 UTILITY POST (4) 3/8" 7BP POST	(8)#8 CORNER POST (6)#8 LITE POST (6)#8 UTILITY POST	#14 @ 9" (FRONT) #14 @ 12" (SIDE)	(6)#8/ PANEL (1) (6)#8/ PANEL (B)	(4) 3/8" RIDGE TO CLIP (4) 3/8" CLIP TO POST	(4) 3/8" RIDGE TO CLIP SEE DRAWING "13"
C2	(2) 3/8" DIA. AT EACH POST & 3/8" DIA. AT 16" O.C. MAX.	(8)#10 CORNER POST (6)#10 LITE POST (6)#10 UTILITY POST (4) 3/8" 7BP POST	(8)#10 CORNER POST (6)#10 LITE POST (6)#10 UTILITY POST	1/4" @ 9" (FRONT) 1/4" @ 12" (SIDE) (HIGH WIND CONDITION)	(6)#10/ PANEL (1) (6)#10/ PANEL (B)	(4) 3/8" RIDGE TO CLIP (4) 3/8" CLIP TO POST	(6) 3/8" RIDGE TO CLIP SEE DRAWING "13"

(8) ROOF PANEL SELECTION	
P1	SEE SEPARATE EVALUATION REPORT FOR ALL ROOF PANEL SIZING
P2	
P3	
P4	
P5	
P6	
P7	
(9) RIDGE BEAM SELECTION	
R1	7TB
R2	7TB WITH STEEL TUBE INSERT
R3	12LW
R4	12LW-4R5B
R5	STEEL BY OTHERS

Vult 118 MPH

Projection ft 14 -top left box

Connection Options C1

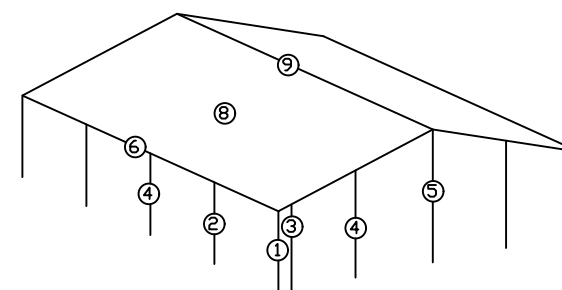
Roof Panel Selection P1

Ridge Beam Selection R1

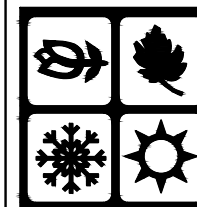
Wall Framing Option WA

WALL FRAMING OPTIONS							
OPTION	DESIGNATION						
	(1)	(2)	(3)	(4)	(5)	(6)	(7)
WA	CORNER COLUMN	LITE "H"	LITE "H"	UTILITY "H"	UTILITY "H"/7BP	ADJUSTABLE EAVE	UTILITY EAVE
WB	CORNER COLUMN	LITE "H"/4R5B	LITE "H"	UTILITY "H"/7BP	UTILITY "H"/7BP	ADJUSTABLE EAVE	UTILITY EAVE

- Notes:
- The ultimate (Vult) wind loading are as per 2012 IBC, 2015/2018/2021 IBC/IRC and 2019/2022 CBC.
 - The V-3s wind loading are as per 2012 IRC.
 - Shaded areas represents that steel ridge beam and post (to be designed by others) is required.
 - H-beams to be 74RB.
 - aluminum alloy is 6005-t5, panel alloy is 3105-H25.
 - This summary pertains to the structural integrity of our unit up to, but not including, the connections to the existing structure and/or any new construction. All substructure design requirements, and connections to the existing structure are not included in the scope of work for the four seasons product and must be designed by a local design professional.
 - The values indicated on the chart are for uniform loads and do not include special load conditions created by attachment to the existing structure. These may include snow drifting or unbalanced snow loading. Any special load conditions must be evaluated by a local design professional.



FOUR SEASONS SOLAR PRODUCTS, LLC.
5005 VETERANS MEMORIAL HIGHWAY
HOLBROOK, NEW YORK 11741
DESIGNERS AND MANUFACTURERS
OF FOUR SEASONS SUNROOMS

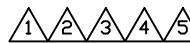


DRAWING TITLE
230 SUN & SHADE CATHEDRAL
90 MPH LOAD CHARTS

REV. No.	DATE	BY
1	2-18-14	RD
2	12-31-15	RD
3	10-1-18	RD
4	9-24-19	RD
5	7-18-22	RD

REVIEWED BY: AS
DWG. BY: RD
DATE: 1-10-11

JOB#:
SHADECATH-20

FOUR SEASONS SUNROOMS 230 SUN & SHADE CATHEDRAL DESIGN
 V3s 110 MPH WIND LOAD EXP. C 2012 IRC
 Vult 140 MPH WIND LOAD EXP. C (2012) IBC, (2015) (2018) (2021) IBC/IRC & 2019/2022 CBC

IAPMO
UES ER-110

LOAD: 20 PSF / V3s 110 MPH WIND LOAD EXP. C 2012 IRC
 LOAD: 20 PSF / Vult 140 MPH WIND LOAD EXP. C (2012) IBC, (2015) (2018) (2021) IBC/IRC & (2019)/(2022) CBC

ROOF PITCH : 4 ON 12

LOAD: 60 PSF / V3s 110 MPH WIND LOAD EXP. C 2012 IRC
 LOAD: 60 PSF / Vult 140 MPH WIND LOAD EXP. C (2012) IBC, (2015) (2018) (2021) IBC/IRC & (2019)/(2022) CBC

WALL & ROOF FRAMING CONFIGURATION							
PROJECTION, FT.	FRONT WALL LENGTH, FT.						
	12'	14'	16'	18'	20'	22'	24'
10	WA-PI-CI-R1	WA-PI-CI-R1	WA-PI-CI-R1	WA-PI-CI-R1	WA-PI-CI-R1	WA-PI-CI-R1	WA-P2-CI-R1
11	WA-PI-CI-R1	WA-PI-CI-R1	WA-PI-CI-R1	WA-PI-CI-R1	WA-PI-CI-R1	WA-PI-CI-R1	WA-P2-CI-R1
12	WA-PI-CI-R1	WA-PI-CI-R1	WA-PI-CI-R1	WA-PI-CI-R1	WA-PI-CI-R1	WA-PI-CI-R1	WA-P2-CI-R1
13	WA-PI-CI-R1	WA-PI-CI-R1	WA-PI-CI-R1	WA-PI-CI-R1	WA-PI-CI-R1	WA-PI-CI-R1	WA-P2-CI-R1
14	WA-PI-CI-R1	WA-PI-CI-R1	WA-PI-CI-R1	WA-PI-CI-R1	WA-PI-CI-R1	WA-PI-CI-R1	WA-P2-CI-R2
16	WA-PI-CI-R1	WA-PI-CI-R1	WA-PI-CI-R2	WA-PI-CI-R2	WA-PI-CI-R2	WA-PI-CI-R2	WA-P2-CI-R3
18	WA-PI-CI-R2	WA-PI-CI-R2	WA-PI-CI-R2	WA-PI-CI-R3	WA-PI-CI-R3	WA-PI-CI-R3	WA-P2-CI-R3
20	WA-PI-CI-R3	WA-PI-CI-R3	WA-PI-CI-R3	WA-PI-CI-R3	WA-PI-CI-R3	WA-PI-CI-R3	WA-P2-CI-R3
22	WA-PI-CI-R3	WA-PI-CI-R3	WA-PI-CI-R3	WA-PI-CI-R3	WA-PI-CI-R3	WA-PI-CI-R3	WA-P2-CI-R4
24	WA-PI-CI-R3	WA-PI-CI-R3	WA-PI-CI-R3	WA-PI-CI-R4	WA-PI-CI-R4	WA-PI-CI-R4	WA-P2-CI-R4

WALL & ROOF FRAMING CONFIGURATION							
PROJECTION, FT.	FRONT WALL LENGTH, FT.						
	12'	14'	16'	18'	20'	22'	24'
10	WA-PI-CI-R1	WA-PI-CI-R1	WA-P2-CI-R1	WA-P4-CI-R1	WA-P5-CI-R1	WB-P6-CI-R1	WB-P6-CI-R2
11	WA-PI-CI-R1	WA-PI-CI-R1	WA-P2-CI-R1	WA-P4-CI-R2	WA-P5-CI-R2	WB-P6-CI-R3	WB-P6-CI-R3
12	WA-PI-CI-R1	WA-PI-CI-R2	WA-P2-CI-R2	WA-P4-CI-R3	WA-P5-CI-R3	WB-P6-CI-R3	WB-P6-CI-R3
13	WA-PI-CI-R2	WA-PI-CI-R2	WA-P2-CI-R3	WA-P4-CI-R3	WA-P5-CI-R3	WB-P6-CI-R3	WB-P6-CI-R3
14	WA-PI-CI-R2	WA-PI-CI-R3	WA-P2-CI-R3	WA-P4-CI-R3	WA-P5-CI-R3	WB-P6-CI-R3	WB-P6-CI-R3
16	WA-PI-CI-R3	WA-PI-CI-R3	WA-P2-CI-R3	WA-P4-CI-R3	WA-P5-CI-R4	WB-P6-CI-R4	WB-P6-CI-R4
18	WA-PI-CI-R3	WA-PI-CI-R3	WA-P2-CI-R4	WA-P4-CI-R4	WA-P5-CI-R5	WB-P6-CI-R5	WB-P6-CI-R5
20	WA-PI-CI-R4	WA-PI-CI-R4	WA-P2-CI-R4	WA-P4-CI-R5	WA-P5-CI-R5	WB-P6-CI-R5	WB-P6-CI-R5
22	WA-PI-CI-R4	WA-PI-CI-R5	WA-P2-CI-R5	WA-P4-CI-R5	WA-P5-CI-R5	WB-P6-CI-R5	WB-P6-CI-R5
24	WA-PI-CI-R5	WA-PI-CI-R5	WA-P2-CI-R5	WA-P4-CI-R5	WA-P5-CI-R5	WB-P6-CI-R5	WB-P6-CI-R5

LOAD: 40 PSF / V3s 110 MPH WIND LOAD EXP. C 2012 IRC
 LOAD: 40 PSF / Vult 140 MPH WIND LOAD EXP. C (2012) IBC, (2015) (2018) (2021) IBC/IRC & (2019)/(2022) CBC

LOAD: 80 PSF / V3s 110 MPH WIND LOAD EXP. C 2012 IRC
 LOAD: 80 PSF / Vult 140 MPH WIND LOAD EXP. C (2012) IBC, (2015) (2018) (2021) IBC/IRC & (2019)/(2022) CBC

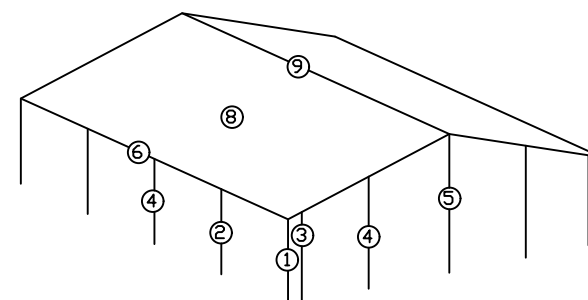
WALL & ROOF FRAMING CONFIGURATION							
PROJECTION, FT.	FRONT WALL LENGTH, FT.						
	12'	14'	16'	18'	20'	22'	24'
10	WA-PI-CI-R1	WA-PI-CI-R1	WA-PI-CI-R1	WA-P2-CI-R1	WA-P3-CI-R1	WA-P4-CI-R1	WA-P5-CI-R1
11	WA-PI-CI-R1	WA-PI-CI-R1	WA-PI-CI-R1	WA-P2-CI-R1	WA-P3-CI-R1	WA-P4-CI-R1	WA-P5-CI-R1
12	WA-PI-CI-R1	WA-PI-CI-R1	WA-PI-CI-R1	WA-P2-CI-R1	WA-P3-CI-R2	WA-P4-CI-R2	WA-P5-CI-R2
13	WA-PI-CI-R1	WA-PI-CI-R1	WA-PI-CI-R2	WA-P2-CI-R2	WA-P3-CI-R2	WA-P4-CI-R3	WA-P5-CI-R3
14	WA-PI-CI-R1	WA-PI-CI-R2	WA-PI-CI-R2	WA-P2-CI-R2	WA-P3-CI-R3	WA-P4-CI-R3	WA-P5-CI-R3
16	WA-PI-CI-R2	WA-PI-CI-R3	WA-PI-CI-R3	WA-P2-CI-R3	WA-P3-CI-R3	WA-P4-CI-R3	WA-P5-CI-R3
18	WA-PI-CI-R3	WA-PI-CI-R3	WA-PI-CI-R3	WA-P2-CI-R3	WA-P3-CI-R3	WA-P4-CI-R3	WA-P5-CI-R4
20	WA-PI-CI-R3	WA-PI-CI-R3	WA-PI-CI-R3	WA-P2-CI-R4	WA-P3-CI-R4	WA-P4-CI-R4	WA-P5-CI-R5
22	WA-PI-CI-R3	WA-PI-CI-R4	WA-PI-CI-R4	WA-P2-CI-R4	WA-P3-CI-R5	WA-P4-CI-R5	WA-P5-CI-R5
24	WA-PI-CI-R4	WA-PI-CI-R4	WA-PI-CI-R4	WA-P2-CI-R5	WA-P3-CI-R5	WA-P4-CI-R5	WA-P5-CI-R5

WALL & ROOF FRAMING CONFIGURATION							
PROJECTION, FT.	FRONT WALL LENGTH, FT.						
	12'	14'	16'	18'	20'	22'	24'
10	WA-PI-CI-R1	WA-P2-CI-R1	WA-P4-CI-R1	WA-P6-CI-R2	WA-P6-CI-R3	WB-P7-CI-R3	WB-P7-CI-R3
11	WA-PI-CI-R1	WA-P2-CI-R2	WA-P4-CI-R3	WA-P6-CI-R2	WA-P6-CI-R3	WB-P7-CI-R3	WB-P7-CI-R3
12	WA-PI-CI-R2	WA-P2-CI-R3	WA-P4-CI-R3	WA-P6-CI-R3	WA-P6-CI-R3	WB-P7-CI-R3	WB-P7-CI-R3
13	WA-PI-CI-R3	WA-P2-CI-R3	WA-P4-CI-R3	WA-P6-CI-R3	WA-P6-CI-R3	WB-P7-CI-R3	WB-P7-CI-R4
14	WA-PI-CI-R3	WA-P2-CI-R3	WA-P4-CI-R3	WA-P6-CI-R3	WA-P6-CI-R4	WB-P7-CI-R4	WB-P7-CI-R4
16	WA-PI-CI-R3	WA-P2-CI-R3	WA-P4-CI-R4	WA-P6-CI-R4	WA-P6-CI-R5	WB-P7-CI-R5	WB-P7-CI-R5
18	WA-PI-CI-R4	WA-P2-CI-R4	WA-P4-CI-R5	WA-P6-CI-R5	WA-P6-CI-R5	WB-P7-CI-R5	WB-P7-CI-R5
20	WA-PI-CI-R4	WA-P2-CI-R5	WA-P4-CI-R5	WA-P6-CI-R5	WA-P6-CI-R5	WB-P7-CI-R5	WB-P7-CI-R5
22	WA-PI-CI-R5	WA-P2-CI-R5	WA-P4-CI-R5	WA-P6-CI-R5	WA-P6-CI-R5	WB-P7-CI-R5	WB-P7-CI-R5
24	WA-PI-CI-R5	WA-P2-CI-R5	WA-P4-CI-R5	WA-P6-CI-R5	WA-P6-CI-R5	WB-P7-CI-R5	WB-P7-CI-R5

CONNECTION OPTIONS							
OPTION	SILL TO FDN	POST TO SILL	EAVE TO POST	PANEL TO EAVE	RIDGE TO PANEL	RIDGE TO POST	RIDGE TO BLDG.
C1	(2) 3/8" DIA. AT EACH POST & 3/8" DIA. AT 16" O.C. MAX.	(8)#8 CORNER POST (6)#8 LITE POST (6)#8 UTILITY POST (4) 3/8" 7BP POST	(8)#8 CORNER POST (6)#8 LITE POST (6)#8 UTILITY POST	#14 @ 9" (FRONT) #14 @ 12" (SIDE)	(6)#8/ PANEL (T) (6)#8/ PANEL (B)	(4) 3/8" RIDGE TO CLIP (4) 3/8" CLIP TO POST	(4) 3/8" RIDGE TO CLIP SEE DRAWING "13"
C2	(2) 3/8" DIA. AT EACH POST & 3/8" DIA. AT 16" O.C. MAX.	(8)#10 CORNER POST (6)#10 LITE POST (6)#10 UTILITY POST (4) 3/8" 7BP POST	(8)#10 CORNER POST (6)#10 LITE POST (6)#10 UTILITY POST	1/4" @ 9" (FRONT) 1/4" @ 12" (SIDE) (HIGH WIND CONDITION)	(6)#10/ PANEL (T) (6)#10/ PANEL (B)	(4) 3/8" RIDGE TO CLIP (4) 3/8" CLIP TO POST	(6) 3/8" RIDGE TO CLIP SEE DRAWING "13"

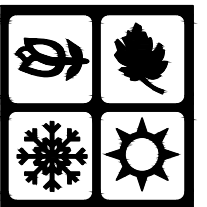
(8) ROOF PANEL SELECTION	
P1	SEE SEPARATE EVALUATION REPORT FOR ALL ROOF PANEL SIZING
P2	
P3	
P4	
P5	
P6	
P7	
(9) RIDGE BEAM SELECTION	
R1	7TB
R2	7TB WITH STEEL TUBE INSERT
R3	12LW
R4	12LW-4R5B
R5	STEEL BY OTHERS

WALL FRAMING OPTIONS							
OPTION	DESIGNATION						
	(1)	(2)	(3)	(4)	(5)	(6)	(7)
WA	CORNER COLUMN	LITE "H"	LITE "H"	UTILITY "H"	UTILITY "H"/7BP	ADJUSTABLE EAVE	UTILITY EAVE
WB	CORNER COLUMN	LITE "H"/4R5B	LITE "H"	UTILITY "H"/7BP	UTILITY "H"/7BP	ADJUSTABLE EAVE	UTILITY EAVE



- Notes:
- The ultimate (Vult) wind loading are as per 2012 IBC, 2015/2018/2021 IBC/IRC and 2019/2022 CBC.
 - The V-3s wind loading are as per 2012 IRC.
 - Shaded areas represents that steel ridge beam and post (to be designed by others) is required.
 - H-beams to be 74RB.
 - aluminum alloy is 6005-t5, panel alloy is 3105-H25.
 - This summary pertains to the structural integrity of our unit up to, but not including, the connections to the existing structure and/or any new construction. All substructure design requirements, and connections to the existing structure are not included in the scope of work for the four seasons product and must be designed by a local design professional.
 - The values indicated on the chart are for uniform loads and do not include special load conditions created by attachment to the existing structure. These may include snow drifting or unbalanced snow loading. Any special loading conditions must be evaluated by a local design professional.

FOUR SEASONS SOLAR PRODUCTS, LLC.
 5005 VETERANS MEMORIAL HIGHWAY
 HOLBROOK, NEW YORK 11741
 DESIGNERS AND MANUFACTURERS
 OF FOUR SEASONS SUNROOMS



DRAWING TITLE
 230 SUN & SHADE CATHEDRAL
 110 MPH LOAD CHARTS

REV. No.	DATE	BY
1	2-18-14	RD
2	12-31-15	RD
3	10-1-18	RD
4	9-24-19	RD
5	7-18-22	RD

REVIEWED BY: AS
 DWG. BY: RD
 DATE: 1-10-11

JOB#:
SHADECATH-21

FOUR SEASONS SUNROOMS 230 SUN & SHADE CATHEDRAL DESIGN
 V3s 120 MPH WIND LOAD EXP. C 2012 IRC
 Vult 150 MPH WIND LOAD EXP. C (2012) IBC, (2015) (2018) (2021) & 2019/2022 CBC

IAPMO
UES ER-110

LOAD: 20 PSF / V3s 120 MPH WIND LOAD EXP. C 2012 IRC
 LOAD: 20 PSF / Vult 150 MPH WIND LOAD EXP. C (2012) IBC, (2015) (2018) (2021) IBC/IRC & (2019)/(2022) CBC

ROOF PITCH : 4 ON 12

LOAD: 40 PSF / V3s 120 MPH WIND LOAD EXP. C 2012 IRC
 LOAD: 40 PSF / Vult 150 MPH WIND LOAD EXP. C (2012) IBC, (2015) (2018) (2021) IBC/IRC & (2019)/(2022) CBC

WALL & ROOF FRAMING CONFIGURATION							
PROJECTION, FT.	FRONT WALL LENGTH, FT.						
	12'	14'	16'	18'	20'	22'	24'
10	WB-P1-C2-R1	WB-P1-C2-R1	WB-P1-C2-R1	WB-P1-C2-R1	WB-P2-C2-R1	WB-P3-C2-R1	WB-P4-C2-R1
11	WB-P1-C2-R1	WB-P1-C2-R1	WB-P1-C2-R1	WB-P1-C2-R1	WB-P2-C2-R1	WB-P3-C2-R1	WB-P4-C2-R1
12	WB-P1-C2-R1	WB-P1-C2-R1	WB-P1-C2-R1	WB-P1-C2-R1	WB-P2-C2-R1	WB-P3-C2-R1	WB-P4-C2-R1
13	WB-P1-C2-R1	WB-P1-C2-R1	WB-P1-C2-R1	WB-P1-C2-R1	WB-P2-C2-R2	WB-P3-C2-R2	WB-P4-C2-R2
14	WB-P1-C2-R1	WB-P1-C2-R1	WB-P1-C2-R2	WB-P1-C2-R2	WB-P2-C2-R2	WB-P3-C2-R2	WB-P4-C2-R2
16	WB-P1-C2-R2	WB-P1-C2-R2	WB-P1-C2-R2	WB-P1-C2-R3	WB-P2-C2-R3	WB-P3-C2-R3	WB-P4-C2-R3
18	WB-P1-C2-R3	WB-P1-C2-R3	WB-P1-C2-R3	WB-P1-C2-R3	WB-P2-C2-R3	WB-P3-C2-R3	WB-P4-C2-R3
20	WB-P1-C2-R3	WB-P1-C2-R3	WB-P1-C2-R3	WB-P1-C2-R3	WB-P2-C2-R3	WB-P3-C2-R4	WB-P4-C2-R4
22	WB-P1-C2-R3	WB-P1-C2-R3	WB-P1-C2-R4	WB-P1-C2-R4	WB-P2-C2-R4	WB-P3-C2-R4	WB-P4-C2-R4
24	WB-P1-C2-R3	WB-P1-C2-R4	WB-P1-C2-R4	WB-P1-C2-R4	WB-P2-C2-R5	WB-P3-C2-R5	WB-P4-C2-R5

WALL & ROOF FRAMING CONFIGURATION							
PROJECTION, FT.	FRONT WALL LENGTH, FT.						
	12'	14'	16'	18'	20'	22'	24'
10	WB-P1-C2-R1	WB-P1-C2-R1	WB-P1-C2-R1	WB-P2-C2-R1	WB-P3-C2-R1	WB-P4-C2-R1	WB-P5-C2-R1
11	WB-P1-C2-R1	WB-P1-C2-R1	WB-P1-C2-R1	WB-P2-C2-R1	WB-P3-C2-R1	WB-P4-C2-R1	WB-P5-C2-R1
12	WB-P1-C2-R1	WB-P1-C2-R1	WB-P1-C2-R1	WB-P2-C2-R1	WB-P3-C2-R2	WB-P4-C2-R2	WB-P5-C2-R2
13	WB-P1-C2-R1	WB-P1-C2-R1	WB-P1-C2-R2	WB-P2-C2-R2	WB-P3-C2-R2	WB-P4-C2-R3	WB-P5-C2-R3
14	WB-P1-C2-R1	WB-P1-C2-R2	WB-P1-C2-R2	WB-P2-C2-R2	WB-P3-C2-R2	WB-P4-C2-R3	WB-P5-C2-R3
16	WB-P1-C2-R2	WB-P1-C2-R3	WB-P1-C2-R3	WB-P2-C2-R3	WB-P3-C2-R3	WB-P4-C2-R3	WB-P5-C2-R3
18	WB-P1-C2-R3	WB-P1-C2-R3	WB-P1-C2-R3	WB-P2-C2-R3	WB-P3-C2-R3	WB-P4-C2-R3	WB-P5-C2-R4
20	WB-P1-C2-R3	WB-P1-C2-R3	WB-P1-C2-R3	WB-P2-C2-R3	WB-P3-C2-R4	WB-P4-C2-R4	WB-P5-C2-R5
22	WB-P1-C2-R3	WB-P1-C2-R4	WB-P1-C2-R4	WB-P2-C2-R4	WB-P3-C2-R5	WB-P4-C2-R5	WB-P5-C2-R5
24	WB-P1-C2-R4	WB-P1-C2-R4	WB-P1-C2-R4	WB-P2-C2-R5	WB-P3-C2-R5	WB-P4-C2-R5	WB-P5-C2-R5

LOAD: 30 PSF / V3s 120 MPH WIND LOAD EXP. C 2012 IRC
 LOAD: 30 PSF / Vult 150 MPH WIND LOAD EXP. C (2012) IBC, (2015) (2018) (2021) IBC/IRC & (2019)/(2022) CBC

LOAD: 50 PSF / V3s 120 MPH WIND LOAD EXP. C 2012 IRC
 LOAD: 50 PSF / Vult 150 MPH WIND LOAD EXP. C (2012) IBC, (2015) (2018) (2021) IBC/IRC & (2019)/(2022) CBC

WALL & ROOF FRAMING CONFIGURATION							
PROJECTION, FT.	FRONT WALL LENGTH, FT.						
	12'	14'	16'	18'	20'	22'	24'
10	WB-P1-C2-R1	WB-P1-C2-R1	WB-P1-C2-R1	WB-P1-C2-R1	WB-P2-C2-R1	WB-P3-C2-R1	WB-P4-C2-R1
11	WB-P1-C2-R1	WB-P1-C2-R1	WB-P1-C2-R1	WB-P1-C2-R1	WB-P2-C2-R1	WB-P3-C2-R1	WB-P4-C2-R1
12	WB-P1-C2-R1	WB-P1-C2-R1	WB-P1-C2-R1	WB-P1-C2-R1	WB-P2-C2-R1	WB-P3-C2-R1	WB-P4-C2-R1
13	WB-P1-C2-R1	WB-P1-C2-R1	WB-P1-C2-R1	WB-P1-C2-R1	WB-P2-C2-R2	WB-P3-C2-R2	WB-P4-C2-R2
14	WB-P1-C2-R1	WB-P1-C2-R1	WB-P1-C2-R2	WB-P1-C2-R2	WB-P2-C2-R2	WB-P3-C2-R2	WB-P4-C2-R2
16	WB-P1-C2-R2	WB-P1-C2-R2	WB-P1-C2-R2	WB-P1-C2-R3	WB-P2-C2-R3	WB-P3-C2-R3	WB-P4-C2-R3
18	WB-P1-C2-R3	WB-P1-C2-R3	WB-P1-C2-R3	WB-P1-C2-R3	WB-P2-C2-R3	WB-P3-C2-R3	WB-P4-C2-R3
20	WB-P1-C2-R3	WB-P1-C2-R3	WB-P1-C2-R3	WB-P1-C2-R3	WB-P2-C2-R3	WB-P3-C2-R4	WB-P4-C2-R4
22	WB-P1-C2-R3	WB-P1-C2-R3	WB-P1-C2-R4	WB-P1-C2-R4	WB-P2-C2-R4	WB-P3-C2-R4	WB-P4-C2-R4
24	WB-P1-C2-R3	WB-P1-C2-R4	WB-P1-C2-R4	WB-P1-C2-R4	WB-P2-C2-R5	WB-P3-C2-R5	WB-P4-C2-R5

WALL & ROOF FRAMING CONFIGURATION							
PROJECTION, FT.	FRONT WALL LENGTH, FT.						
	12'	14'	16'	18'	20'	22'	24'
10	WB-P1-C2-R1	WB-P1-C2-R1	WB-P2-C2-R1	WB-P3-C2-R1	WB-P4-C2-R1	WB-P5-C2-R1	WB-P6-C2-R1
11	WB-P1-C2-R1	WB-P1-C2-R1	WB-P2-C2-R1	WB-P3-C2-R1	WB-P4-C2-R1	WB-P5-C2-R2	WB-P6-C2-R2
12	WB-P1-C2-R1	WB-P1-C2-R1	WB-P2-C2-R2	WB-P3-C2-R2	WB-P4-C2-R2	WB-P5-C2-R3	WB-P6-C2-R3
13	WB-P1-C2-R1	WB-P1-C2-R2	WB-P2-C2-R2	WB-P3-C2-R3	WB-P4-C2-R3	WB-P5-C2-R3	WB-P6-C2-R3
14	WB-P1-C2-R2	WB-P1-C2-R2	WB-P2-C2-R3	WB-P3-C2-R3	WB-P4-C2-R3	WB-P5-C2-R3	WB-P6-C2-R3
16	WB-P1-C2-R3	WB-P1-C2-R3	WB-P2-C2-R3	WB-P3-C2-R3	WB-P4-C2-R3	WB-P5-C2-R3	WB-P6-C2-R4
18	WB-P1-C2-R3	WB-P1-C2-R3	WB-P2-C2-R3	WB-P3-C2-R3	WB-P4-C2-R4	WB-P5-C2-R4	WB-P6-C2-R5
20	WB-P1-C2-R3	WB-P1-C2-R4	WB-P2-C2-R4	WB-P3-C2-R4	WB-P4-C2-R5	WB-P5-C2-R5	WB-P6-C2-R5
22	WB-P1-C2-R4	WB-P1-C2-R4	WB-P2-C2-R5	WB-P3-C2-R5	WB-P4-C2-R5	WB-P5-C2-R5	WB-P6-C2-R5
24	WB-P1-C2-R4	WB-P1-C2-R5	WB-P2-C2-R5	WB-P3-C2-R5	WB-P4-C2-R5	WB-P5-C2-R5	WB-P6-C2-R5

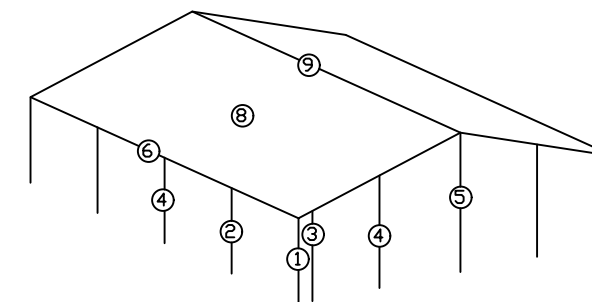
CONNECTION OPTIONS							
OPTION	SILL TO FDN	POST TO SILL	EAVE TO POST	PANEL TO EAVE	RIDGE TO PANEL	RIDGE TO POST	RIDGE TO BLDG.
C1	(2) 3/8" DIA. AT EACH POST & 3/8" DIA. AT 16" O.C. MAX.	(8)#8 CORNER POST (6)#8 LITE POST (6)#8 UTILITY POST (4) 3/8" TBP POST	(8)#8 CORNER POST (6)#8 LITE POST (6)#8 UTILITY POST	#14 @ 9" (FRONT) #14 @ 12" (SIDE)	(6)#8/ PANEL (T) (6)#8/ PANEL (B)	(4) 3/8" RIDGE TO CLIP (4) 3/8" CLIP TO POST	(4) 3/8" RIDGE TO CLIP SEE DRAWING "13"
C2	(2) 3/8" DIA. AT EACH POST & 3/8" DIA. AT 16" O.C. MAX.	(8)#10 CORNER POST (6)#10 LITE POST (6)#10 UTILITY POST (4) 3/8" TBP POST	(8)#10 CORNER POST (6)#10 LITE POST (6)#10 UTILITY POST	1/4" @ 9" (FRONT) 1/4" @ 12" (SIDE) (HIGH WIND CONDITION)	(6)#10/ PANEL (T) (6)#10/ PANEL (B)	(4) 3/8" RIDGE TO CLIP (4) 3/8" CLIP TO POST	(6) 3/8" RIDGE TO CLIP SEE DRAWING "13"

(8) ROOF PANEL SELECTION	
P1	SEE SEPARATE EVALUATION REPORT FOR ALL ROOF PANEL SIZING
P2	
P3	
P4	
P5	
P6	
P7	

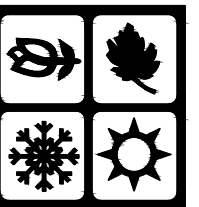
(9) RIDGE BEAM SELECTION	
R1	7TB
R2	7TB WITH STEEL TUBE INSERT
R3	12LW
R4	12LW-4R5B
R5	STEEL BY OTHERS

WALL FRAMING OPTIONS							
OPTION	DESIGNATION						
	(1)	(2)	(3)	(4)	(5)	(6)	(7)
WA	CORNER COLUMN	LITE "H"	LITE "H"	UTILITY "H"	UTILITY "H"/TBP	ADJUSTABLE EAVE	UTILITY EAVE
WB	CORNER COLUMN	LITE "H"/4R5B	LITE "H"	UTILITY "H"/TBP	UTILITY "H"/TBP	ADJUSTABLE EAVE	UTILITY EAVE

- Notes:
- The ultimate (Vult) wind loading are as per 2012 IBC, 2015/2018/2021 IBC/IRC and 2019/2022 CBC.
 - The V-3s wind loading are as per 2012 IRC.
 - Shaded areas represents that steel ridge beam and post (to be designed by others) is required.
 - H-beams to be 74RB.
 - aluminum alloy is 6005-t5, panel alloy is 3105-H25.
 - This summary pertains to the structural integrity of our unit up to, but not including, the connections to the existing structure and/or any new construction. All substructure design requirements, and connections to the existing structure are not included in the scope of work for the four seasons product and must be designed by a local design professional.
 - The values indicated on the chart are for uniform loads and do not include special load conditions created by attachment to the existing structure. These may include snow drifting or unbalanced snow loading. Any special loading conditions must be evaluated by a local design professional.



FOUR SEASONS SOLAR PRODUCTS, LLC.
 5005 VETERANS MEMORIAL HIGHWAY
 HOLBROOK, NEW YORK 11741
 DESIGNERS AND MANUFACTURERS
 OF FOUR SEASONS SUNROOMS



DRAWING TITLE
 230 SUN & SHADE CATHEDRAL
 120 MPH LOAD CHARTS

REV. No.	DATE	BY
1	2-18-14	RD
2	12-31-15	RD
3	10-1-18	RD
4	9-24-19	RD
5	7-18-22	RD

REVIEWED BY: AS
 DWG. BY: RD
 DATE: 1-10-11

JOB#:
 SHADECATH-22